

TUNTURI®

HG80 Home Gym

GB	User manual	19 - 22
DE	Benutzerhandbuch	23 - 26
FR	Manuel de l'utilisateur	27 - 30
NL	Gebruikershandleiding	31 - 34
IT	Manuale d'uso	35 - 38
ES	Manual del usuario	39 - 42
SV	Bruksanvisning	43 - 46
SU	Käyttöohje	47 - 50

TUNTURI®	
HG80 Home Gym	
ITEM NUMBER (SKU) : 17TSHG8000	CE
MAX LOAD WEIGHT : 250 kg/ 550 lbs	i
HOME USE Made in China	
Serial number:	



Attention, Achtung, Attention, Attentie, Attenzione, Atención, Giv akt, Huomio


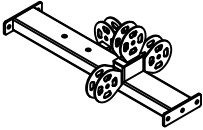
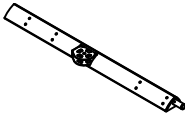
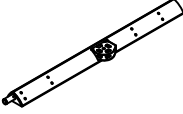

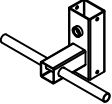

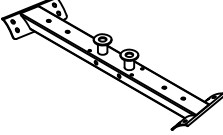
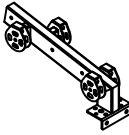

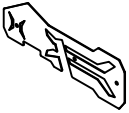
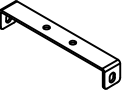


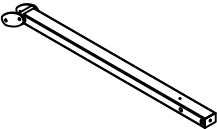


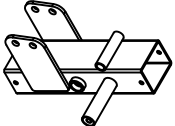
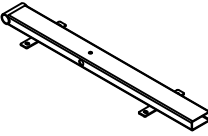
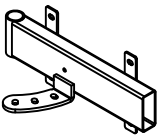
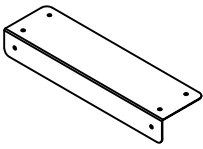






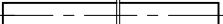
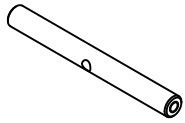

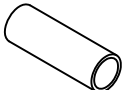
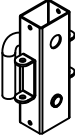
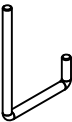
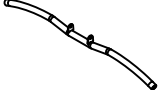
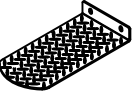



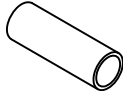
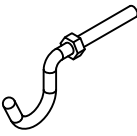
- Please read this Owner's manual before assembling this product.
- Bitte lesen Sie dieses Handbuch durch, bevor Sie mit der Montage dieses Produkts beginnen.
- Veuillez lire ce manuel avant de commencer le montage de ce produit.
- Leest u deze handleiding voordat u dit apparaat installeert.
- Leggere questo manuale prima di assemblare questo prodotto.
- Lea este manual antes de montar este producto
- Läs bruksanvisningen innan du monterar denna produkt
- Lue tämä käsikirja ennen kokoamista tuotetta




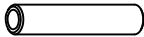

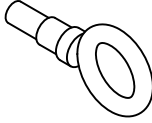




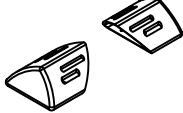






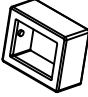



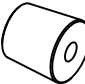



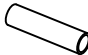
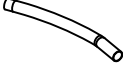
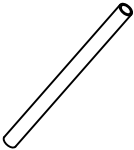
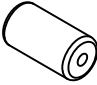




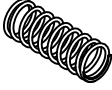
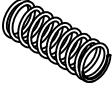
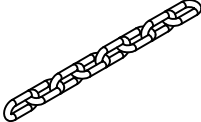
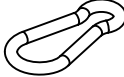
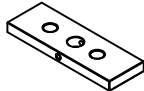
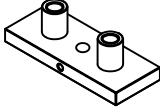
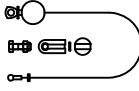
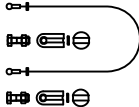

A



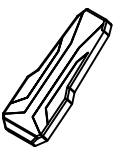
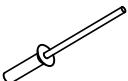
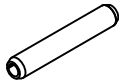





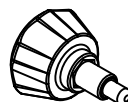


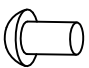
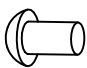
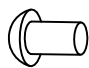
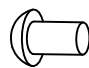
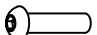
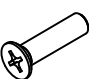

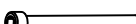

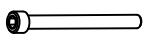
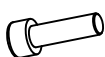
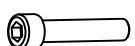
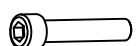
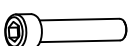
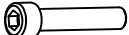
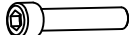
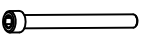
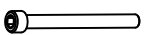
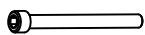
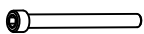
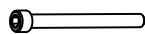
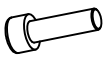
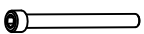
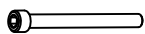
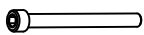
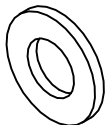



B-1

1 	2 	3 	4 	5 
6 	7 	8 	9 	10 
11 	12 	13 	14 	15 
16 	17 	18 	19 	20 
21 	22 	23 	24 	25 
26 	27 	28 	29 	30 
31 	32 	33 	34 	35 
36 	37 	38 	39 	40 






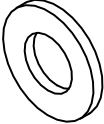
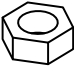


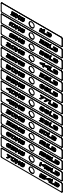
B-2

41 	42 	43 	44 	45 
46 	47 	48 	49 	50 
51 	52 	53 	54 	55 
56 	57 	58 	59 	60 
61 	62 	63 	64 	65 
66 	67 	68 	69 	70 
71 	72 	73 	74 	75 
76 	77 	78 	79 	80 

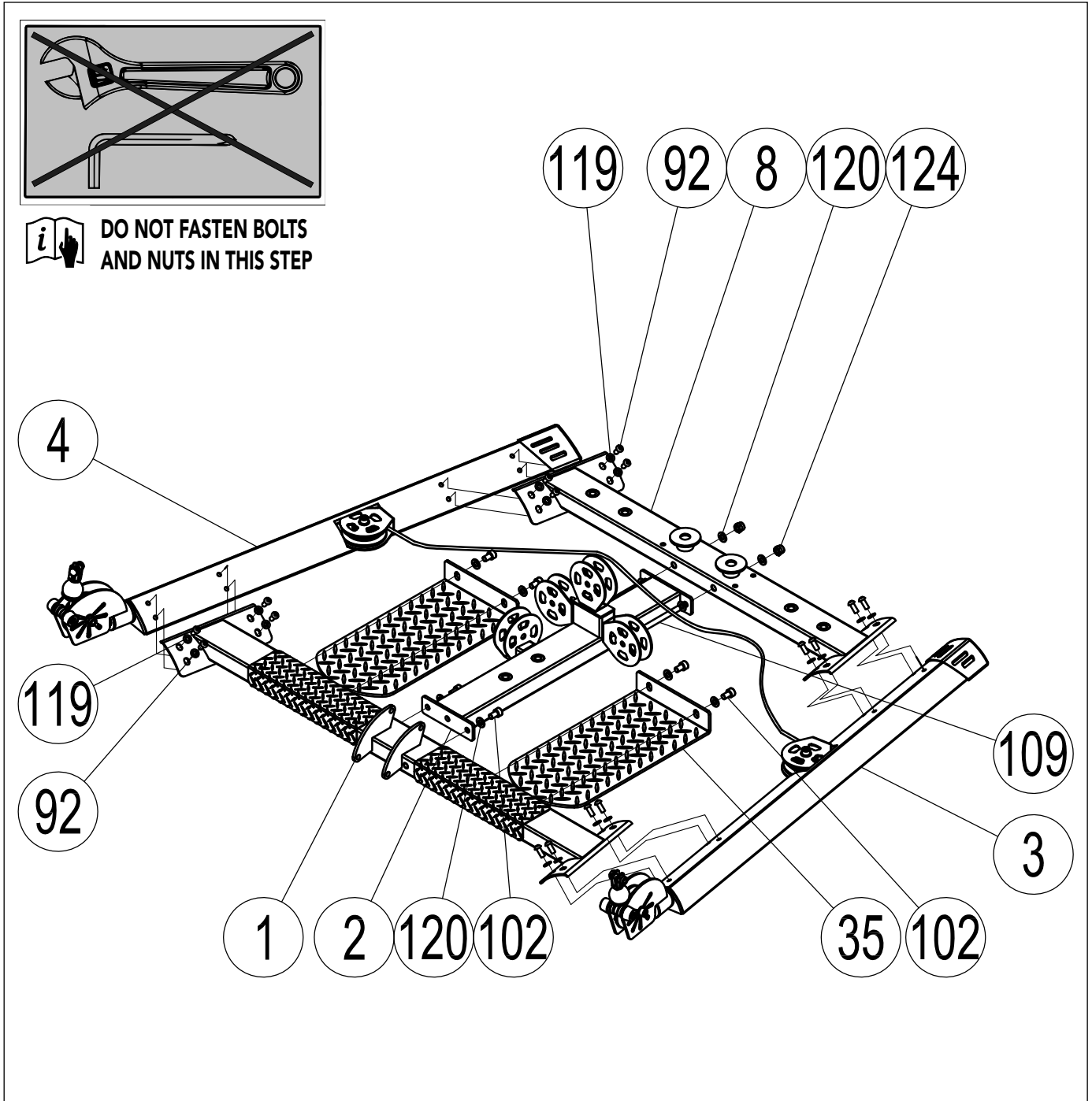
B-3

81 	82 	83 	84 	85 
86 	87 	88 	89 	90 
91 	92 	93 	94 	95 
96 	97 	98 	99 	100 
101 	102 	103 	104 	105 
106 	107 	108 	109 	110 
111 	112 	113 	114 	115 
116 	117 	118 	119 	120 

B-4

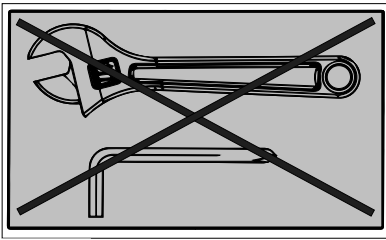
121 	122 	123 	124 	125 
126 	127 	128 	129 	130 

C-1

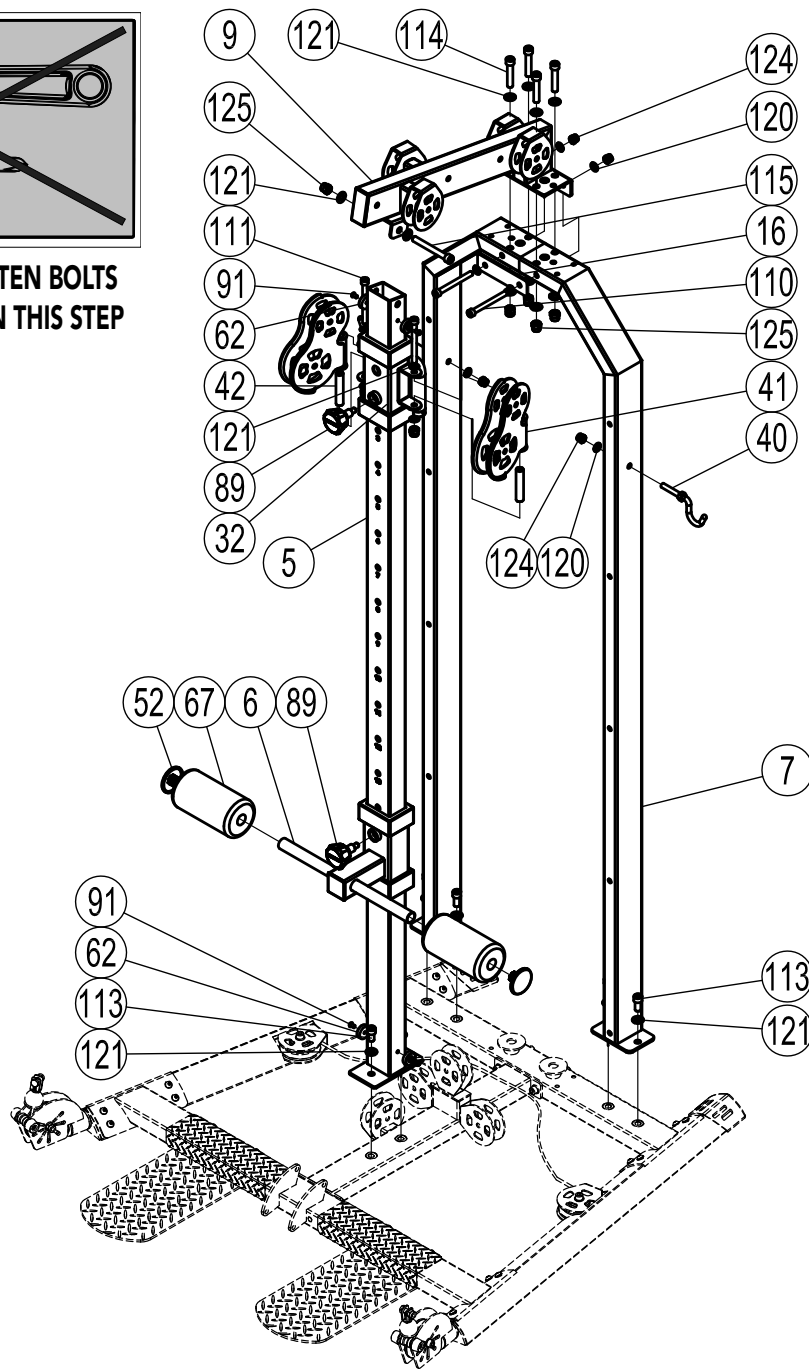


1#		Qty: 1	92#		M8*16	Qty: 16
2#		Qty: 1	102#		M10*25	Qty: 6
3#		Qty: 1	109#		M10*100	Qty: 2
4#		Qty: 1	119#		8	Qty: 16
8#		Qty: 1	120#		10	Qty: 10
35#		Qty: 2	124#		M10	Qty: 2
79#		Qty: 1				

C-2



DO NOT FASTEN BOLTS AND NUTS IN THIS STEP



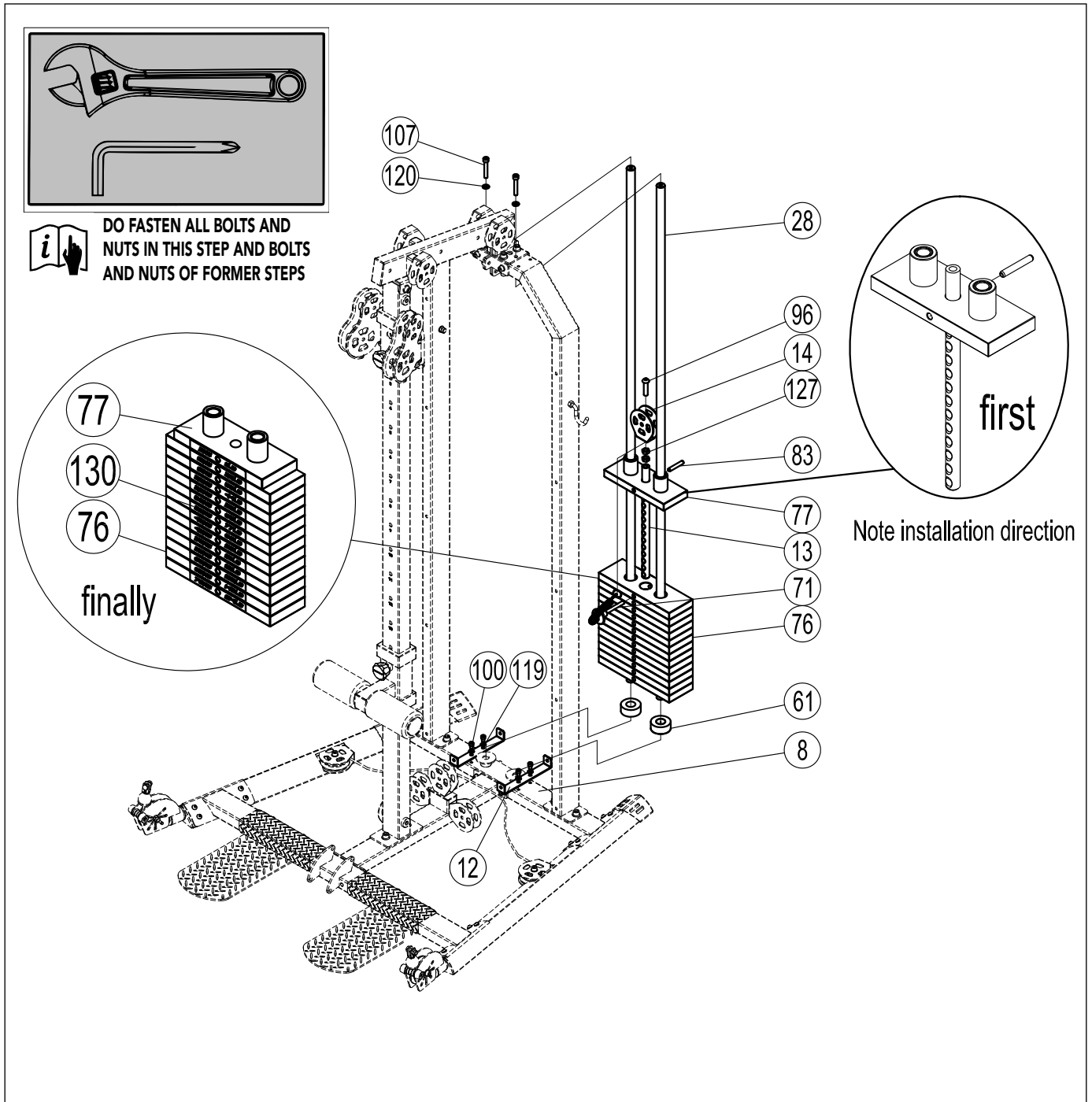
5#		Qty:1
6#		Qty:1
7#		Qty:2
9#		Qty:1
16#		Qty:1
32#		Qty:1
40#		Qty:2
41#		Qty:2

42#		Qty:2
52#		Qty:2
62#		Qty:4
67#		Qty:2
89#		Qty:2

91#		M6*10	Qty:4
110#		M10*103	Qty:2

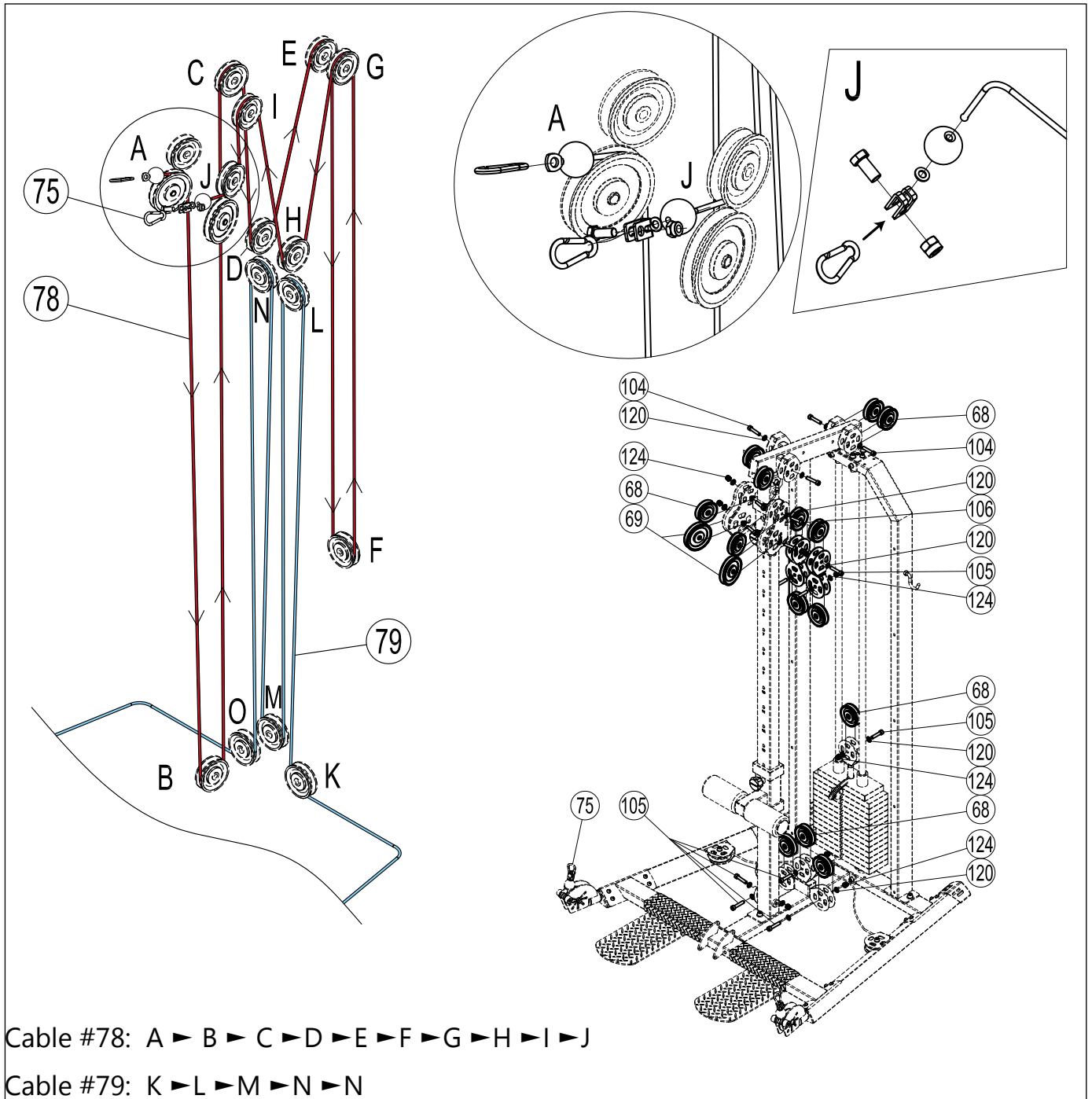
111#		M10*105	Qty:2
113#		M12*25	Qty:6
114#		M12*63	Qty:4
115#		M12*95	Qty:1
120#		10	Qty:10
121#		12	Qty:16
124#		M10	Qty:6
125#		M12	Qty:5

C-3



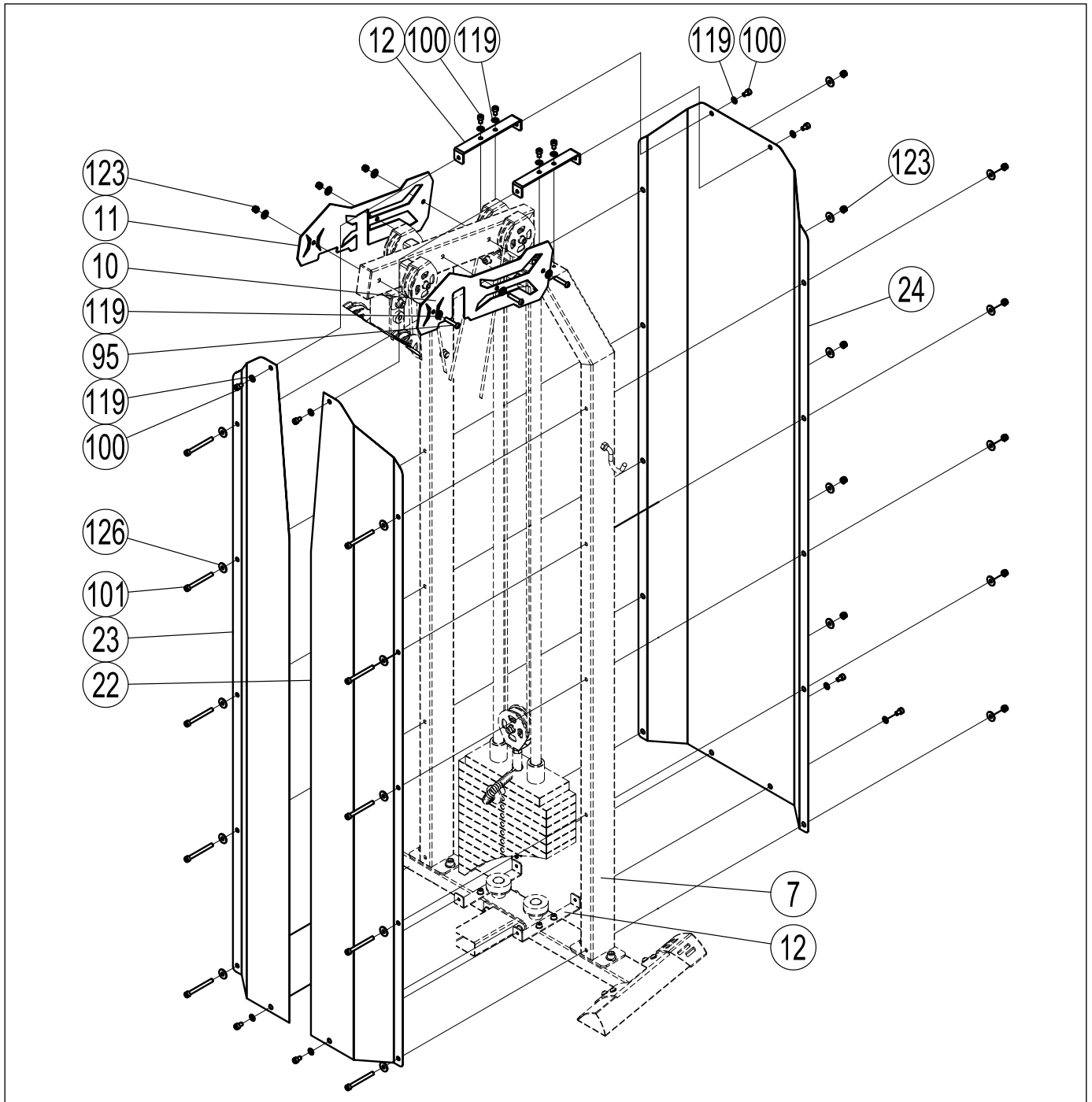
12#		Qty:2	71#		Qty:1	96#		M12*60	Qty:1
13#		Qty:1	76#		Qty:13	100#		M8*16	Qty:4
14#		Qty:1	77#		Qty:1	107#		M10*60	Qty:2
28#		Qty:2	83#		Qty:1	119#		8	Qty:4
61#		Qty:2	130#		Qty:1	120#		10	Qty:2
						127#		M12	Qty:2

C-4



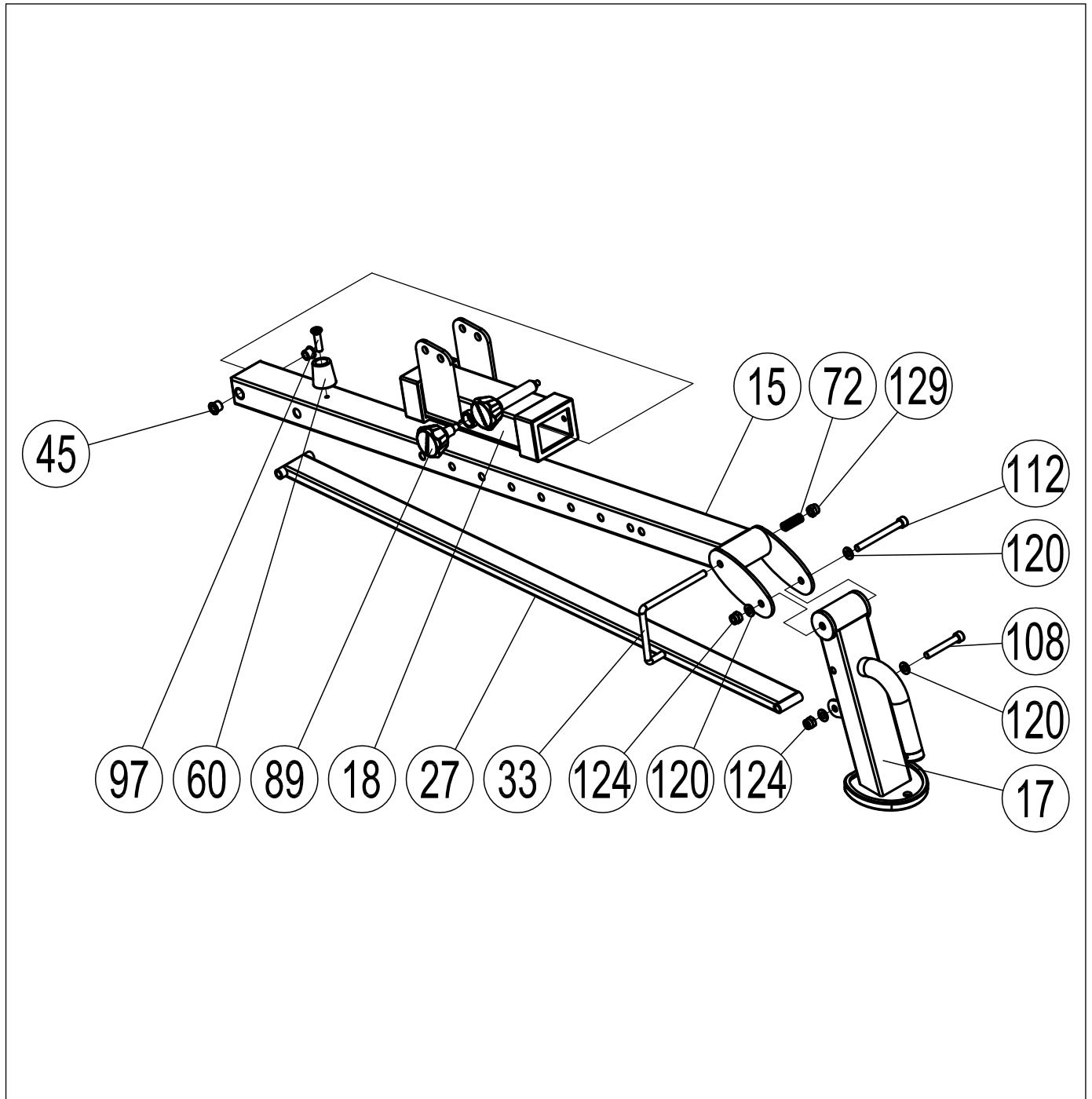
30#		Qty:2	104#		M10*45	Qty:4
68#		Qty:15	105#		M10*48	Qty:9
69#		Qty:2	106#		M10*50	Qty:4
75#		Qty:4	120#		10	Qty:30
78#		Qty:1	124#		M10	Qty:13

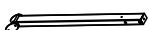




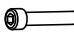


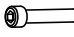



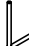


C-5



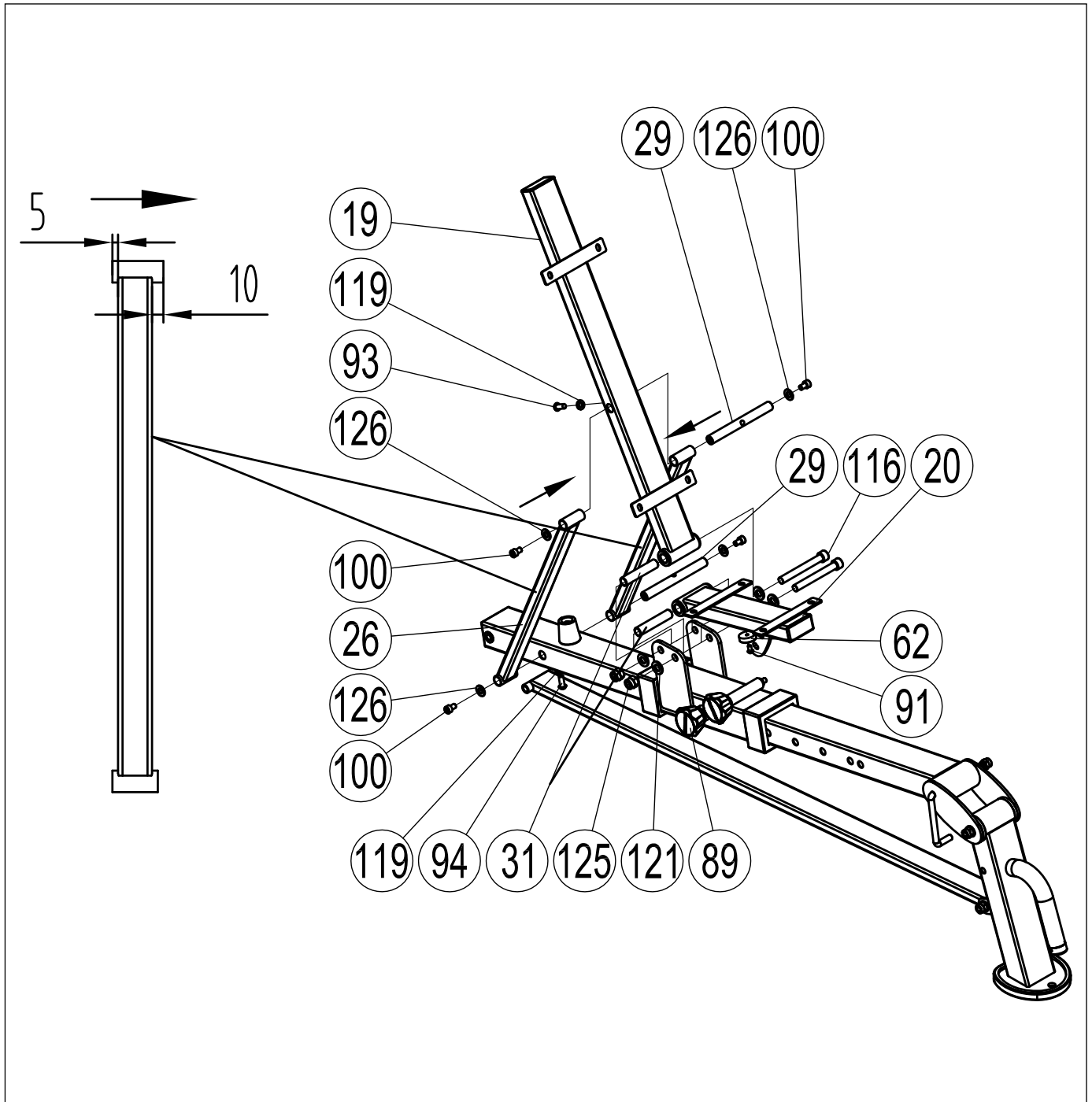
10#		Qty:1	95#		M8*55	Qty:3
11#		Qty:1	100#		M8*16	Qty:12
12#		Qty:2	101#		M8*95	Qty:10
22#		Qty:1	119#		8	Qty:18
23#		Qty:1	123#		M8	Qty:13
24#		Qty:1	126#		big 8	Qty:20

C-6



15#		Qty:1	45#		Qty:2	97#		M10*45	Qty:1
17#		Qty:1	60#		Qty:1	108#		M10*70	Qty:1
18#		Qty:1	72#		Qty:1	112#		M10*110	Qty:1
27#		Qty:1	89#		Qty:1	120#		10	Qty:4
33#		Qty:1				124#		M10	Qty:2
						129#	 white	M10	Qty:1

C-7

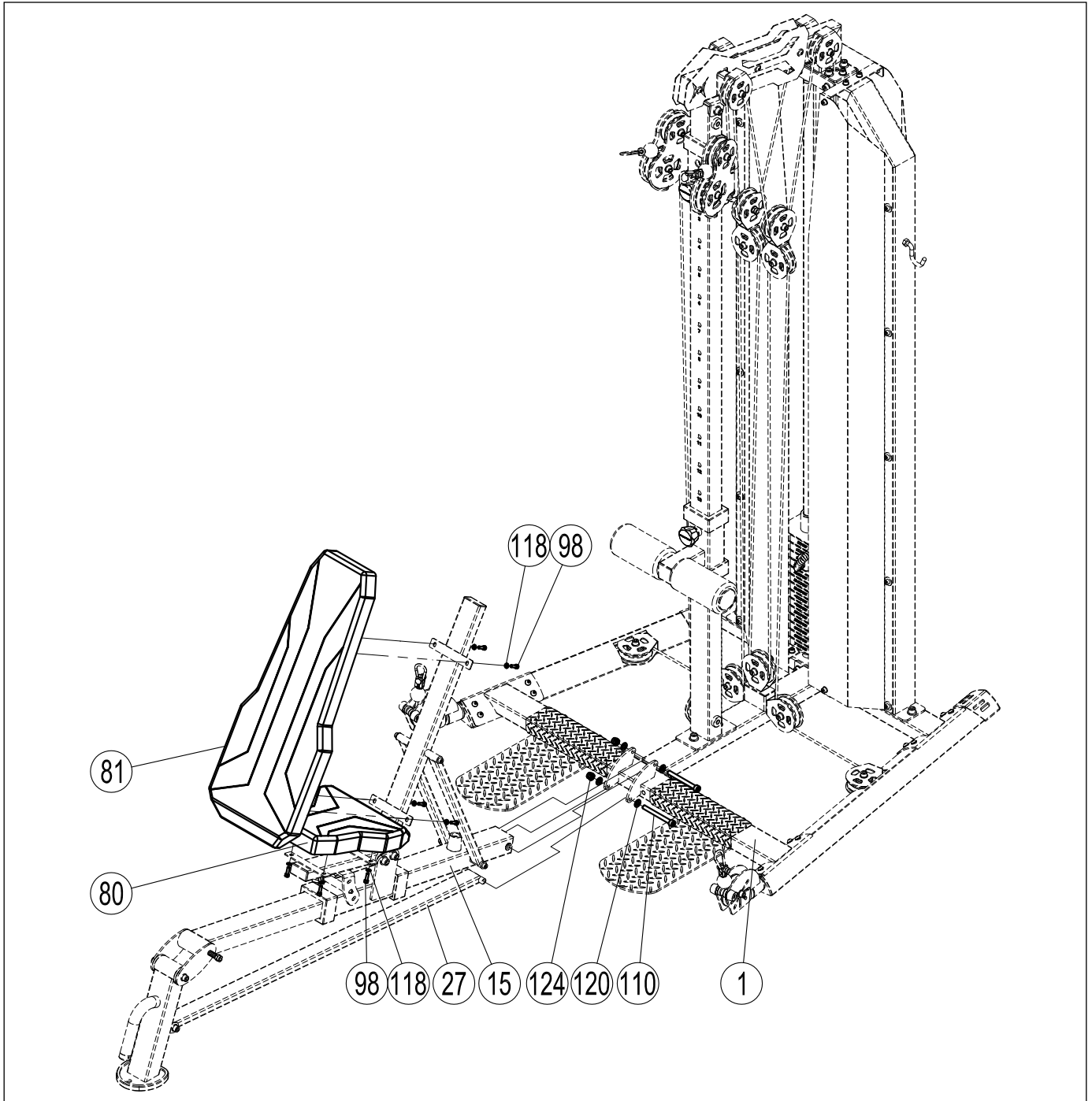




19#		Qty:1
20#		Qty:1
26#		Qty:2
29#		Qty:2
31#		Qty:2
62#		Qty:1


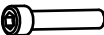



91#		M6*10	Qty:1
93#		M8*25	Qty:1
94#		M8*35	Qty:1
100#		M8*16	Qty:4
116#		M12*110	Qty:2
119#		8	Qty:2

121#		12	Qty:4
125#		M12	Qty:2
126#		big 8	Qty:4

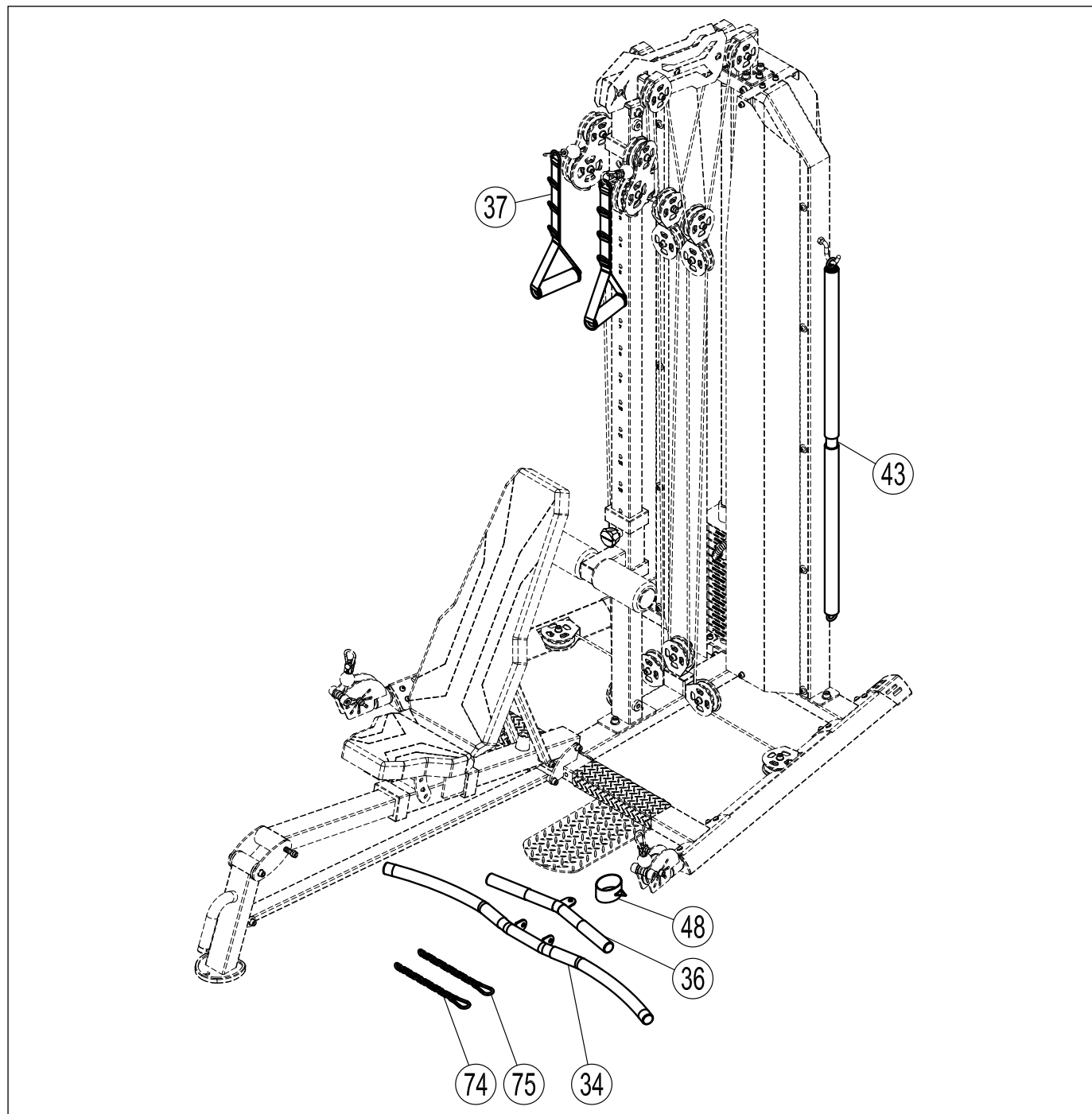
C-8










80#		Qty:1
81#		Qty:1

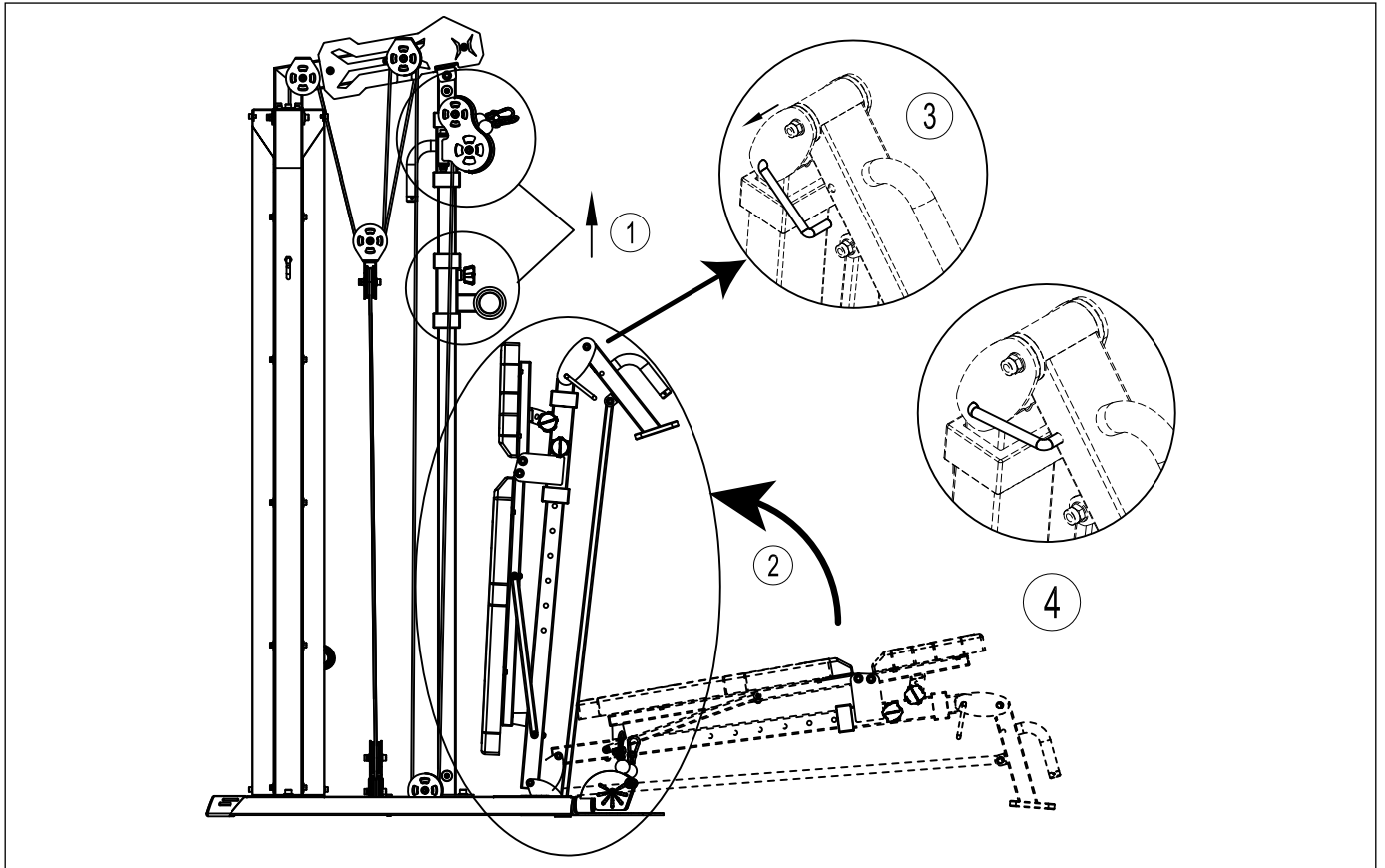
98#		M6*25	Qty:8
110#		M10*103	Qty:2
118#		6	Qty:8
120#		10	Qty:4
124#		M10	Qty:2

C-9



34#		Qty:1
36#		Qty:1
37#		Qty:2
43#		Qty:1
48#		Qty:1
74#		Qty:2
75#		Qty:2

Use #1



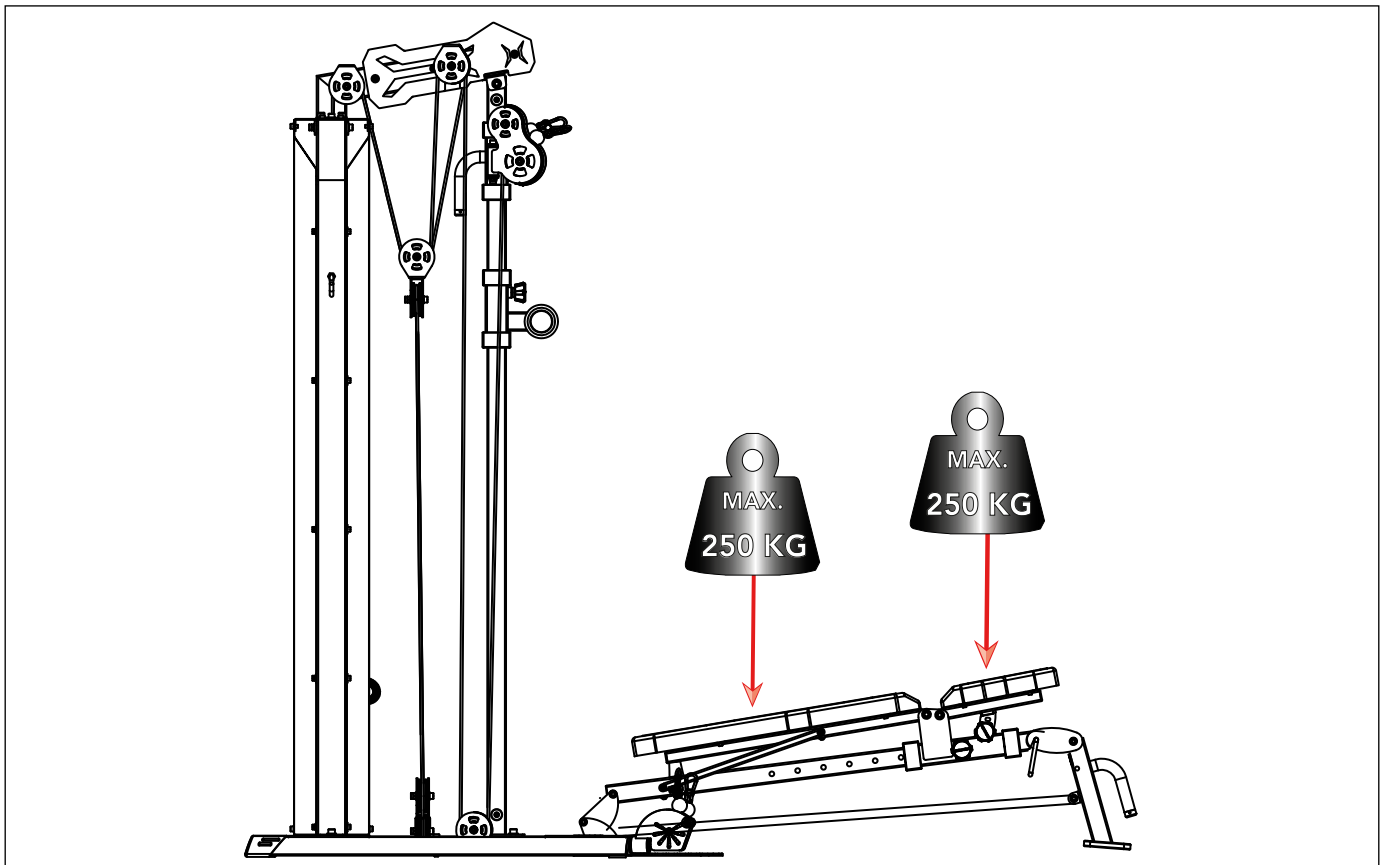
Use #2



Use #3



Use #4



Index

Before you begin	19
Important safety notice	19
Additional safety instructions	19
Important assembly information	20
Assembly	20
Fasten Nuts and Bolts	20
Weight plate installation	20
Operation notes	20
Weight Plate Selection	20
Use	20
Unfolding and folding	20
Adjusting the backrest inclination	20
Adjusting the vertical seat position	20
Weight resistance chart	21
Exercise guidelines	21
Building Muscle and Gaining Weight	21
Muscle Strength and Endurance	21
Training Intensity	21
Beginning a Strength Building Program	21
Care and maintenance	21
Additional information	22
Limited warranty	22
Defects and malfunctions	22
Weight capacity and dimension	22
Disclaimer	22

Before you begin

Thank you for selecting the Tunturi HG80 Home Gym.

For your safety and benefit, read this manual carefully before using the equipment. We are committed to provide you complete customer satisfaction. If you have any questions, or find there are missing or damaged parts, we guarantee you complete satisfaction through direct assistance.

To avoid unnecessary delays, please contact our customer service department, Monday to Friday 9am – 5pm GMT + 1 hour.

Tunturi New Fitness B.V.
www.tunturi.com

Important safety notice

This exercise equipment is built for optimum safety. However, certain precautions apply whenever you operate a piece of exercise equipment. Be sure to read the entire manual before you assemble or operate your equipment. In particular, note the following safety precautions:

- Keep children and pets away from the equipment at all times. DO NOT leave children unattended in the same room with the equipment.
- Only one person at a time should use the equipment.
- If the user experiences dizziness, nausea, chest pain, or any other abnormal symptoms, STOP the workout at once. CONSULT A PHYSICIAN IMMEDIATELY.
Position the equipment on a clear, levelled surface. DO NOT use the equipment near water or outdoors.
- Keep hands away from all moving parts.
- Always wear appropriate workout clothing when exercising. DO NOT wear robes or other clothing that could become caught in the equipment. Running or aerobic shoes are also required when using the equipment.
Use the equipment only for its intended use as described in this manual. DO NOT use attachments not recommended by the manufacturer.
- Do not place any sharp object around the equipment.
- Disabled person should not use the equipment.
- Before using the equipment to exercise, always do stretching exercises to properly warm up.
- Never operate the equipment if the equipment is not functioning properly.
- A spotter is recommended during exercise.
- This equipment is designed and intended for home and consumer use only, not for commercial use.

Additional safety instructions

- During exercising hands must be kept clear from the guiding bars of the weights.
- Never re-set weights during exercising.
- Avoid the cord grating along sharp parts.
- When selecting a weight, always push the pin in to its full extent.
- Children should only use this equipment under the direct supervision of a knowledgeable adult. At no times should children be left unattended near the machine.
- Prior to carrying out any exercise ensure that the body is in the correct position to avoid injury.

WARNING

- When using the latissimus grip, first the load must be selected, before the grip is mounted.
- If you change the weight in the meantime you have to hold the upper weight to prevent the grip falling down.

Warning:

Before beginning any exercise program, consult your physician. This is especially important for individuals over the age of 35 or persons with pre-existing health problems.

Read all instructions before using any fitness equipment.

Tunturi New fitness bv. assumes no responsibility for personal injury or property damage sustained by or through the use of this product.

Save these instructions!

Important assembly information

Tools Required for Assembling the Bench:

Two Adjustable Wrenches.

NOTE

- It is strongly recommended that this equipment is assembled by two or more people to avoid possible injury.
- Ensure Carriage Bolts are inserted through the SQUARE holes on components that need to be assembled. Attach washer only to end of the Carriage Bolt.
- Use Allen Bolts or Hex Bolts inserted through the ROUND hole on components that need to be assembled.
- Always wait until all bolts are assembled onto the bench before tightening the bolts. Do not tighten each bolt right after it is installed

Assembly

(Fig. A)

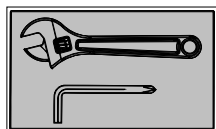
WARNING

- Assemble the equipment in the given order.
- Carry and move the equipment with at least two persons.

CAUTION

- Place the equipment on a firm, level surface.
- Place the equipment on a protective base to prevent damage to the floor surface.
- Allow at least 100 cm of clearance around the equipment.
- Refer to the illustrations for the correct assembly of the equipment.

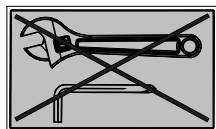
Fasten Nuts and Bolts



Securely tighten all Nuts and Bolts after all components have been assembled in current and previous steps.

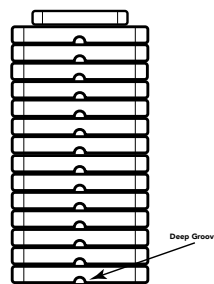
NOTE

- Do not over tighten any component with pivoting function.
- Make sure all pivoting components are able to move freely.

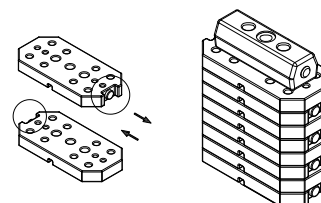


Do not tighten all Nuts and Bolts in this step.

Weight plate installation



Slide weight plates onto Guide Rod from top to bottom. The deep groove on each weight plate needs to face front and downwards.



Operation notes

Weight Plate Selection

- Use the Weight Selector Pin to select the number of weight plates to exercise.
- Do not insert weight selector pin while the weight stack or top plate is in elevated position.
- Be certain the weight Selector Pin is completely inserted.
- Each Weight Plate weights approximately 5kgs.
- Please refer to Weight Resistance Chart page.
- Never use dumbbells or other means to increase the weight resistance. Use only weight plates provided by manufacturer.
- For safety purpose while the equipment is not in use. Insert the Lock Pin into the hole on Guide Rod, to prevent the movement of Weight Plates.

Use

Unfolding and folding.

(Fig. Use #1)

Please pull out the lock pin from the joint and fold the equipment, then securing by the lock pin.

Adjusting the backrest inclination

(Fig. Use #2)

- Pull the adjustment knob.
- Move the backrest to the required position.
- Release the adjustment knob.

Adjusting the vertical seat position

(Fig. Use #3)

- Pull the adjustment knob.
- Move the seat to the required position.
- Release the adjustment knob.

Weight resistance chart

Weight Plate	Lat Pull	Low pulley
1	12	12
2	18	18
3	24	24
4	36	36
5	42	42
6	48	48
7	54	54
8	60	60
9	66	66
10	72	72
11	78	78
12	84	84
13	90	90
14	96	96

NOTE

- Each plate weights 5 kgs.
- Numbers are approximate.
- Actual weights may vary.
- Values for Butterfly are for each arm.

Values are shown in kgs

Exercise guidelines

Building Muscle and Gaining Weight

Unlike aerobic exercise, which emphasizes endurance training, anaerobic exercise focuses on strength training. A gradual weight gain can occur while building the size and strength of muscles. While developing muscle mass, your body adapts to the stress placed upon it. You can modify your diet to include foods such as meat, fish and vegetables.

These foods help muscles recover and replenish important nutrients after a strenuous workout.

Muscle Strength and Endurance

To achieve the greatest benefit from exercise, it is important to develop an exercise program that allows you to work all of the major muscle groups equally.

To increase muscles strength; follow this principle:

Increasing resistance and maintaining the number of repetitions of an exercise results in increased muscle strength.

To tone your body, follow the principle: Decreasing resistance plus increasing the number of repetitions of an exercise results in increased body tone.

Once you feel comfortable with an exercise, you can change the resistance, the number of repetitions, or the speed at which you do the exercise. It is not necessary to change all three variables. For example, let's say that you are training at 10 kg. and performing the exercise 10 times in 3 minutes. When this becomes too easy, you may decide to move up lifting 12 kg. for the same number of repetitions in the same amount of time. Lifting more weights fewer times most often develops muscle strength. To gain both muscle strength and endurance, it is recommended that you perform each exercise 15 to 20 reps per set.

Training Intensity

How hard you begin to train depends on your overall level of fitness. The soreness you experienced can be lessened by decreasing the load you place on your muscles and by performing fewer sets.

To avoid injury, you should gradually work into an exercise program and set the load to your individual fitness level. The load should increase as your fitness level increases.

Muscle soreness is common, especially when you first start exercising. If you are painfully sore for a long time, it may be time to change your program. Eventually, your muscle system will become accustomed to the stress and strain placed on it

Beginning a Strength Building Program

Warming Up

To begin strength training, it is important to stretch and perform light exercise for 5 to 10 minutes. This helps prepare the body for more strenuous exercise by increasing circulation, raising your body temperature and developing more oxygen to your muscles.

Workout

Each workout to keep in mind that muscle soreness that lasts for a long period is not desirable and may mean that injury has occurred.

Cool Down

At the end of each workout, perform slow stretching exercises for 5 to 10 minutes. Ease into each stretch only going as far as you can. This stage allows your muscles wind down after training.

To provide a total workout program it is also recommended that 2 to 3 days of aerobic exercise is performed in addition to the strength training.

Drinking Water

For the body to function properly, it must be properly hydrated. If you are exercising, you should increase your fluid intake. The reason for this is that the water you take in will leave your system through the sweating mechanism that cools your body during exercise. The water you lose through exercise must be replaced so that the muscles can recover properly.

Rest Day

Although you may not feel like doing it, taking a rest day at least once a week is important because it gives your body a chance to heal itself. Continuously working your muscle will result in over training which will not benefit in the long run.

Care and maintenance

- Lubricate moving parts with WD-40 or light oil periodically.
- Inspect and tighten all parts before using the equipment.
- The equipment can be cleaned using a damp cloth and mild non-abrasive detergent. DO NOT use solvents.
- Examine the equipment regularly for signs of damages or wear.
- Replace any defective components immediately and/or keep the equipment out of use until repair.
- Failure to examine regularly may affect the safety level of the equipment.

Additional information

Packaging disposal

Government guidelines ask that we reduce the amount of waste material disposed of in land fill sites. We therefore ask that you dispose of all packaging waste responsibly at public recycling centres.

End of life disposal

We at Tunturi hope you enjoy many years of enjoyable use from your fitness trainer. However, a Time will come when your fitness trainer will come to the end of its useful life. Under 'European WEEE Legislation you are responsible for the appropriate disposal of your fitness trainer to a recognised public collection facility.

Limited warranty

Tunturi New Fitness warrants this product to be free from defects in workmanship and material, under normal use and service conditions, for a period of two years on the frame and one year on all other parts and components from the date of purchase. This warranty extends only to the original purchaser. Tunturi New Fitness's obligation under this Warranty is limited to replacing damaged or faulty parts at Tunturi New Fitness's option.

All returns must be pre-authorized by Tunturi New Fitness. This warranty does not extend to any product or damage to a product caused by or attributable to freight damage, abuse, misuse, improper or abnormal usage, purchasers own repairs or for products used for commercial or rental purposes. No other warranty beyond that specifically set forth above is authorised by Tunturi New Fitness.

Tunturi New Fitness is not responsible or liable for indirect, special or consequential damages arising out of or in connection with the use or performance of the product or other damages with respect to any economic loss, loss of property, loss of revenues or profits, loss of enjoyments or use, costs of removal, installation or other consequential damages or whatsoever natures.

The warranty extended hereunder is in lieu of any and all other warranties and any implied warranties of merchantability or fitness for a particular purpose is limited in its scope and duration to the terms set forth herein.

Your statutory rights are not affected.

Defects and malfunctions

Despite continuous quality control, defects and malfunctions caused by individual parts can occur in the equipment. In most cases, it will be sufficient to replace the defective part.

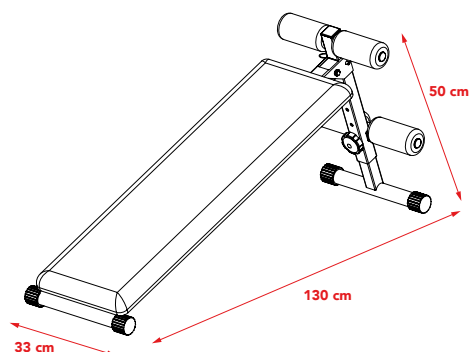
- If the equipment does not function properly, immediately contact the dealer.
- Provide the model number and the serial number of the equipment to the dealer. State the nature of the problem, conditions of use and purchase date.

Further contact information or user manuals in other languages can be found on our website.

Weight capacity and dimension

(Fig. W#1)

- Maximum load weight: 135 kg.
- Assembled Dimension: 189,5 x 184 x 208,5 cm.



Disclaimer

© 2020 Tunturi New Fitness BV
All rights reserved.

The product and the manual are subject to change. Specifications can be changed without further notice.

Deutsch

Diese deutsche Bedienungsanleitung ist eine Übersetzung des englischen Textes. Es können keine Rechte auf diese Übersetzung abgeleitet werden.

Index

Bevor Sie beginnen.....	23
Wichtiger Sicherheitshinweis.....	23
Zusätzliche sicherheitshinweise	23
Wichtige Montageinformationen.....	24
Zusammenbau	24
Ziehen Muttern und Schrauben	24
Montage der Gewichtsplatte	24
Betriebshinweise	24
Auswahl der Gewichtsplatte.....	24
Gebrauch	24
Auseinander- und Zusammenklappen.....	24
Einstellen der Rückensehnenneigung	25
Einstellen der vertikalen Sitzposition	25
Gewichtswiderstandstabelle	25
Übungsrichtlinie.....	25
Muskelaufbau und Gewichtszunahme.....	25
Muskelstärke und Ausdauer	25
Trainingsintensität	25
Beginn eines Programms zum Kraftaufbau	25
Pflege und Wartung	26
Zusätzliche Informationen	26
Eingeschränkte Garantie	26
Störungen und Fehlfunktionen.....	26
Tragkraft und Abmessung	26
Haftungsausschluss.....	26

Bevor Sie beginnen

Vielen Dank, dass Sie sich für den Tunturi HG80 Home Gym entschieden haben.

Zu Ihrer Sicherheit sollten Sie dieses Handbuch vor Verwendung des Geräts sorgfältig durchlesen. Als Händler sind wir um vollständige Kundenzufriedenheit bemüht. Sollten Sie Frage haben oder sollten Teile fehlen oder beschädigt sein, garantieren wir Ihnen vollständige Zufriedenheit durch direkte Unterstützung.

Um unnötige Verzögerungen zu vermeiden, wenden Sie sich an unsere Kundendienstabteilung, Montag bis Freitag, 9.00 Uhr - 17.00 Uhr GMT 1 Stunde.

Tunturi New Fitness B.V.
www.tunturi.com

Wichtiger Sicherheitshinweis

Das Trainingsgerät ist für optimale Sicherheit konstruiert. Jedoch gelten bestimmte Vorsichtsmaßnahmen, wenn Sie ein Trainingsgerät betreiben. Lesen Sie das gesamte Handbuch durch, bevor Sie das Gerät montieren oder betreiben. Beachten Sie insbesondere die folgende Sicherheitsmaßnahmen:

- Halten Sie Kinder und Haustiere immer vom Gerät fern. Lassen Sie Kinder NICHT unbeaufsichtigt mit dem Gerät in einem Raum.
- Das Gerät darf nur jeweils von einer Person gleichzeitig verwendet werden.
- Wenn sich Schwindel, Übelkeit, Brustschmerzen oder andere abnorme Symptome beim Benutzer einstellen, sollte das Training sofort beendet werden. SUCHEN SIE SOFORT EINEN ARZT AUF.
- Stellen Sie das Gerät auf eine saubere, ebene Fläche. Verwenden Sie das Gerät NICHT in der Nähe von Wasser oder im Freien.
- Halten Sie die Hände von beweglichen Teilen fern.
- Tragen Sie während des Trainings immer geeignete Sportkleidung. Tragen Sie keine langen Röcke oder andere Kleidung, die sich im Gerät verfangen kann. Tragen Sie bei Verwendung des Geräts Lauf- oder Aerobic-Schuhe.
- Verwenden Sie das Gerät nur für den beabsichtigten Gebrauch wie in diesem Handbuch beschrieben. Verwenden Sie keine Anbauteile, die NICHT vom Hersteller empfohlen sind.
- Stellen Sie keine spitzen Gegenstände rund um das Gerät auf.
- Behinderte Personen dürfen das Gerät nicht ohne Beaufsichtigung durch eine qualifizierte Person oder einen Arzt benutzen.
- Machen Sie vor Verwendung des Geräts immer Dehnübungen, um sich aufzuwärmen.
- 11. Verwenden Sie das Gerät nicht, wenn es nicht richtig funktioniert.
- Für das Training wird ein Helfer empfohlen.
- Stecken Sie den Gewichtsauswahlstift nicht hinein, während sich der Gewichtsstapel oder die obere Platte in einer erhöhten Position befinden.
- Achten Sie darauf, dass der Auswahlstift vollständig hineingesteckt ist.
- Verwenden Sie keine Hanteln oder andere Mittel, um den Gewichtswiderstand zu erhöhen. Verwenden Sie nur vom Hersteller gelieferte Gewichtsplatten.
- Das Gerät ist für den privaten Gebrauch und nicht für den gewerblichen Gebrauch gedacht.

Zusätzliche sicherheitshinweise

- Während des Trainings müssen die Hände von den Führungsstangen der Gewichte fern gehalten werden.
- Verstellen Sie die Gewichte während des Trainings nicht.
- Das Seil darf nicht an scharfkantigen Teilen entlang geführt werden.
- Drücken Sie bei der Auswahl eines Gewichts den Stift immer ganz hinein.
- Kinder dürfen dieses Gerät nur unter Aufsicht eines fachkundigen Erwachsenen verwenden. Kinder dürfen nie unbeaufsichtigt in der Nähe des Geräts gelassen werden.
- Vergewissern Sie sich vor der Durchführung von Übungen, dass sich Ihr Körper in der richtigen Position befindet, um Verletzungen zu vermeiden.

⚠️ WARNUNG

- Bei Verwendung des Latissimus-Griffs muss zuerst die Last ausgewählt werden, bevor der Griff montiert wird.
- Wenn Sie in der Zwischenzeit das Gewicht ändern, müssen Sie das obere Gewicht halten, um zu verhindern, dass der Griff herunterfällt.

Warnung:

Ziehen sie vor Durchführung eines Übungsprogramms ihren Arzt zu rate. dies gilt insbesondere für Personen über 35 Jahre oder für Personen mit bestehenden gesundheitlichen Problemen. lesen sie vor Verwendung von Fitnessgeräten die gesamte Anleitung durch. Tunturi New Fitness bv übernimmt keine Verantwortung für Verletzungen oder Sachschäden, die durch dieses Produkt oder durch Verwendung dieses Produkts entstehen.

Bewahren sie diese Anleitung auf!

Wichtige Montageinformationen

Für die Montage der Bank erforderliche Werkzeuge: Zwei verstellbare Schraubenschlüssel.

⚠ HINWEIS

- Dieses Gerät sollte unbedingt von mindestens zwei Personen montiert werden, um Verletzungen zu vermeiden.
- Achten Sie darauf, dass Schlossschrauben durch die QUADRATISCHEN Löcher an den zu montierenden Komponenten gesteckt werden. Bringen Sie Beilagscheiben nur am Ende der Schlossschrauben an.
- Stecken Sie Inbusschrauben oder Sechstankschrauben durch das RUNDE Loch an den zu montierenden Komponenten.
- Warten Sie immer, bis alle Schrauben an der Bank montiert sind, bevor Sie die Schrauben festziehen. Ziehen Sie die einzelnen Schrauben nicht direkt nach ihrer Montage an.

Zusammenbau

(Abb. A)

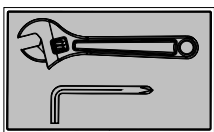
⚠ WARNUNG

- Bauen Sie das Gerät in der angegebenen Reihenfolge zusammen.
- Tragen und bewegen Sie das Gerät mit mindestens zwei Personen.

⚠ VORSICHT

- Stellen Sie das Gerät auf festen, ebenen Boden.
- Stellen Sie das Gerät auf eine schützende Unterlage, um Schäden am Bodenbelag zu vermeiden.
- Sorgen Sie rund um das Gerät für einen Freiraum von mindestens 100 cm.
- Der richtige Zusammenbau des Geräts geht aus den Abbildungen hervor.

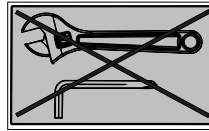
Ziehen Muttern und Schrauben



Ziehen Sie die Muttern und Schrauben fest an, nachdem alle Komponenten im aktuellen und in den vorherigen Schritten montiert wurden.

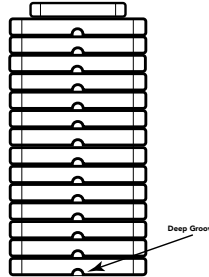
⚠ HINWEIS

- Ziehen Sie Komponenten mit Drehfunktion nicht zu fest an.
- Vergewissern Sie sich, dass sich alle Drehkomponenten frei drehen können.

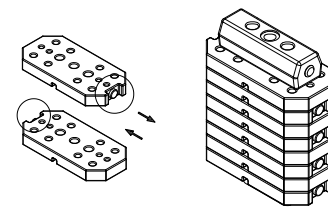


Ziehen Sie nicht alle Muttern und Schrauben in diesem Schritt fest.

Montage der Gewichtplatte



Schieben Sie die Gewichtsplatten von oben nach unten auf den Führungsstab. Die tiefe Nut an jeder Gewichtplatte muss nach vorne und unten zeigen



Betriebshinweise

Auswahl der Gewichtplatte

- Verwenden Sie den Gewichtsauswahlstift, um die Anzahl der Gewichtsplatten für die Übung auszuwählen.
 - Stecken Sie den Gewichtsauswahlstift nicht hinein, während sich der Gewichtsstapel oder die obere Platte in einer erhöhten Position befinden.
 - Achten Sie darauf, dass der Auswahlstift vollständig hineingesteckt ist.
 - Jede Gewichtplatte wiegt ca. 5 kg.
 - Informationen finden Sie auf der Seite mit der Gewichtswiderstandstabelle.
 - Verwenden Sie keine Hanteln oder andere Mittel, um den Gewichtswiderstand zu erhöhen. Verwenden Sie nur die vom Hersteller gelieferten Gewichtsplatten.
- Aus Sicherheitsgründen nur, wenn das Gerät gerade nicht verwendet wird. Stecken Sie den Schlossstift in das Loch an der Führungstange, um den Stift zu verriegeln sodass der Stift eine Bewegung der Gewichtsplatten verhindert.

Gebrauch

Auseinander- und Zusammenklappen.

(Fig. Use #1)

Bitte ziehen Sie den Sicherungsstift aus dem Gelenk und klappen Sie das Gerät, dann sichern Sie den Verriegelungsstift.

Einstellen der Rückensehnenneigung

(Fig. Use #2)

- Ziehen Sie den Einstellknopf.
- Bewegen Sie die Rückenlehne in die erforderliche Position.
- Lassen Sie den Einstellknopf los.

Einstellen der vertikalen Sitzposition

(Fig. Use #3)

- Ziehen Sie den Einstellknopf.
- Bewegen Sie den Sitz in die erforderliche Position.
- Lassen Sie den Einstellknopf los.

Gewichtswiderstandstabelle

Gewicht platte	Lat zug	Untere seilzug
1	12	12
2	18	18
3	24	24
4	36	36
5	42	42
6	48	48
7	54	54
8	60	60
9	66	66
10	72	72
11	78	78
12	84	84
13	90	90
14	96	96

HINWEIS

- Jede Platte wiegt 5 kg.
- Die Zahlen sind ungefähre Werte.
- Die tatsächlichen Gewichte können sich unterscheiden.
- Butterfly-Werte sind für jeden Arm.

Werte sind in kg angegeben

Übungsrichtlinie

Muskelaufbau und Gewichtszunahme

Anders als aerobe Übungen, die das Training der Ausdauer betonen, konzentrieren sich anaerobe Übungen auf das Krafttraining. Eine allmähliche Gewichtszunahme kann eintreten, wenn die Größe und die Stärke der Muskeln aufgebaut wird. Während der Entwicklung von Muskelmasse passt sich der Körper an die Belastung an, die auf ihn wirkt. Sie können Ihre Ernährung so ändern, dass sie Lebensmittel wie Fleisch, Fisch und Gemüse beinhaltet. Diese Lebensmittel helfen Muskeln bei der Regeneration und bieten wichtige Nährstoffe nach einem anstrengenden Training.

Muskelstärke und Ausdauer

Um den größten Nutzen aus dem Training zu ziehen, ist es wichtig, ein Übungsprogramm zu entwickeln, das es Ihnen ermöglicht, alle größeren Muskelgruppen gleichmäßig zu trainieren. Um die Muskelkraft zu steigern, befolgen Sie dieses Prinzip: Zunehmender Widerstand und Beibehaltung der Anzahl der Wiederholungen einer Übung führen zu erhöhter Muskelkraft.

Um Ihren Körper zu formen, befolgen Sie dieses Prinzip: Abnehmender Widerstand und plus Steigerung der Anzahl der Wiederholungen einer Übung führen zu erhöhter Körperspannung. Sobald Sie sich an eine Übung gewöhnt haben, können Sie den Widerstand, die Anzahl der Wiederholungen oder die Geschwindigkeit, mit der Sie die Übung durchführen, ändern. Es ist nicht nötig, alle drei Variablen zu ändern. Nehmen wir an, dass Sie zum Beispiel mit 10 kg. trainieren und die Übung 10 Mal in 3 Minuten durchführen. Wenn dies zu einfach wird, können Sie sich entscheiden, 12 kg. mit derselben Anzahl an Wiederholungen in derselben Zeit durchzuführen. Wenn Sie mehr Gewichte weniger oft heben, entwickeln Sie Muskelkraft. Um sowohl Muskelstärke als auch Ausdauer zu gewinnen, sollten Sie jede Übung mit 15 bis 20 Wiederholungen pro Satz durchführen.

Trainingsintensität

Auf welcher Stufe Sie Ihr Training beginnen, hängt von Ihrem gesamten Fitnessniveau ab. Eventuelle Schmerzen können durch Verringerung der Last gemildert werden, die Sie auf Ihre Muskeln wirken lassen, und durch Ausführung weniger Sätze. Um Verletzungen zu vermeiden, sollten Sie in ein Übungsprogramm nach und nach einsteigen und die Last Ihrem individuellen Fitnessniveau anpassen. Die Last sollte mit steigendem Fitnessniveau erhöht werden. Muskelschmerzen sind häufig, insbesondere wenn Sie mit einer Übung erstmals beginnen. Wenn Sie längere Zeit Schmerzen haben, kann es Zeit sein, das Programm zu ändern. Schließlich gewöhnen sich Ihre Muskeln an die Belastung und den Druck, der auf sie wirkt.

Beginn eines Programms zum Kraftaufbau

Aufwärmen

Vor Beginn des eigentlichen Krafttrainings ist es wichtig, 5 bis 10 Minuten Dehn- und leichte Übungen durchzuführen. Dies bereitet den Körper auf die anstrengendere Übung vor, indem der Kreislauf angeregt, die Körpertemperatur gesteigert und in den Muskeln mehr Sauerstoff erzeugt wird.

Training

Denken Sie bei jedem Training daran, dass Muskelschmerzen, die längere andauern, nicht wünschenswert sind und bedeuten können, dass es eine Verletzung vorliegt.

Abkühlen

Führen Sie am Ende jedes Trainings 5 bis 10 Minuten langsame Dehnübungen durch. Führen Sie jede Dehnung nur so weit durch, wie Sie können. In dieser Phase können sich Ihre Muskeln nach dem Training entspannen. Für ein komplettes Trainingsprogramm sollten neben dem Krafttraining an 2 bis 3 Tagen aerobe Übungen durchgeführt werden.

Getränke

Damit der Körper richtig funktioniert, muss er mit Wasser versorgt werden. Wenn Sie trainieren, sollten Sie die Flüssigkeitsaufnahme erhöhen. Der Grund dafür ist, dass das Wasser, das Sie zu sich nehmen, Ihren Körper durch das Schwitzen verlässt, das den Körper während der Übung abkühlt. Das Wasser, das Sie während der Übung verlieren, muss ersetzt werden, damit sich die Muskeln richtig regenerieren können.

Ruhetag

Auch wenn Sie keine Lust dazu haben, ist mindestens ein Ruhetag pro Woche wichtig, da dies zur Selbstheilung Ihres Körpers beiträgt. Wenn Sie Ihre Muskeln ohne Pause trainieren, werden sie übertrainiert, was langfristig nicht gut ist.n.

Pflege und Wartung

- Schmieren Sie bewegliche Teile regelmäßig mit WD-40 oder Leichtöl.
- Überprüfen Sie vor Verwendung des Geräts alle Teile und ziehen Sie sie fest.
- Das Gerät kann mit einem feuchten Tuch und einem milden, nicht scheuernden Reinigungsmittel gereinigt werden. Verwenden Sie KEINE Lösungsmittel.
- Überprüfen Sie das Gerät regelmäßig auf Anzeichen von Schäden oder Verschleiß.
- Tauschen Sie defekte Teile umgehend aus und/oder verwenden Sie das Gerät nicht, bis es repariert ist.
- Fehlende Überprüfung kann die Sicherheit des Geräts beeinträchtigen.

Zusätzliche Informationen

Verpackungsentsorgung

Staatliche Vorschriften sagen, dass wir die in Deponien entsorgten Abfallmengen verringern sollen. Daher bitten wir Sie, den gesamten Verpackungsabfall an öffentlichen Recyclingstellen abzugeben

Entsorgung am ende der Lebensdauer

Wir bei Tunturi hoffen, dass Sie Ihren Fitnesstrainer viele Jahre mit Freude nutzen werden. Jedoch wird irgendwann die Zeit kommen, wenn die Ende der Nutzungsdauer des Fitnesstrainers erreicht ist. Gemäß den europäischen WEEE-Gesetzen sind Sie für eine geeignete Entsorgung des Fitnesstrainers bei einer anerkannten öffentlichen Entsorgungsstelle verantwortlich.

Eingeschränkte Garantie

Tunturi New Fitness garantiert, dass dieses Produkt bei normalen Gebrauchs- und Wartungsbedingungen für einen Zeitraum von zwei Jahren (Gestell) bzw. einem Jahr (alle anderen Teile und Komponenten) ab Kaufdatum frei von Material- und Fertigungsfehlern ist. Diese Garantie gilt nur für den ursprünglichen Käufer und nur bei nicht gewerblichem Gebrauch. Die Verpflichtung von Tunturi Fitness unter dieser Garantie ist auf den Austausch beschädigter oder defekter Teil nach Wahl von Tunturi New Fitness beschränkt.

Alle Rücksendungen müssen vorher von Tunturi New Fitness genehmigt werden. Diese Garantie gilt nicht für Schäden an einem Produkt, die durch den Transport, missbräuchliche Verwendung, Missbrauch, falsche oder abnormale Verwendung oder Eigenreparaturen des Käufers verursacht wurden oder diesen zuzuschreiben sind oder für Produkte, die für gewerbliche oder Mitzwecke verwendet werden. Tunturi New Fitness gibt keine weiteren Garantien außer den oben beschriebenen.

Tunturi New Fitness übernimmt keine Verantwortung oder Haftung für indirekte, besondere oder Folgeschäden, die sich aus und in Verbindung mit der Verwendung oder Leistung des Produkts ergeben, oder für andere Schäden in Bezug auf wirtschaftliche Verluste, Eigentumsverlust, entgangene Umsätze oder Gewinne, entgangenen Genuss oder entgangene Nutzung, Kosten der Beseitigung, Installation oder andere Folgeschäden jeglicher Art.

Die hierunter angegebene Garantie ersetzt alle anderen Garantien. Alle stillschweigenden Garantien der Marktgängigkeit oder Eignung für einen bestimmten Zweck sind in Umfang und Dauer auf die hierin angegebene Laufzeit beschränkt.

Ihre gesetzlichen Rechte werden davon nicht beeinflusst.

Störungen und Fehlfunktionen

Trotz ständiger Qualitätskontrolle können durch Einzelteile verursachte Störungen und Fehlfunktionen am Gerät auftreten. In den meisten Fällen ist es ausreichend, das defekte Teil zu erneuern.

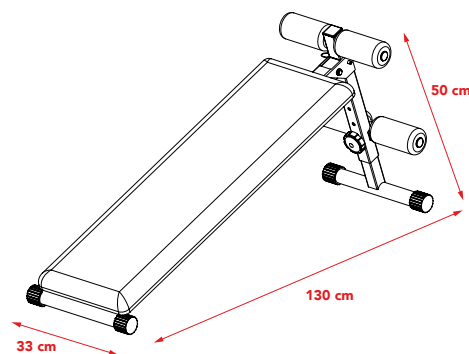
- Falls das Gerät nicht ordnungsgemäß funktioniert, wenden Sie sich unverzüglich an den Händler.
- Nennen Sie dem Händler Modell- und Seriennummer des Geräts. Schildern Sie die Art des Problems, die Gebrauchsbedingungen und das Kaufdatum.

Kontaktinformationen und Produkthandbücher in weiteren Sprachen finden Sie auf unseren Websites:

Tragkraft und Abmessung

(Fig. W#1)

- Maximales Ladegewicht: 135 kg.
- Abmessungen im montierten Zustand: 189,5 x 184 x 208,5 cm.



Haftungsausschluss

© 2020 Tunturi New Fitness BV
Alle Rechte vorbehalten.

Produkt und Handbuch können geändert werden. Die technischen Daten können ohne Vorankündigung geändert werden.

Français

Ce manuel français est une traduction de la version anglaise. Notez que la version anglaise est en tête dans le contenu lorsque des différences sont trouvées.

Indice

Avant de commencer.....	27
importants de sécurité	27
Conseils et avertissements supplémentaires de sécurité.....	27
Informations importantes concernant l'assemblage.....	28
Assemblage.....	28
Serrer les écrous et les boulons/vis.....	28
Installation des plaques de poids	28
Notes d'opération	28
Sélection des plaques de poids	28
Usage.....	28
Déplier et plier l'équipement.....	28
Réglage de l'inclinaison du dossier.....	28
Réglage de la position verticale de la selle.....	29
Tableau des résistances de charges.....	29
Conseils d'entraînement.....	29
Structuration musculaire et gain de poids.	29
Force musculaire et endurance	29
Intensité de l'entraînement	29
Commencer un programme de structuration musculaire	29
Entretien et maintenance	30
Informations supplémentaires.....	30
Garantie limitée	30
Défauts et dysfonctionnements	30
Charge et dimensions.....	30
Limite de responsabilité	30

Avant de commencer

Nous vous remercions d'avoir choisi le Tunturi HG80 Home Gym.. Pour votre sécurité et dans votre intérêt, veuillez lire attentivement ce manuel avant d'utiliser l'équipement. En tant que distributeur, nous nous engageons à garantir votre entière satisfaction.

Si vous avez des questions, ou constatez des pièces manquantes ou défectueuses, nous veillerons à votre entière satisfaction grâce à notre assistance directe.

Afin d'éviter des retards inutiles, veuillez contacter notre service clientèle, du lundi au vendredi de 9h00 à 17h00 GMT + 1 heure.

Tunturi New Fitness B.V.
www.tunturi.com

importants de sécurité

Cet appareil de musculation est conçu pour garantir une sécurité optimale. Toutefois, certaines précautions doivent être respectées chaque fois que vous utilisez un élément de cet équipement de musculation. Assurez-vous d'avoir lu l'intégralité du manuel avant d'assembler ou d'utiliser votre machine. Veuillez noter en particulier les précautions de sécurité suivantes :

- Veillez à éloigner les enfants et animaux de la machine à tout moment. VEILLES A NE PAS LAISSER les enfants sans surveillance dans la pièce où se trouve la machine.
- La machine ne doit être utilisée que par une seule personne à la fois.
- Si l'utilisateur ressent des étourdissements, éprouve des nausées, des douleurs pectorales ou tout autre symptôme anormal, il DOIT ARRÊTER l'entraînement sans attendre et CONSULTER UN MÉDECIN SANS DÉLAI.
- Placez l'appareil sur une surface aussi plane et dégagée que possible. N'UTILISEZ PAS la machine près de l'eau ou à l'extérieur.
- Veillez à éloigner vos mains et vos pieds de toute pièce en mouvement.
- Portez toujours des vêtements de sport adaptés lors des exercices VEILLES A NE PAS PORTER de robes ou autre vêtement qui pourrait se prendre dans la machine. Des chaussures de sport ou d'aérobic sont également requises lors de l'utilisation de la machine.
- Utilisez la machine uniquement pour l'usage auquel elle est destinée et qui est décrit dans le présent manuel. N'UTILISEZ PAS de fixations non recommandées par le fabricant.
- Ne placez aucun objet tranchant à proximité de la machine.
- Les personnes handicapées ne doivent pas utiliser l'équipement.
- Avant d'utiliser la machine, effectuez toujours auparavant des étirements pour vous échauffer correctement.
- N'utilisez jamais la machine si celle-ci ne fonctionne pas correctement.
- Il est recommandé d'effectuer les exercices sous la vigilance d'une autre personne.
- Cette machine est conçue et destinée à la pratique de la musculation à domicile et privée uniquement, pas à un usage à des fins commerciales.

Conseils et avertissements supplémentaires de sécurité

- Durant les exercices, les mains doivent rester à l'écart des barres de guidage des poids.
- Ne réglez pas les charges durant les exercices.
- Évitez la friction de la corde sur les parties tranchantes.
- Lors de la sélection d'un poids, poussez toujours la cheville à fond.
- Les enfants ne doivent utiliser cet équipement que sous la surveillance directe d'un adulte compétent. A aucun moment les enfants ne doivent rester près des machines sans surveillance.
- Avant d'entreprendre des exercices, veillez à ce que le corps soit dans une position correcte pour éviter les blessures

⚠ AVERTISSEMENT

- Lorsque vous utilisez la barre à dorsaux, vous devez d'abord sélectionner la charge avant de monter la poignée.
- Si vous changez le poids dans l'intervalle, vous devez maintenir le poids supérieur pour éviter la chute de la poignée.

Avertissement:

Avant d'entamer un programme d'exercices, consultez votre médecin. Ceci s'adresse particulièrement aux personnes de plus de 5 ans ou celles qui présentent des problèmes de santé pré-existants. Lisez toutes les instructions avant d'utiliser n'importe quel équipement de musculation. Tunturi New Fitness bv décline toute responsabilité quant aux blessures aux personnes ou aux dommages aux biens du fait ou découlant de l'utilisation de ce produit.

Gardez ces instructions en lieu sûr!

Informations importantes concernant l'assemblage

Outils nécessaires pour l'assemblage du banc : deux clés à molette.

NOTE

- Il est fortement recommandé de faire assembler cet équipement par deux personnes ou plus afin d'éviter tout accident/blessure.
- Veillez à ce que les vis à tête ronde soient insérées dans les orifices carrés des composants devant être assemblés. Ne placer la rondelle qu'à l'extrémité de la vis à tête ronde.
- Utilisez des vis à tête bombée à six pans creux ou des vis hexagonales qui seront insérées dans l'orifice rond des composants devant être assemblés.
- Veillez toujours à installer toutes les vis sur le banc avant de les serrer. Ne pas serrer une vis ou un boulon sitôt après l'avoir installé.

Assemblage

(Fig. A)

AVERTISSEMENT

- Assemblez l'équipement dans l'ordre indiqué.
- Deux personnes au moins sont nécessaires pour transporter et déplacer l'équipement.

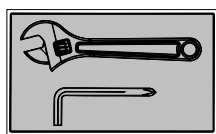
PRÉCAUTION

- Placez l'équipement sur une surface plane et ferme.
- Placez l'équipement sur une base protectrice pour éviter d'endommager la surface du sol.
- Prévoyez un dégagement d'au moins 100 cm autour de l'équipement.
- Consultez les illustrations pour l'assemblage correct de l'équipement.

NOTE

- Conservez les outils livrés avec ce produit après son montage, pour d'éventuels entretiens.

Serrer les écrous et les boulons/vis

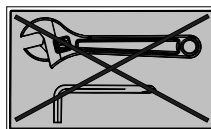


Serrez fermement tous les écrous et vis après que tous les composants aient été assemblés au cours des étapes actuelles et précédentes.

NOTE

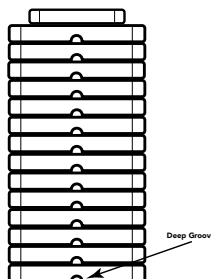
- Ne pas serrer excessivement les composants présentant une fonction pivotante.

- Assurez-vous que tous les composants mobiles pivotent sans entrave.

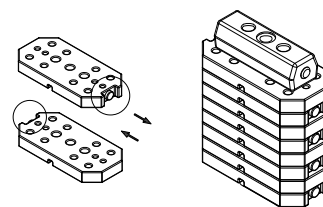


Ne pas serrer les écrous et les vis/boulons à cette étape.

Installation des plaques de poids



Glissez les plaques sur la tige de guidage, du haut vers le bas. La rainure sur chaque plaque doit être orientée vers l'avant et vers le bas.



Notes d'opération

Sélection des plaques de poids

- Utilisez la cheville de sélection de poids afin de définir le nombre de plaques souhaitées pour les exercices.
- N'insérez pas la cheville de sélection de poids si la pile de plaques ou si la plaque supérieure est en position relevée.
- Assurez-vous que la cheville de sélection de poids soit complètement introduite.
- Chaque plaque pèse 5 kg environ.
- Veuillez vous reporter au tableau de résistance des charges.
- N'utilisez jamais d'haltères ou autres pour augmenter la résistance des charges. N'utilisez que les plaques de poids fournies par le fabricant.
- Aux fins de sécurité lorsque l'équipement n'est pas utilisé, insérez la cheville de blocage dans l'orifice situé sur la tige de guidage, pour verrouiller la cheville et éviter aux plaques de bouger.

Usage

Déplier et plier l'équipement

(Fig. Use #1)

Veillez retirer la goupille de verrouillage du joint et plier l'équipement, puis fixez-le par la goupille de verrouillage.

Réglage de l'inclinaison du dossier

(Fig. Use #2)

- Tirez sur le bouton de réglage.
- Amenez le dossier à la position requise.
- Relâchez le bouton de réglage.

Réglage de la position verticale de la selle

(Fig. Use #3)

- Tirez sur le bouton de réglage.
- Amenez le tube de selle à la position requise.
- Relâchez le bouton de réglage.

Tableau des résistances de charges

Plaque de poids	Barre à dorsaux	Poulie basse
1	12	12
2	18	18
3	24	24
4	36	36
5	42	42
6	48	48
7	54	54
8	60	60
9	66	66
10	72	72
11	78	78
12	84	84
13	90	90
14	96	96

NOTE

- chaque plaque pèse 5 kg.
- Les chiffres sont approximatifs.
- Les masses réelles peuvent varier.
- Les valeurs pour le butterfly s'entendent pour chaque bras.

Les valeurs sont onnées en kg

Conseils d'entraînement

Structuration musculaire et gain de poids.

A la différence des exercices aérobies, qui mettent l'accent sur l'amélioration de l'endurance, les exercices anaérobies se concentrent sur le développement musculaire. Un gain de poids graduel peut se produire en développant la taille et la force des muscles. En développant la masse musculaire, votre corps s'adapte au stress auquel il est soumis. Vous pouvez modifier votre régime pour inclure des aliments tels que viandes, poissons et légumes. Ces aliments aident les muscles à récupérer et reconstituer les nutriments importants après un exercice éprouvant.

Force musculaire et endurance

Pour tirer le meilleur parti des exercices, il est important de développer un programme d'exercices vous permettant de travailler tous les groupes musculaires majeurs de manière égale. Pour augmenter la force musculaire, suivez ce principe : augmenter la résistance et garder le même nombre de répétitions d'un exercice permet d'augmenter la force musculaire. Pour tonifier votre corps, suivez ce principe: diminuer la résistance et augmenter la cadence de répétitions d'un exercice permet d'augmenter la tonicité du corps.

Une fois que vous vous êtes bien habitué à un exercice, vous pouvez modifier la résistance, la cadence de répétition ou la vitesse à laquelle vous effectuez l'exercice. Il n'est pas nécessaire de modifier les trois variables. Par exemple, supposons que vous vous entraîniez avec 10 kg. et effectuez l'exercice 10 fois en 3 minutes. Lorsque celui-ci devient trop facile, vous pouvez envisager de passer à un levage de 12 kg. pour le même nombre de répétitions pendant la même période de temps. Lever plus de poids moins de fois développe le plus souvent la force musculaire. Pour gagner à la fois en force musculaire et en endurance, il est recommandé d'effectuer chaque exercice 15 à 20 fois par série.

Intensité de l'entraînement

Le niveau auquel vous commencez à vous entraîner dépend de votre niveau général de forme. Les douleurs éprouvées peuvent être atténuées en réduisant la charge que vous faites supporter à vos muscles et en effectuant moins d'exercices. Pour éviter les blessures, vous devez appliquer graduellement votre programme d'exercices et régler la charge à votre niveau personnel de forme. La charge doit augmenter à mesure que votre niveau de forme augmente. Les douleurs musculaires sont chose courante, spécialement lorsque vous commencez à vous exercer. Si vous éprouvez durablement des douleurs, il peut être temps de modifier votre programme. Au final, votre système musculaire s'habitue aux contraintes qu'il subit.

Commencer un programme de structuration musculaire

Échauffement

Pour commencer l'entraînement musculaire, il est important de s'étirer et d'effectuer des exercices faciles entre 5 et 10 minutes. Cela aide à préparer le corps à des exercices plus contraignants en augmentant la circulation, ce qui fait monter votre température corporelle et oxygène mieux vos muscles.

Entraînement

Il faut se rappeler que pour chaque exercice, les douleurs musculaires qui durent pendant une très longue période ne sont pas souhaitables et peuvent causer des lésions.

Récupération

A la fin de chaque exercice, effectuez des étirements lents entre 5 et 10 minutes. Relâchez-vous entre chaque étirement et en l'effectuant aussi loin que vous le pouvez. Cette étape permet d'oxygéner vos muscles après l'entraînement. Pour un programme d'exercice complet, il est également recommandé d'effectuer 2 à 3 jours d'exercices aérobies en plus de l'entraînement pour le développement musculaire.

Boire de l'eau

Pour que le corps fonctionne correctement, il doit être correctement hydraté. Si vous faites des exercices, vous devez augmenter votre consommation de liquides. La raison est que l'eau que vous absorbez sera éliminée par la transpiration qui refroidit votre organisme durant les exercices. L'eau que vous perdez du fait des exercices doit être remplacée pour que les muscles puissent récupérer correctement.

Jours de repos

Bien que vous puissiez ne pas en avoir envie, il est important de prendre un jour de repos au moins une fois par semaine car cela permet à votre corps de se régénérer. Faire travailler vos muscles continuellement conduira à un surentraînement qui ne vous apportera aucun bénéfice à long terme.

Entretien et maintenance

- Lubrifiez périodiquement les parties mobiles avec de la wd-40 ou de l'huile légère.
- Contrôlez et resserrez tous les éléments avant d'utiliser cet équipement.
- La machine se nettoie à l'aide d'un chiffon humide et de produit détergent doux et non-abrasif. N'utilisez pas de solvants.
- Examinez l'équipement régulièrement pour détecter tous dommages ou signes d'usure.
- Remplacez les éléments défectueux sans délai et/ou n'utilisez pas l'équipement jusqu'à réparation.
- Le fait de négliger l'examen régulier de l'équipement peut compromettre le niveau de sécurité de celui-ci.

Informations supplémentaires

Élimination des emballages

Les réglementations gouvernementales nous demandent de réduire la quantité de matériaux déposés dans les décharges. C'est pour cela que nous faisons appel à votre responsabilité et vous demandons de déposer les emballages dans des centres de recyclage publics.

Élimination du produit

Chez Tunturi, nous espérons que vous profiterez longtemps de votre appareil de fitness. Cependant, nous savons bien qu'un jour ou l'autre votre machine arrivera au terme de sa vie utile. Selon la directive européenne sur les DEEE, vous êtes responsable de vous séparer correctement de votre appareil de fitness en le déposant dans un site public agréé de récupération des déchets.

Garantie limitée

Tunturi New Fitness garantit que ce produit est exempt de défauts dans sa qualité et ses matériaux, dans le cas d'une utilisation et de conditions de service normaux, pour une période de deux ans pour le châssis et d'un an pour toutes les autres pièces et composants et ce à compter de la date d'achat. Cette garantie ne s'applique qu'à l'acheteur original et est valable uniquement dans le cas d'un usage domestique. L'obligation de Tunturi New Fitness aux termes de cette garantie se limite au remplacement des pièces endommagées ou défectueuses à la discrétion de Tunturi New Fitness.

Tout retour doit être au préalable autorisé par Tunturi New Fitness. Cette garantie ne s'applique pas aux produits ou aux dommages à un produit causés par ou attribuables à des dégâts lors du transport, un abus, une mauvaise utilisation ou une utilisation anormale, ni aux réparations effectuées par l'acheteur ou encore aux produits utilisés à des fins commerciales ou de location. Aucune autre garantie que celle précisée ci-dessus n'est autorisée par Tunturi New Fitness.

Tunturi New Fitness n'assume aucune responsabilité pour les dommages indirects, spéciaux ou consécutifs survenant du fait de ou en relation avec l'utilisation ou la performance du produit ou pour tout autre dommage relatif à une perte économique, une perte de propriété, un manque-à-gagner, une perte des bénéfices ou une utilisation réduite, des coûts de démontage, d'installation ou autre dommage consécutif de quelque nature que ce soit

La garantie étendue ci-après s'applique en lieu et place des autres garanties et toutes les autres garanties de qualité marchande et de compatibilité à des fins particulières sont limitées dans leur champ d'application et leur durée aux termes définis dans le présent document.

Vos droits légaux ne sont pas affectés.

Défauts et dysfonctionnements

Malgré un contrôle continu de la qualité, des défauts ou des dysfonctionnements peuvent être occasionnés par des composants individuels. La plupart du temps, il vous suffit de remplacer la pièce défectueuse.

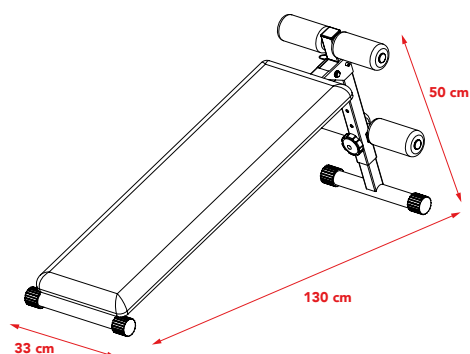
- Si l'équipement ne fonctionne pas correctement, contactez immédiatement le revendeur.
- Fournissez le numéro de modèle et le numéro de série de l'équipement au revendeur. Mentionnez la nature du problème, les conditions d'usage et la date d'achat.

Si vous souhaitez obtenir des données de contact ou des manuels de produit dans une autre langue, veuillez vous rendre sur nos sites internet:

Charge et dimensions

(Fig. W#1)

- Poids maximum charge : 135 kg.
- Dimensions assemblé : 189,5 x 184 x 208,5 cm.



Limite de responsabilité

© 2020 Tunturi New Fitness BV
Tous les droits réservés.

Le produit et le manuel sont sujets à modifications. Les spécifications peuvent changer sans préavis.

Nederlands

Deze Nederlandse handleiding is een vertaling van de Engelse tekst. Aan deze vertaling kunnen geen rechten ontleend worden. De originele Engelse tekst blijft leidend.

Inhoud

Voordat u begint	31
Belangrijke veiligheidsinstructie.....	31
Aanvullende veiligheidsinstructies.....	31
Belangrijke montage-informatie	32
Assemblage.....	32
Bouten en moeren aandraaien.....	32
Installatie van de gewichtplaten.....	32
Gebruik.....	32
Selectie van de gewichtplaten	32
Gebruik.....	32
Uitklappen en inklappen	32
Afstellen van de helling van de rugleuning.....	32
Instellen van de verticale zadelpositie	33
Gewicht weerstand tabel	33
Richtlijnen voor oefeningen.....	33
Spierontwikkeling en gewichtstoename.....	33
Spierkracht en uithoudingsvermogen.....	33
Trainingsintensiteit	33
Beginnen met een krachttraining programma	33
Zorg en onderhoud	33
Aanvullende informatie.....	34
Beperkte garantie.....	34
Defecten en storingen.....	34
Maximale belasting en afmetingen.....	34
Disclaimer	34

Voordat u begint

Bedankt dat u voor de Tunturi HG80 Home Gym. heeft gekozen. Neem deze handleiding zorgvuldig door voordat u dit apparaat gaat gebruiken. Als distributeur hechten we veel waarde aan de tevredenheid van onze klanten. Als u vragen hebt of als er onderdelen ontbreken of beschadigd zijn, staan de medewerkers van onze klantenservice voor u klaar. Voorkom onnodige vertraging en neem contact op met onze klantenservice: maandag t/m vrijdag van 9:00 tot 17:00 uur GMT +1 uur.

Tunturi New Fitness B.V.
www.tunturi.com

Belangrijke veiligheidsinstructie**Voorzorgsmaatregelen**

Dit fitnessapparaat is ontworpen voor optimale veiligheid.

Neem echter bepaalde voorzorgsmaatregelen in acht wanneer u fitnessapparatuur gebruikt. Lees de volledige handleiding voordat u het apparaat gaat monteren of gebruiken. Let met name op de volgende veiligheidsinstructies:

- Houd kinderen en huisdieren te allen tijde uit de buurt van het apparaat. Laat kinderen NOOIT zonder toezicht in dezelfde ruimte als het apparaat.
- Het apparaat mag door slechts één persoon per keer worden gebruikt.
- Als de gebruiker last krijgt van duizeligheid, misselijkheid, pijn op de borst of enige andere abnormale symptomen, dient de oefening direct te worden gestaakt. NEEM ONMIDDELIJK CONTACT OP MET EEN ARTS.
- Plaats het apparaat op een vlak oppervlak. Gebruik het apparaat NIET buitenshuis of in de buurt van water.
- Houd handen uit de buurt van de bewegende delen.
- Draag tijdens de training altijd geschikte sportkleding. Draag GEEN lange kamerjas of andere kleding die vast kan komen te zitten. Draag tijdens de oefeningen hardloop- of aerobicschoenen.
- Dit apparaat is alleen bedoeld voor het gebruik zoals beschreven in deze handleiding. Gebruik alleen accessoires aanbevolen door de fabrikant.
- Plaats geen scherpe objecten in de buurt van het apparaat.
- Gehandicapte of minder valide personen mogen het apparaat alleen gebruiken onder toezicht van een gekwalificeerde persoon of arts.
- Voer voordat u het apparaat gaat gebruiken strekoefeningen uit als warming-up.
- Gebruik het apparaat niet als het niet naar behoren functioneert.
- Tijdens oefeningen wordt de aanwezigheid van een spotter aangeraden.
- Steek de gewichtselector-pen niet in de platen wanneer de gewichtenkolom of de bovenste plaat in de hoogste positie staat.
- Controleer of de gewichtselector-pen helemaal in de gewichtplaten is gestoken.
- Gebruik nooit dumbbells of andere accessoires om de weerstand te verhogen. Gebruik alleen gewichtplaten geleverd door de fabrikant.
- Dit apparaat is ontworpen en bedoeld voor thuisgebruik en niet voor commerciële doeleinden.

Aanvullende veiligheidsinstructies

- Tijdens oefeningen moeten de handen uit de buurt blijven van de geleidestangen van de gewichten.
- Stel gewichten nooit opnieuw in tijdens een oefening.
- Voorkom dat de kabel tegen scherpe delen schuurt.
- Druk bij keuze van een gewicht de pen altijd zo ver mogelijk in.
- Kinderen mogen dit apparaat alleen gebruiken onder direct toezicht van een ervaren volwassene. Kinderen mogen zich nooit zonder toezicht in de buurt van dit apparaat begeven.
- Voorkom letsel en stel het apparaat af op de juiste hoogte voordat u oefeningen gaat doen.

⚠ WAARSCHUWING

- Bij het gebruik van de latissimusgreep moet eerst het gewicht worden geselecteerd voordat de greep wordt bevestigd.
- Als u het gewicht in de tussentijd verandert, moet u het bovenste gewicht vasthouden om te voorkomen dat de greep naar beneden valt.

Waarschuwing:

Raadpleeg eerst uw arts voordat u aan een Trainingsprogramma begint. Dit is met name belangrijk voor personen Ouder dan 35 of personen met bepaalde gezondheidsklachten. Lees alle Instructies voordat u fitnessapparatuur gebruikt. Tunturi New fitness bv is Niet aansprakelijk voor persoonlijk letsel of schade aan eigendommen Veroorzaakt door of ten gevolge van het gebruik van dit product.

Bewaar deze instructies goed!

Belangrijke montage-informatie

Gereedschap benodigd voor het monteren van de bank: twee verstelbare steeksleutels en een set inbusleutels.

⚠ LET OP

- Voorkom letsel en monteer dit apparaat met twee of meer personen.
- Gebruik slotbouten voor de vierkante gaten in de te monteren componenten. Gebruik alleen aan het einde van de slotbout een onderlegging.
- Gebruik inbusbouten of zeskantbouten in de ronde gaten in de te monteren componenten.
- Wacht tot alle bouten zijn gemonteerd voordat u ze vastdraait. Draai een bout niet direct naar het plaatsen vast.

Assemblage

(Fig. A)

⚠ WAARSCHUWING

- Monteer het apparaat in de aangegeven volgorde.
- Draag en verplaats het toestel met minstens twee personen.

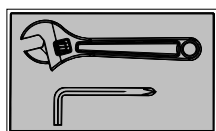
⚠ VOORZICHTIG

- Zet het toestel op een stevige, vlakke ondergrond.
- Zorg voor een beschermende laag onder het toestel om schade aan het vloeroppervlak te voorkomen.
- Houd rondom de apparatuur ten minste een bewegingsruimte van 100 cm.
- Raadpleeg de illustraties voor de juiste assemblage van het toestel.

⚠ LET OP

- Bewaar, nadat u het apparaat in elkaar hebt gezet, het gereedschap dat bij dit product is geleverd. Dit met het oog op service op een later tijdstip.

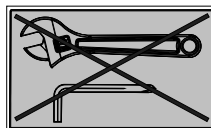
Bouten en moeren aandraaien



Draai de bouten en moeren pas aan nadat alle componenten zijn gemonteerd.

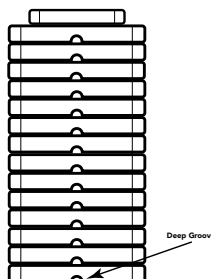
⚠ LET OP

- Componenten die moeten kunnen scharnieren, mogen niet te strak worden aangedraaid.
- Alle scharnierende componenten moeten vrij kunnen bewegen.

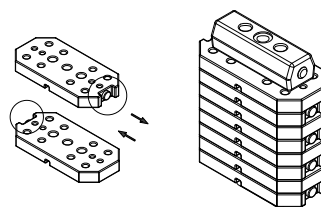


Draai de bouten en moeren in deze stap niet aan.

Installatie van de gewichtplaten



Schuif de gewichtplaten van boven naar beneden op de geleidestang. De diepe groef in elke gewichtplaat moet naar voren en naar onder gericht zijn.



Gebruik.

Selectie van de gewichtplaten

- Met de gewichtselector-pen kunt u het aantal gewichtplaten selecteren voor de oefening.
- Steek de gewichtselector-pen niet in de platen wanneer de gewichtenkolom of de bovenste plaat in de hoogste positie staat.
- Controleer of de gewichtselector-pen helemaal in de gewichtplaten is gestoken.
- Elke gewichtplaat weegt ongeveer 5 kg.
- Raadpleeg de gewichtweerstandstabel verderop in dit document.
- Gebruik nooit dumbbells of andere accessoires om de weerstand te verhogen. Gebruik alleen gewichtplaten geleverd door de fabrikant.
- Houd u aan de volgende veiligheidsinstructie wanneer het apparaat niet in gebruik is: steek de borgpen in het gat in de geleidestang. Zo voorkomt u dat de gewichtplaten kunnen worden bewogen.

Gebruik

Uitklappen en inklappen

(Fig. Use #1)

Trek de borgpen uit het scharnier en vouw de apparatuur, en borg het gewricht weer met de borgpen.

Afstellen van de helling van de rugleuning

(Fig. Use #2)

- Trek aan de verstelknop.
- Zet de rugleuning in de gewenste positie.
- Laat de verstelknop los.

Instellen van de verticale zadelpositie

(Fig. Use #3)

- Trek aan de verstelknop.
- Zet de zadelpen in de gewenste positie.
- Laat de verstelknop los.

Gewicht weerstand tabel

Gewicht plaat	Lat Pull	lage katrol
1	12	12
2	18	18
3	24	24
4	36	36
5	42	42
6	48	48
7	54	54
8	60	60
9	66	66
10	72	72
11	78	78
12	84	84
13	90	90
14	96	96

⚠ LET OP

- Elke gewicht plaat weegt 5 kg.
- De getallen zijn bij benadering.
- De daadwerkelijke gewichten kunnen afwijken.
- De waarden voor de butterfly zijn voor elke arm.

De waarden worden weergegeven in kilogrammen.

Richtlijnen voor oefeningen

Spierontwikkeling en gewichtstoename

In tegenstelling tot aerobicsoefeningen, waarbij de nadruk ligt op uithoudingsvermogen, zijn anaerobicsoefeningen gericht op krachttraining. Wanneer u uw spieren traint, neemt u mogelijk iets toe in gewicht. Tijdens het ontwikkelen van spiermassa past uw lichaam zich aan de belasting aan. U kunt uw voedingspatroon wijzigen en bijvoorbeeld extra vlees, vis en groenten toevoegen. Deze voedingsmiddelen helpen bij het herstel van de spieren en vullen belangrijke voedingsstoffen aan na een zware workout.

Spierkracht en uithoudingsvermogen

Een oefening levert het beste resultaat op als u zich aan een trainingsprogramma houdt waarbij alle grote spiergroepen met dezelfde intensiteit worden getraind. Als u uw spierkracht wilt verbeteren, houdt u zich aan dit principe: het verhogen van de weerstand in combinatie met hetzelfde aantal herhalingen van een oefening leidt tot sterkere spieren. Als u uw lichamelijke conditie wilt verbeteren, houdt u zich aan dit principe: het verlagen van de weerstand en het verhogen van het aantal herhalingen van een oefening leidt tot een betere lichamelijke conditie.

Wanneer een oefening makkelijk wordt voor u, kunt u de weerstand, het aantal herhalingen of de snelheid verhogen waarmee u de oefening uitvoert. U hoeft niet alle drie de variabelen te veranderen. Stel u traint met 10 kg. en voert de oefening tien keer uit in drie minuten. Wanneer dit te makkelijk wordt, kunt u het gewicht bijvoorbeeld verhogen naar 12 kg. voor hetzelfde aantal oefeningen in dezelfde tijd. Het tillen van meer gewicht in minder tijd vergroot doorgaans de spierkracht. Als u niet alleen uw spierkracht maar ook uw uithoudingsvermogen wilt verbeteren, wordt u aangeraden elke oefening 15 tot 20 keer uit te voeren per set.

Trainingsintensiteit

Hoe hard u begint met trainen, is afhankelijk van uw algehele conditie. U kunt de pijn die u ervaart, verminderen door uw spieren minder te belasten en minder sets uit te voeren. Voorkom letsel door geleidelijk aan te beginnen met een trainingsprogramma en de belasting aan te passen aan uw algehele conditie. Wanneer uw conditie verbetert, kunt u de druk opvoeren. Spierpijn is heel gewoon, vooral wanneer u pas net begint met trainen. Als u echter lang last hebt van spierpijn, moet u het programma mogelijk aanpassen. Uw spieren zullen uiteindelijk gewend raken aan de belasting.

Beginnen met een krachttraining programma

Warming-up

Voordat u begint met een krachttraining, moet u vijf tot tien minuten strekoefeningen en andere lichte oefeningen doen. Zo wordt de bloedsomloop verbeterd, wordt uw lichaamstemperatuur verhoogd en wordt meer zuurstof naar uw spieren getransporteerd als voorbereiding op de zwaardere oefeningen.

Workout

Houd bij elke workout in gedachten dat angaanhoudende spierpijn ongewenst is en kan betekenen dat u een blessure hebt opgelopen.

Cooling-down

Doe aan het eind van elke workout vijf tot tien minuten lang langzame strekoefeningen. Strek nooit zo ver dat het pijn doet. In deze fase van de training kunnen uw spieren ontspannen. Het wordt aangeraden in een volledig trainingsprogramma ook twee of drie dagen aerobicsoefeningen te doen naast de krachttraining.

Water drinken

Uw lichaam kan alleen goed functioneren als u voldoende water drinkt. Drink dus meer water wanneer u traint. Het water dat u drinkt, wordt namelijk uitgescheiden via het zweet dat het lichaam produceert om koel te blijven tijdens het trainen. Het water dat u zo verliest, moet worden aangevuld zodat de spieren goed kunnen herstellen.

Rustdag

Het nemen van een rustdag eenmaal per week is belangrijk omdat uw lichaam zo de kans krijgt om te herstellen. Het constant trainen van de spieren kan leiden tot overbelasting.

Zorg en onderhoud

- Smeer bewegende onderdelen regelmatig met wd-40 of lichte olie.
- Inspecteer en draai alle onderdelen aan voordat u het apparaat gebruikt.
- Maak het apparaat schoon met een doek bevochtigd met een mild, niet-schurend schoonmaakmiddel. Gebruik geen oplosmiddelen.
- Controleer het apparaat regelmatig op tekenen van slijtage of beschadiging.

- Vervang defecte componenten direct en/of stel het apparaat buiten gebruik tot het is gerepareerd.
- Indien het apparaat niet regelmatig wordt gecontroleerd, kan het gebruik ervan onveilig worden.

Aanvullende informatie

Afvoeren van verpakkingsmateriaal

Overheids-richtlijnen geven aan dat we de hoeveelheid afvalmateriaal afgevoerd naar stortplaatsen moeten verminderen. Daarom vragen we u al het afvalmateriaal op verantwoorde wijze af te voeren naar openbare recycling-centra.

Verwijdering aan het eind van de levensduur.

We hopen dat u jarenlang plezier hebt van uw fitnessapparaat. Er komt echter een moment waarop het fitnessapparaat het eind van de bruikbare levensduur heeft bereikt. Onder de Europese AEEA-wetgeving bent u verantwoordelijk voor het op de juiste wijze afvoeren van uw fitnessapparaat naar een erkend openbaar inzamelpunt.

Beperkte garantie

Tunturi New Fitness garandeert dat dit product, bij normaal gebruik en onderhoud, vrij is van defecten in materiaal en fabricage voor een periode van twee jaar op het frame en één jaar op alle andere onderdelen en componenten na de datum van aankoop. Deze garantie geldt alleen voor de oorspronkelijke koper en geldt alleen voor thuisgebruik. De aansprakelijkheid van Tunturi New Fitness onder deze garantie is beperkt tot het vervangen van beschadigde of defecte onderdelen, zulks uitsluitend ter beoordeling door Tunturi New Fitness.

Alle retourzendingen moeten vooraf worden geautoriseerd door Tunturi New Fitness. Deze garantie is niet toepasbaar voor een product of schade aan een product ten gevolge van het transport, misbruik, verkeerd of oneigenlijk gebruik, eigen reparaties door de koper of voor producten gebruikt voor commerciële doeleinden of verhuurdoeleinden.

Enkel de bovengenoemde specifieke garanties zijn goedgekeurd door Tunturi New Fitness.

Tunturi NewFitness is niet verantwoordelijk of aansprakelijk voor bijzondere, indirecte of gevolgschade die voortkomt uit of verband houdt met het gebruik of de prestaties van het product of andere schade met betrekking tot verlies van eigendom of kapitaal, winstderving of inkomstenverlies, gebruiks- of genotsderving, kosten voor verwijdering, installatie of andere gevolgschade van welke aard dan ook.

Bovenbedoelde garantie komt in de plaats van alle overige garanties. Het bereik en de duur van alle impliciete garanties van verkoopbaarheid en geschiktheid voor een bepaald doel zijn beperkt tot de voorwaarden beschreven in dit document.

Uw wettelijke rechten worden niet beïnvloed door deze voorwaarden.

Defecten en storingen

Ondanks voortdurende kwaliteitscontrole kan het gebeuren dat het toestel door individuele onderdelen defect is of niet goed werkt. In de meeste gevallen zal het voldoende zijn om het defecte onderdeel te vervangen.

- Als het toestel niet goed werkt, neem dan onmiddellijk contact op met de dealer.

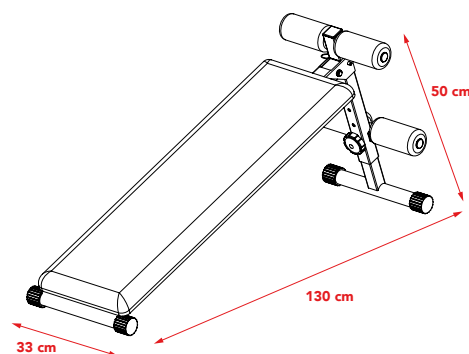
- Geef het modelnummer en serienummer van het toestel op aan de dealer. Vertel wat de aard van het probleem is, hoe het toestel wordt gebruikt en wanneer u het toestel heeft gekocht.

Ga voor contactgegevens en producthandleidingen in andere talen naar onze websites:

Maximale belasting en afmetingen

(Fig. W#1)

- Maximum belasting gewicht : 135 kg.
- Afmetingen na montage: 189,5 x 184 x 208,5 cm.



Disclaimer

© 2020 Tunturi New Fitness BV
Alle rechten voorbehouden.

Het product en de handleiding zijn aan veranderingen onderhevig. Specificaties kunnen zonder verdere kennisgeving worden veranderd.

Italiano

Questo manuale in lingua italiana è una traduzione dalla versione originale del manuale in lingua inglese.

Non si possono trarre diritti di traduzione dalla presente traduzione.

Indice

Prima di iniziare	35
Avviso importante sulla sicurezza.....	35
Istruzioni di sicurezza aggiuntive.....	35
Informazioni importanti sull'assemblaggio	36
Assemblaggio	36
Serrare dadi e bulloni.....	36
Installazione delle piastre pesi	36
Note sul funzionamento	36
Selezione delle piastre pesi.....	36
Utilizzo.....	36
Aprire e ripiegare.....	36
Regolazione dell'inclinazione dello schienale	37
Regolazione della posizione del sedile verticale.....	37
Grafico di resistenza dei pesi	37
Linee guida per gli esercizi	37
Sviluppo muscolare e aumento di peso.....	37
Forza e resistenza muscolare.....	37
Allenamento dell'intensità	37
Inizio di un programma di sviluppo della forza	37
Cura e manutenzione.....	38
Informazioni aggiuntive.....	38
Garanzia limitata.....	38
Difetti e malfunzionamenti	38
Capacità peso e dimensioni	38
Dichiarazione di non responsabilità.....	38

Prima di iniziare

Grazie per avere scelto lo

Sviluppatore per glutei e cosce Tunturi HG80 Home Gym..

Per la propria sicurezza e per il proprio vantaggio, leggere attentamente questo manuale prima di utilizzare l'attrezzatura. Ci impegniamo a garantire una completa soddisfazione del cliente. Per eventuali domande, o nel caso in cui siano presenti parti mancanti o danneggiate, garantiamo al cliente una soddisfazione completa tramite assistenza diretta.

Per evitare ritardi non necessari, contattare il nostro reparto servizio clienti, dal lunedì al venerdì dalle 9.00 alle 17.00 GMT+1.

Tunturi New Fitness B.V.

www.tunturi.com

Avviso importante sulla sicurezza

Questa attrezzatura per l'esercizio fisico è stata progettata per garantire una sicurezza ottimale. Tuttavia, è necessario applicare alcune precauzioni ogni volta che si utilizza un'attrezzatura per l'esercizio fisico. Assicurarsi di leggere interamente il manuale prima di assemblare o utilizzare l'attrezzatura. In particolare, tenere presente le seguenti precauzioni di sicurezza:

- Mantenere i bambini e gli animali sempre lontani dall'attrezzatura. NON lasciare i bambini senza sorveglianza nella stanza in cui è presente l'attrezzatura.
- L'attrezzatura deve essere utilizzata da una sola persona alla volta.
- Se l'utente presenta stordimenti, nausea, dolori al petto o qualsiasi altro sintomo anomalo, TERMINARE l'allenamento immediatamente. CONSULTARE IMMEDIATAMENTE UN MEDICO. Posizionare l'attrezzatura in una superficie pulita e piana. NON usare l'attrezzatura vicino all'acqua o all'esterno.
- Mantenere le mani lontane da tutte parti in movimento.
- Indossare sempre un abbigliamento appropriato per l'esercizio fisico durante l'allenamento. NON indossare accappatoi o altro tipo di abbigliamento che potrebbe impigliarsi nell'attrezzatura. Quando si utilizza l'attrezzatura è richiesto l'uso di scarpe da corsa o aerobica. Utilizzare l'attrezzatura solo per lo scopo previsto come descritto in questo manuale. NON utilizzare allegati non consigliati dal produttore.
- Non posizionare oggetti appuntiti vicino all'attrezzatura.
- I disabili non devono usare l'attrezzatura.
- Prima di utilizzare l'attrezzatura per l'allenamento, eseguire sempre esercizi di stretching per il riscaldamento.
- Non utilizzare mai l'attrezzatura se non funziona correttamente.
- Durante la sessione di allenamento è consigliata la presenza di un osservatore.
- Questa attrezzatura è stata progettata e pensata solo per l'uso in casa e da parte del consumatore, non per l'uso commerciale.

Istruzioni di sicurezza aggiuntive

- Durante gli esercizi le mani devono essere tenute lontane dalle barre di guida dei pesi.
- Non rimettere mai dei pesi durante gli esercizi.
- Evitare che la corda sfregi contro eventuali parti taglienti.
- Quando si seleziona un peso, spingere sempre dentro il perno fino in fondo.
- I bambini possono usare questo attrezzo solamente sotto la diretta supervisione di una persona adulta competente. Non si devono mai lasciare dei bambini da soli vicino alla macchina.
- Prima di eseguire qualsiasi esercizio, accertarsi che il corpo si trovi nella posizione corretta, per evitare di farsi male

⚠ ATTENZIONE

- Quando si utilizza la barra latissimus, bisogna selezionare il carico prima di montare la barra stessa.
- Se nel frattempo si cambia il peso, si deve tenere il peso più in alto per evitare che la barra cada giù.

Avviso:

Prima di iniziare qualsiasi programma di allenamento, consultare il proprio medico. Ciò risulta particolarmente importante per gli individui di età superiore ai 35 anni o per le persone con problemi di salute preesistenti.

Leggere tutte le istruzioni prima di utilizzare una qualsiasi attrezzatura per l'allenamento.

Tunturi New fitness bv. non si assume alcuna responsabilità per ferite personali o per danni alle proprietà causati dal prodotto o dal suo utilizzo.

Conservare queste istruzioni!

Informazioni importanti

sull'assemblaggio

Strumenti richiesti per assemblare la panca:
Due chiavi regolabili.

NOTA

- È fortemente consigliato che l'assemblaggio di questa attrezzatura venga effettuato da due o più persone per evitare eventuali ferite.
- Assicurarsi di inserire bulloni a testa tonda attraverso i fori QUADRATI nei componenti da assemblare. Collegare le rondelle solo alla parte finale dei bulloni a testa tonda.
- Assicurarsi di inserire bulloni Allen o a testa esagonale attraverso i fori ROTONDI nei componenti da assemblare.
- Attendere sempre che tutti i bulloni vengano assemblati nella panca prima di fissarli. Non fissare ciascun bullone non appena installato.

Assemblaggio

(Fig. A)

ATTENZIONE

- Assemblare l'apparecchio nell'ordine indicato.
- Per trasportare e spostare l'apparecchio sono necessarie almeno due persone.

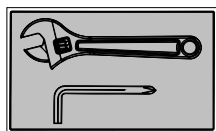
AVVISO

- Collocare l'apparecchio su una superficie stabile e in piano.
- Collocare l'apparecchio su una base protettiva per evitare danni alla superficie del pavimento.
- Mantenere uno spazio libero di almeno 1 m intorno all'apparecchio.
- Consultare le illustrazioni per il corretto assemblaggio dell'apparecchio.

NOTA

- Conservare tutti gli utensili forniti con questo prodotto, dopo aver completato il montaggio del prodotto, per eventuali necessità di assistenza in futuro.

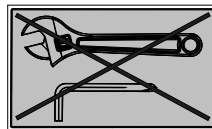
Serrare dadi e bulloni



Fissare saldamente dadi e bulloni una volta che tutti i componenti sono stati assemblati nei passaggi correnti e precedenti.

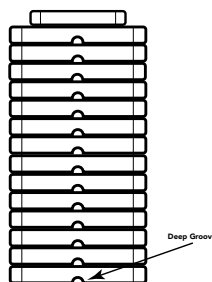
NOTA

- Non serrare eccessivamente qualsiasi componente avente la funzione di perno.
- Assicurarsi che tutti i componenti siano in grado di muoversi liberamente.

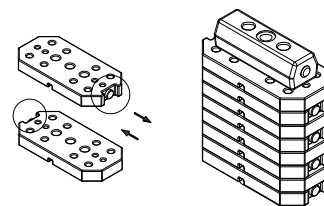


Non fissare tutti i dadi e i bulloni in questo passaggio.

Installazione delle piastre pesi



Inserire le piastre pesi nell'asta guida dall'alto in basso. La scanalatura profonda presente in ciascuna piastra pesi deve essere rivolta di fronte e verso il basso.



Note sul funzionamento

Selezione delle piastre pesi

- Utilizzare il perno di selezione dei pesi per scegliere il numero di piastre pesi con cui effettuare gli esercizi.
- Non inserire il perno di selezione dei pesi mentre la pila di pesi o la piastra superiore sono in posizione elevata.
- Accertarsi che il perno di selezione dei pesi sia inserito completamente.
- Ciascuna piastra pesi ha un peso di circa 5 kg.
- Fare riferimento alla pagina del Grafico di resistenza dei pesi.
- Non usare mai manubri o altri mezzi per aumentare la resistenza dei pesi. Utilizzare solo piastre pesi fornite dal produttore.
- Per scopi di sicurezza quando l'attrezzatura non è in uso. Inserire il perno di blocco nel foro nell'asta guida per impedire il movimento delle piastre pesi.

Utilizzo

Aprire e ripiegare.

(Fig. Use #1)

Estrarre il perno di blocco dal giunto e piegare l'attrezzatura, quindi bloccare con il perno di blocco.

Regolazione dell'inclinazione dello schienale

(Fig. Use #2)

- Tirare la manopola di regolazione.
- Spostare lo schienale nella posizione richiesta.
- Rilasciare la manopola di regolazione.

Regolazione della posizione del sedile verticale

(Fig. Use #3)

- Tirare la manopola di regolazione.
- Spostare il sedile nella posizione richiesta.
- Rilasciare la manopola di regolazione.

Grafico di resistenza dei pesi

Piastra peso	Tiro laterale	Puleggia inferiore
1	12	12
2	18	18
3	24	24
4	36	36
5	42	42
6	48	48
7	54	54
8	60	60
9	66	66
10	72	72
11	78	78
12	84	84
13	90	90
14	96	96

NOTA

- Ciascuna piastra pesa 5 kg.
- I numeri sono approssimativi
- I pesi effettivi possono variare.
- I valori per la farfalla si riferiscono a ciascun braccio.

I valori sono visualizzati in kg

Linee guida per gli esercizi

Sviluppo muscolare e aumento di peso

A differenza degli esercizi aerobici, che enfatizzano l'allenamento alla resistenza, gli esercizi anaerobici si focalizzano sull'allenamento della forza. Durante lo sviluppo delle dimensioni e della forza dei muscoli si può verificare un graduale aumento di peso. Mentre si sviluppa la massa muscolare, il corpo si adatta allo stress ricevuto. È possibile modificare la propria dieta includendo cibo come carne, pesce e verdura.

Questo cibo consente il recupero dei muscoli e il reintegro di importanti nutrienti dopo un allenamento intenso.

Forza e resistenza muscolare

Per ottenere i vantaggi migliori dagli esercizi, è importante sviluppare un programma di esercizi che consenta di far lavorare in modo equo tutti i principali gruppi di muscoli.

Per aumentare la forza dei muscoli, seguire questo principio: L'aumento della resistenza e il mantenimento del numero di ripetizioni di un esercizio comporta un aumento della forza muscolare. Per tonificare il corpo, seguire questo principio: La diminuzione della resistenza e l'aumento del numero di ripetizioni di un esercizio comporta un aumento del tono muscolare.

Una volta che ci si trova a proprio agio con un esercizio, è possibile modificare la resistenza, il numero di ripetizioni o la velocità di esecuzione dell'esercizio. Non è necessario cambiare tutte e tre le variabili. Facciamo l'esempio di un allenamento con 10 kg e con l'esecuzione dell'esercizio per 10 volte in 3 minuti. Quando l'esercizio diventa troppo facile, si potrebbe decidere di iniziare a sollevare 12 kg per lo stesso numero di ripetizioni e nello stesso periodo di tempo. Il sollevamento di un peso maggiore per un tempo minore spesso sviluppa forza muscolare. Per ottenere sia forza che resistenza muscolare, si consiglia di eseguire ciascun esercizio con un numero di ripetizioni da 15 a 20 per serie.

Allenamento dell'intensità

L'intensità dell'allenamento dipende dal proprio livello di fitness complessivo. L'eventuale dolore provato può essere diminuito riducendo il carico sui muscoli ed eseguendo un numero minore di serie.

Per evitare ferite, è necessario lavorare in modo graduale a un programma di esercizi e definire il carico per il proprio livello di forma individuale. Il carico deve essere aumentato assieme all'aumento del livello di forma.

Il dolore muscolare è abbastanza comune, specialmente quando si inizia per la prima volta a eseguire gli esercizi. Se il dolore continua per un lungo periodo, potrebbe essere necessario cambiare programma. Dopo un po', il proprio sistema muscolare si abituerà alla sollecitazione e allo sforzo che riceve.

Inizio di un programma di sviluppo della forza

Riscaldamento

Per iniziare ad allenare la forza, è importante effettuare stretching ed eseguire esercizi leggeri per un periodo da 5 a 10 minuti. Ciò consente di preparare il corpo all'esecuzione di esercizi più intensi aumentando la circolazione, aumentando la temperatura corporea e sviluppando più ossigeno nei muscoli.

Allenamento

Per ciascun allenamento è importante ricordare che non è desiderabile la presenza di un dolore muscolare prolungato, poiché ciò potrebbe significare la presenza di una lesione.

Raffreddamento

Al termine di ciascun allenamento, eseguire esercizi di stretching lenti per 5 - 10 minuti. Eseguire ciascun esercizio di stretching solo per l'intensità sopportata. Ciò consente ai propri muscoli di rilassarsi dopo l'allenamento.

Per ottenere un programma di allenamento totale si consiglia inoltre di eseguire da 2 a 3 giorni di esercizi aerobici in aggiunta all'allenamento della forza.

Assunzione di acqua

Per un funzionamento ottimale, è necessario che il corpo venga idratato in modo corretto. Durante gli esercizi è necessario aumentare l'assunzione di fluidi. Il motivo è che l'acqua assunta uscirà dal sistema attraverso il meccanismo di sudorazione che raffredda il corpo durante gli esercizi. L'acqua persa attraverso gli esercizi deve essere sostituita per consentire un recupero corretto dei muscoli.

Giorno di riposo

Anche se si pensa che potrebbe non essere necessario, prendersi un giorno di riposo almeno una volta alla settimana è importante perché offre al corpo la possibilità di risanarsi. Un allenamento continuo dei muscoli comporterà un sovrallenamento che nel lungo periodo non porterà vantaggio.

Cura e manutenzione

- Lubrificare periodicamente le parti in movimento con WD-40 o olio leggero.
- Ispezionare e fissare tutte le parti prima di usare l'attrezzatura.
- L'attrezzatura può essere pulita utilizzando un panno umido e un detergente lieve non abrasivo. NON utilizzare solventi.
- Esaminare regolarmente l'attrezzatura per rilevare la presenza di segni di danneggiamento o usura.
- Sostituire immediatamente i componenti difettosi e/o evitare di utilizzare l'attrezzatura finché non sarà riparata.
- Se l'attrezzatura non viene esaminata regolarmente, ciò potrebbe influire sul livello di sicurezza.

Informazioni aggiuntive

Smaltimento dell'imballo

Le linee guida governative chiedono di ridurre la quantità di rifiuti smaltiti nelle discariche. Per questo vi chiediamo di smaltire in modo responsabile tutti i rifiuti d'imballo presso dei centri di riciclaggio pubblici.

Smaltimento a fine vita

Noi di Tunturi speriamo che possiate godervi molti anni di piacevole uso dal nostro fitness trainer. Tuttavia, arriverà il momento quando il vostro fitness trainer arriverà alla fine della sua vita utile. Secondo la Legislazione Europea WEEE voi siete responsabili per uno smaltimento appropriato del vostro fitness trainer presso una struttura di raccolta pubblica autorizzata.

Garanzia limitata

Tunturi New Fitness garantisce che questo prodotto è privo di difetti di costruzione e materiali, in base all'uso e alle condizioni di servizio normali, per un periodo di due anni per il telaio e di un anno per tutte le altre parti e componenti dalla data di acquisto. Questa garanzia si estende solo all'acquirente originale. L'obbligo di Tunturi New Fitness in base alla presente Garanzia è limitato alla sostituzione di parti danneggiate o guaste a discrezione di Tunturi New Fitness.

Tutti i resi devono essere preventivamente autorizzati da Tunturi New Fitness. La presente garanzia non si estende ad alcun prodotto o danno a prodotto causato o attribuibile a danneggiamento per carico, abuso, cattivo utilizzo, uso improprio o anomalo, riparazioni autonome da parte dell'acquirente o a prodotti utilizzati per scopi commerciali o di noleggio. Tunturi New Fitness non autorizza alcuna altra garanzia oltre a quella indicata sopra.

Tunturi New Fitness non è responsabile né si assume alcun obbligo per danni indiretti, speciali o consequenziali derivanti dall'uso o dalle prestazioni del prodotto, o ad essi connessi, o altri danni in relazione a qualsiasi perdita economica, perdita di proprietà, perdita di entrate o profitti, perdita di godimento o uso, costo di rimozione, installazione o altri danni consequenziali o di qualsiasi altra natura.

La garanzia qui esposta sostituisce qualsiasi altra garanzia, mentre qualsiasi garanzia implicita di commerciabilità o idoneità per uno scopo particolare è limitata nel proprio ambito e durata ai termini qui indicati.

Ciò non influisce sui propri diritti legali.

Difetti e malfunzionamenti

Nonostante il costante controllo di qualità, i singoli componenti possono causare difetti e malfunzionamenti all'apparecchio. Nella maggior parte dei casi, è sufficiente sostituire i componenti difettosi.

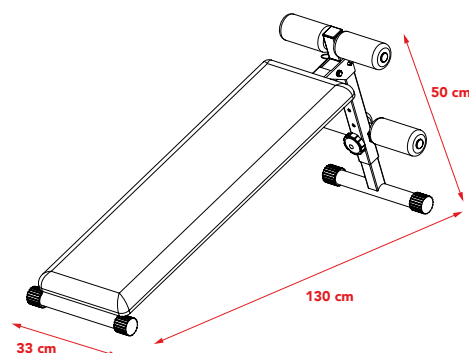
- Se l'apparecchio non funziona correttamente, contattare immediatamente il rivenditore.
- Fornire il numero di modello e il numero di serie dell'apparecchio al rivenditore. Comunicare la natura del problema, le condizioni d'uso e la data d'acquisto.

Ulteriori informazioni di contatto o manuali utente in altre lingue sono disponibili sul nostro sito Web.

Capacità peso e dimensioni

(Fig. W#1)

- Peso massimo del carico : 135 kg.
- Dimensioni assemblaggio: 189,5 x 184 x 208,5 cm.



Dichiarazione di non responsabilità

© 2020 Tunturi New Fitness BV
Tutti i diritti riservati.

Il prodotto e il manuale sono soggetti a modifiche. Le specifiche possono essere modificate senza ulteriori avvisi.

Español

Este manual español es una traducción del texto inglés. No se pueden derivar derechos de esta traducción. El texto original en inglés prevalecerá.

Índice

Antes de empezar	39
Aviso importante de seguridad	39
Instrucciones de seguridad adicionales	39
Información importante sobre montaje	40
Montaje	40
Apriete de tuercas y tornillos	40
Información importante Instalación de las pesas planas	40
Notas de la operación	40
Selección de las pesas planas	40
Uso	40
Desplegado y plegado de la máquina	40
Ajuste de la inclinación del respaldo	41
Ajuste horizontal del sillín	41
Tabla de resistencias de las pesas	41
Indicaciones para los ejercicios	41
Fortalecimiento de los músculos y aumento de peso	41
Fuerza y resistencia de los músculos	41
Intensidad del entrenamiento	41
Inicio de un programa de fortalecimiento muscular	41
Cuidado y mantenimiento	42
Información adicional	42
Garantía limitada	42
Defectos y fallos	42
Peso máximo admisible y dimensiones	42
Descargo de responsabilidad	42

Antes de empezar

Le agradecemos que haya optado por el banco de musculación estándar Tunturi HG80 Home Gym.. Ara su seguridad y provecho, lea atentamente este manual antes de utilizar el equipo. Como distribuidores, mantenemos el compromiso de ofrecerle el máximo nivel de satisfacción en calidad de cliente. Si desea formular alguna pregunta u observa que alguna pieza está dañada o ausente, le garantizamos el nivel absoluto de satisfacción a través de una asistencia directa.

Para evitar retrasos innecesarios, póngase en contacto con nuestro Departamento de Asistencia al Cliente, de lunes a viernes entre 9:00 y 17:00 GMT + 1 hora.

Tunturi New Fitness B.V.
www.tunturi.com

Aviso importante de seguridad

Este equipo de fitness se ha fabricado para ofrecer un nivel óptimo de seguridad. Sin embargo, es preciso adoptar determinadas precauciones al manejar alguna pieza del equipo de fitness. Asegúrese de leer el manual completo antes de instalar o de utilizar el equipo. En particular, tenga en cuenta las siguientes precauciones de seguridad:

- Mantenga a los niños y las mascotas alejados del equipo en todo momento. NO deje haya ningún niño desatendido en la sala donde se encuentra el equipo.
- Sólo se puede utilizar el equipo de uno en uno.
- Si el usuario siente mareo, náusea, dolor de pecho o cualquier otro síntoma anormal, DETENGA inmediatamente el ejercicio. PÓNGASE EN CONTACTO CON UN MÉDICO INMEDIATAMENTE.
- Sitúe el equipo en una superficie despejada y nivelada. NO utilice el equipo cerca del agua o en exteriores.
- Mantenga las manos lejos de todas las piezas móviles.
- Lleve siempre puesta ropa deportiva adecuada al utilizar el equipo. NO se ponga ropa ni prendas que puedan quedar atrapadas en el equipo. También es preciso llevar zapatillas de jogging o aeróbic al utilizar el equipo.
- Utilice el equipo exclusivamente con el fin para el que fue concebido y que se describe en este manual. NO utilice accesorios no recomendados por el fabricante.
- No deje ningún objeto afilado en torno al equipo.
- Las personas discapacitadas no deben utilizar el equipo.
- Antes de utilizar el equipo en una sesión, realice ejercicios de estiramiento para calentar adecuadamente.
- Nunca utilice el equipo si su funcionamiento no es el adecuado.
- Se recomienda que durante el ejercicio esté presente un observador.
- Este equipo se ha diseñado y concebido exclusivamente para uso doméstico y por el consumidor, no para uso comercial.

Instrucciones de seguridad adicionales

- Al realizar ejercicios, las manos deben mantenerse alejadas de las barras guía de las pesas.
- Nunca reajuste las pesas mientras realiza ejercicios.
- Impida que el cable entre en contacto con elementos afilados.
- Al seleccionar una pesa, siempre empuje el pasador hasta el fondo.
- Los niños deben usar este equipo exclusivamente bajo la supervisión directa de un adulto informado y responsable. En ningún caso se debe dejar desatendidos a niños en las proximidades de la máquina.
- Antes de llevar a cabo un ejercicio, asegúrese de que el cuerpo se encuentra en la posición correcta para evitar lesiones.

⚠ ADVERTENCIA

- Si se va a utilizar la empuñadura de dorsales, en primer lugar se debe seleccionar la carga, antes de poner la empuñadura.
- Si entretanto se modifica el peso, es preciso sujetar la pesa superior para evitar que la empuñadura caiga.

Advertencia:

Antes de comenzar un programa de ejercicios, consulte a su médico. Esto es especialmente importante para personas de más de 35 años de edad o que hayan padecido previamente problemas de salud. Lea todas las instrucciones antes de utilizar cualquier equipo de fitness. Tunturi New Fitness bv no asume ninguna responsabilidad por las lesiones personales ni los daños sobre la propiedad provocados por el uso de este producto o que se deriven del mismo.

Guarde estas instrucciones!**Información importante sobre montaje**

Herramientas requeridas para el montaje del banco: dos llaves inglesas y llaves allen.

NOTA

- Se recomienda encarecidamente que el montaje de este equipo sea realizado por dos personas o más para evitar posibles lesiones.
- Asegúrese de que los tornillos de transporte se encuentran insertados en los orificios cuadrados de los componentes que se tienen que montar. Acople una arandela únicamente al extremo del tornillo de transporte.
- Use tornillos allen o tornillos de cabeza hexagonal insertados en el orificio circular de los componentes que se tienen que montar.
- Antes de apretar los tornillos, espere siempre a que se hayan instalado todos ellos en el banco. No apriete cada tornillo inmediatamente después de haberlo instalado.

Montaje

(Fig. A)

ADVERTENCIA

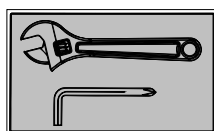
- Monte la máquina en el orden indicado.
- Al menos dos personas deben transportar y mover la máquina.

PRECAUCIÓN

- Coloque la máquina sobre una superficie firme y nivelada.
- Coloque la máquina sobre una base protectora para evitar daños en la superficie del suelo.
- Deje unos 100 cm de espacio alrededor de la máquina.
- Consulte las ilustraciones para el correcto montaje de la máquina.

NOTA

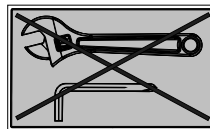
- Guarde las herramientas suministradas con este producto una vez que haya completado el montaje del producto, para futuros fines de servicio.

Apriete de tuercas y tornillos

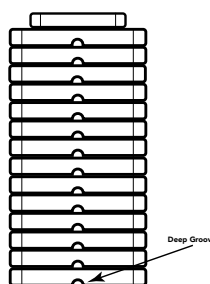
Apriete firmemente todos los tornillos y las tuercas cuando se hayan ensamblado todos los componentes correspondientes al paso actual y los anteriores.

NOTA

- No apriete en exceso ningún componente de funcionamiento pivotante.
- Asegúrese de que todos los componentes pivotantes pueden moverse con libertad.

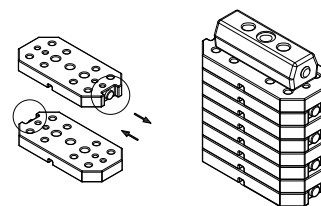


No apriete todos los tornillos y las tuercas en este paso.

Información importante Instalación de las pesas planas

Deslice las pesas por la varilla guía desde arriba hasta la parte inferior.

Es preciso que la ranura profunda de cada pesa se oriente hacia adelante y hacia abajo

**Notas de la operación****Selección de las pesas planas**

- Utilice el pasador selector de pesas para regular el número de pesas planas que se desea en el ejercicio.
- No inserte el pasador selector de pesas cuando la columna de pesas o la placa superior estén en posición elevada.
- Asegúrese de que el pasador selector de peso queda totalmente introducido.
- El peso aproximado de cada pesa plana es de 5 kg.
- Consulte la página de la Tabla de resistencias de las pesas.
- Nunca utilice mancuernas ni ningún otro elemento para aumentar la resistencia que ofrecen las pesas. Utilice exclusivamente pesas planas proporcionadas por el fabricante.
- Por motivos de seguridad cuando no se usa el equipo. Inserte el pasador de bloqueo en el orificio de la varilla guía, impidiendo así el movimiento de las pesas planas.

Uso**Desplegado y plegado de la máquina**

(Fig. Use #1)

Saque el pasador de la articulación y doble el equipo, la fijación por el pasador de bloqueo.

Ajuste de la inclinación del respaldo

(Fig. Use #2)

- Tire de la perilla de ajuste.
- Mueva el respaldo a la posición deseada.
- Suelte el botón de ajuste.

Ajuste horizontal del sillín

(Fig. Use #3)

- Tire de la perilla de ajuste.
- Mover el sillín a la posición deseada.
- Suelte el botón de ajuste.

Tabla de resistencias de las pesas

Placa de peso	tirón lat	Poulie basse
1	12	12
2	18	18
3	24	24
4	36	36
5	42	42
6	48	48
7	54	54
8	60	60
9	66	66
10	72	72
11	78	78
12	84	84
13	90	90
14	96	96

NOTA

- El peso de cada pesa es de 5 kg.
- Los valores son aproximados.
- Los pesos reales pueden variar.
- El valor en la mariposa es para cada brazo.

Los valores se muestran en kg.

Indicaciones para los ejercicios

Fortalecimiento de los músculos y aumento de peso

A diferencia del ejercicio aeróbico, que se centra en el entrenamiento de resistencia, el ejercicio anaeróbico se basa en el entrenamiento de fuerza. Puede que se produzca un aumento gradual de peso a medida que aumenta el tamaño y la fuerza de los músculos. Al desarrollar masa muscular, su cuerpo se adapta a la tensión a la que se le ha sometido. Puede modificar la dieta incluyendo alimentos tales como carne, pescado y verduras. Esos alimentos facilitan la recuperación de los músculos y permiten reponer nutrientes importantes tras una sesión extenuante.

Fuerza y resistencia de los músculos

Para aprovechar al máximo el entrenamiento, es importante que desarrolle un programa de ejercicios que le permita trabajar por igual todos los grupos musculares principales.

Para aumentar la fuerza de los músculos, siga este principio: incrementar la resistencia y mantener el número de repeticiones de un ejercicio da como resultado el aumento de la fuerza muscular.

Para tonificar el cuerpo, siga este principio: reducir la resistencia y aumentar el número de repeticiones de un ejercicio da como resultado el aumento del tono corporal. Una vez que se sienta cómodo con un ejercicio, puede modificar la resistencia, el número de repeticiones o la velocidad con la que realiza el ejercicio.

No es necesario modificar las tres variables. Por ejemplo, supongamos que el ejercicio se realiza con 10 kg. y 10 repeticiones en 3 minutos. Cuando empieza a ser demasiado sencillo, se puede decidir el aumento a 12 kg. para el mismo número de repeticiones y en el mismo tiempo. La consecuencia más frecuente de elevar más peso menos veces es el desarrollo de la fuerza muscular. Para conseguir tanto fuerza como resistencia muscular, se recomienda ejecutar entre 15 y 20 repeticiones por serie de cada ejercicio.

Intensidad del entrenamiento

La dureza con la que comience a entrenar depende de su estado de forma general. Se puede atenuar el dolor muscular que se siente reduciendo la carga a la que se someten los músculos y realizando menos series. Para evitar lesiones, es preciso proceder a un trabajo gradual según un programa de ejercicios y ajustar la carga al estado de forma particular. La carga debe aumentar a medida que mejora el nivel de forma.

Es habitual sentir dolor muscular, especialmente cuando se empieza a ejecutar ejercicios. Si se siente dolor muscular durante mucho tiempo, puede ser conveniente cambiar el programa. Eventualmente, el sistema muscular se acostumbrará a la tensión y el esfuerzo a los que se somete.

Inicio de un programa de fortalecimiento muscular

Calentamiento

Para comenzar un entrenamiento de fuerza, es importante calentar y realizar ejercicios suaves durante entre 5 y 10 minutos. De este modo se facilita la preparación del cuerpo para ejercicios más exigentes al aumentar la circulación, elevar la temperatura corporal y desarrollar la conducción de más oxígeno a los músculos.

Sesión

En cada sesión es preciso tener presente que no es deseable sentir dolor muscular durante mucho tiempo y que puede significar que se ha producido una lesión.

Recuperación

Al final de cada sesión, realice lentamente ejercicios de estiramiento durante entre 5 y 10 minutos. Ejecute cada estiramiento llegando solamente hasta donde pueda. Esta fase permite que los músculos se relajen tras el entrenamiento.

Para que el programa de entrenamiento sea completo, también se recomienda dedicar 2 o 3 días a ejercicios aeróbicos de modo adicional al entrenamiento de fuerza.

Ingesta de agua

Para que el cuerpo funcione adecuadamente, es preciso hidratarlo de modo apropiado. Si está haciendo ejercicio, debe aumentar la ingesta de fluidos. La razón para ello es que el agua que toma abandonará el sistema a través del sudor que sirve para refrigerar el cuerpo cuando se hace ejercicio. Es preciso que reponga el agua que pierde debido al ejercicio de modo que los músculos se puedan recuperar adecuadamente.

Día de descanso

Aunque pueda no sentir necesidad de hacerlo, es importante tomar por lo menos un día de descanso a la semana para ofrecer al cuerpo la oportunidad de curarse por sí mismo del esfuerzo.

El trabajo muscular continuado provocará un exceso de entrenamiento que no será beneficioso a largo plazo

Cuidado y mantenimiento

- Lubrique periódicamente las piezas móviles con wd-40 u aceite ligero.
- Inspeccione y apriete todas las piezas antes de utilizar el equipo.
- El equipo se puede limpiar utilizando un paño húmedo y detergente neutro no abrasivo. No utilice disolventes.
- Examine con regularidad el equipo para verificar que no hay indicios de daños ni desgaste.
- Sustituya inmediatamente cualquier componente defectuoso y/o deje el equipo fuera de servicio hasta su reparación.
- Si no se realizan las tareas de inspección periódica, el nivel de seguridad del equipo puede verse afectado.

Información adicional

Eliminación de embalajes

Las pautas gubernamentales exigen reducir la cantidad de residuos que se depositan en los basureros. Por este motivo, le rogamos que deseche los embalajes de manera responsable en centros públicos de reciclaje.

Eliminación al final de la vida útil

Desde Tunturi esperamos que disfrute de su equipo de entrenamiento durante muchos años. No obstante, llegará un momento en que éste llegue al final de su vida útil. Conforme a la Directiva WEEE (relativa a la gestión de residuos procedentes de equipos eléctricos y electrónicos) le corresponde a usted la responsabilidad de desechar adecuadamente su equipo de entrenamiento en un centro público autorizado de recogida.

Garantía limitada

Tunturi New Fitness garantiza, en condiciones de uso normal y mantenimiento adecuado, la ausencia de defectos debidos a materiales o mano de obra en este producto durante un período de dos años en el bastidor y de un año en el resto de piezas y componentes, a partir de la fecha de compra. Esta garantía es aplicable exclusivamente al comprador original. Las obligaciones de tunturi new fitness relativas a la aplicación de esta garantía se limitan a la sustitución de las piezas dañadas o averiadas, a decisión de Tunturi New Fitness.

Todas las devoluciones deben ser previamente autorizadas por Tunturi New Fitness. Esta garantía no es aplicable a los productos cuyo deterioro esté causado por, o se pueda atribuir a, daños por transporte, maltrato, uso incorrecto, inadecuado o anormal,

reparaciones realizadas por los propios compradores o en productos empleados para fines comerciales o de alquiler.

Aparte de la garantía que se acaba de indicar específicamente, ninguna otra está autorizada por Tunturi New Fitness.

Tunturi New Fitness no podrá ser considerado responsable en caso de daños indirectos, especiales o consecuentes derivados de, o relacionados con, el uso o el funcionamiento del producto u otros daños relativos a pérdidas económicas, pérdida de propiedades, pérdida de ingresos o beneficios, pérdida de posibilidad de uso o disfrute, coste de retirada, instalación u otros daños consecuentes cualquiera que sea su naturaleza.

La garantía que figura a continuación sustituye a cualesquiera otras, y cualquier garantía implícita de comercialización o idoneidad para un propósito particular se limitará en su alcance y duración a los términos aquí establecidos.

En ningún caso se verán afectados sus derechos legales.

Defectos y fallos

A pesar del control de calidad continuo, la máquina puede presentar defectos y fallos ebidos a piezas individuales. En la mayoría de los casos, será suficiente sustituir la pieza defectuosa.

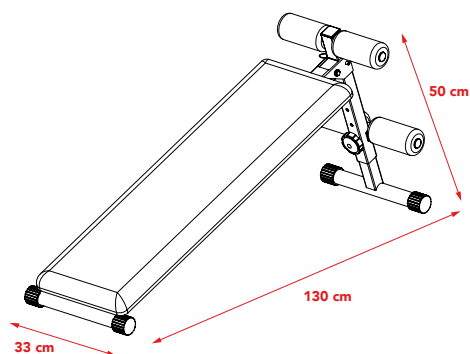
- Si la máquina no funciona correctamente, contacte inmediatamente con su proveedor.
- Facilite al proveedor el número de modelo y el número de serie de la máquina. Indique la naturaleza del problema, las condiciones de uso y la fecha de compra.

Información de contacto y manuales de los productos en otros idiomas se pueden encontrar en nuestros sitios web:

Peso máximo admisible y dimensiones

(Fig. W#1)

- Peso de la carga máxima : 135 kg.
- Dimensiones montado: 189,5 x 184 x 208,5 cm.



Descargo de responsabilidad

© 2020 Tunturi New Fitness BV
Reservados todos los derechos.

El producto y el manual están sujetos a cambios. Las especificaciones pueden cambiarse sin previo aviso.

På svenska

Denna handbok är en översättning av den engelska texten. Vi förbehåller oss rätten till eventuella översättningsfel. Den engelska originaltexten råder.

Index

Innan du börjar	43
Viktigt säkerhetsmeddelande	43
Ytterligare säkerhetsinformation	43
Viktig monteringsinformation	44
Montering.....	44
Åtdragning av skruvar och muttrar.....	44
Installation av viktplatta.....	44
Användningsinformation	44
Val av viktplatta	44
Användning	44
Fälla upp och fälla ihop utrustningen.....	44
Justering av ryggstödet lutning.....	44
Justering av den vertikala sitspositionen	44
Viktbelastningsschema	45
Riktlinjer för träning	45
Bygga muskler och gå upp i vikt.....	45
Muskelstyrka och uthållighet.....	45
Träningsintensitet.....	45
Börja ett styrketräningsprogram.....	45
Skötsel och underhåll	45
Ytterligare information	46
Begränsad garanti	46
Fel och funktionsstörningar.....	46
Viktkapacitet och dimension	46
Friskrivning.....	46

Innan du börjar

Tack för att du har valt

Tunturi HG80 Home Gym.

För din egen säkerhet och nytta ska du läsa denna bruksanvisning noga innan du använder utrustningen. Vi är fast beslutna att leverera fullständig kundnöjdhet. Om du har några frågor eller upptäcker att det finns saknade eller skadade delar så garanterar vi dig fullständig tillfredsställelse genom hjälp direkt.

För att undvika onödiga förseningar, vänligen kontakta vår kundtjänstavdelning måndag till fredag 09:00 – 17:00 GMT + 1 timme.

Tunturi New Fitness B.V.

www.tunturi.com

Viktigt säkerhetsmeddelande

Denna utrustning är konstruerad för optimal säkerhet. Vissa försiktighetsåtgärder gäller dock när du använder träningsutrustning. Var noga med att läsa hela bruksanvisningen innan du monterar eller använder din utrustning. Observera särskilt följande säkerhetsåtgärder:

- Håll alltid barn och husdjur borta från utrustningen. Lämna INTE barn obebakade i samma rum som utrustningen.
- Endast en person åt gången ska använda utrustningen.
- STOPPA OMEDELBART träningspasset om du som användare upplever yrsel, illamående, bröstsmärta eller andra onormala symptom. KONTAKTA OMEDELBART LÄKARE. Placera utrustningen på en fri, jämn yta. Använd INTE utrustningen nära vatten eller utomhus.
- Håll händerna borta från alla rörliga delar.
- Bär alltid lämplig träningskläder när du tränar. Använd INTE badrock eller annan klädsel som kan fastna i utrustningen. Löpar- eller träningskor är också nödvändiga vid användning av utrustningen. Använd endast utrustningen för det avsedda ändamålet och enligt beskrivningen i den här bruksanvisningen. Använd INTE tillbehör som inte rekommenderas av tillverkaren.
- Placera aldrig skarpa föremål i närheten av utrustningen.
- Handikappade personer bör inte använda utrustningen.
- Utför alltid stretchövningar för att värma upp ordentligt innan du använder utrustningen för att träna.
- Använd aldrig utrustningen om den inte fungerar korrekt.
- En medföljare rekommenderas vid träning.
- Denna utrustning är endast konstruerad och avsedd för hemma- och konsumentanvändning, inte för kommersiellt bruk.

Ytterligare säkerhetsinformation

- Under träningen måste händerna hållas från viktstacken.
- Reglera aldrig motståndet under användning.
- Undvik skyddskåpens kanter som kan ha vassa delar.
- När du väljer vikt, tryck alltid in sprinten till sitt fulla djup.
- Barn ska endast använda denna utrustning under direkt övervakning av en kunnig vuxen. Barn får inte lämnas utan uppsikt nära maskinen.
- Innan du startar din träning, se till att placera dig är i rätt position för att undvika skador.

⚠ VARNING

- När du använder latsdraghandtaget måste vikten väljas innan handtaget monteras.
- Om du skall reglera motståndet under träningspasset, måste du hålla fast den övre vikten för att förhindra handtaget från att falla ner.

Varning:

Rådfråga din läkare innan du börjar med ett träningsprogram. Detta är särskilt viktigt för personer över 35 års ålder eller personer som har hälsoproblem sedan tidigare.

Läs alla instruktioner innan du använder någon träningsutrustning. Tunturi New fitness bv. påtar sig inget ansvar för personskador eller egendomsskador som uppstår av eller vid användning av denna produkt.

Spara dessa instruktioner!

Viktig monteringsinformation

Verktyg som behövs för montering av bänken:

Två skiftnycklar.

⚠ OBS

- För att undvika risken för personskada rekommenderar vi starkt att utrustningen monteras av två eller fler personer.

- Säkerställ att vagnsbultar används i de FYRKANTIGA hålen på komponenter som ska monteras. Fäst endast brickor på vagnsbultens ände.
- Använd insexskruvar eller sexkantbultar i de RUNDA hålen på komponenter som ska monteras.
- Vänta alltid tills samtliga skruvar är monterade på bänken innan de dras åt. Dra inte åt varje skruv direkt efter att den installerats.

Montering

(Fig. A)

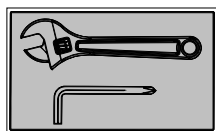
⚠ VARNING

- Montera utrustningen i angiven ordning.
- Var två om att bära och förflytta utrustningen.

⚠ OBS.

- Placera utrustningen på en stabil och jämn yta.
- Placera utrustningen på en skyddande grund för att förhindra att golvet skadas.
- Lämna åtminstone 100 cm fritt runt utrustningen.
- Illustrationerna visar det korrekta sättet att montera utrustningen.

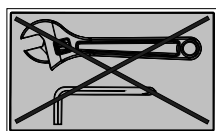
Åtdragning av skruvar och muttrar



Dra åt alla skruvar och muttrar ordentligt efter att alla komponenter har monterats i nuvarande och tidigare steg.

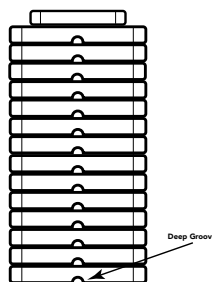
⚠ OBS

- Dra inte åt en komponent som har en rörlig funktion för hårt.
- Se till att alla vridbara komponenter kan röra sig fritt.

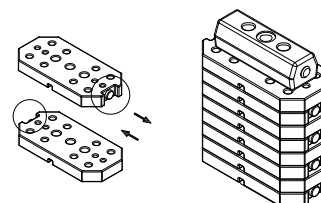


Dra inte åt alla skruvar och muttrar i detta steg.

Installation av viktplatta



Skjut viktplattorna på guidestången uppifrån och ned. Det djupa spåret på varje viktplatta måste vändas framåt och nedåt.



Användningsinformation

Val av viktplatta

- Använd viktväljarsprinten för att välja önskat antal viktplattor för din träning.
- Sätt inte i viktväljarsprinten medan viktstapeln eller toppplattan är i upphöjd position.
- Säkerställ att viktväljarsprinten är helt införd.
- Varje viktplatta väger cirka 5 kg.
- Se sidan med viktbelastningsschemat.
- Använd aldrig hantlar eller annat för att öka viktbelastningen. Använd endast viktplattor som tillhandahålls av tillverkaren.
- Av säkerhetsskäl när utrustningen inte används: Sätt i låssprinten i hålet på guidestången för att förhindra att viktplattorna rör sig.

Användning

Fälla upp och fälla ihop utrustningen

(Fig. Use #1)

Dra ut låsetappen från fogen och vik utrustningen, och säkra sedan med låsstiftet.

Justering av ryggstödet lutning

(Fig. Use #2)

- Dra ut justeringsknappen.
- Flytta ryggstödet till önskad position.
- Släpp justeringsknappen.

Justering av den vertikala sitspositionen

(Fig. Use #3)

- Dra ut justeringsknappen.
- Flytta sitsen till önskad position.
- Släpp justeringsknappen.

Viktbelastningsschema

Viktplatta	Lat. drag	Lågt drag
1	12	12
2	18	18
3	24	24
4	36	36
5	42	42
6	48	48
7	54	54
8	60	60
9	66	66
10	72	72
11	78	78
12	84	84
13	90	90
14	96	96

⚠ ANMÄRKNING

- Varje platta väger 5 kg.
- Siffrorna anger ungefärliga värden.
- Den verkliga vikten kan variera.
- Värdet för fjärlil gäller för varje arm.

Alla värden anges i kilo.

Riktlinjer för träning

Bygga muskler och gå upp i vikt

Till skillnad från aerobic-övningar, som betonar uthållighetsträning, fokuserar anaerobic-övningar på styrketräning. En gradvis viktökning kan uppstå när musklernas storlek och styrka byggs upp. Medan du utvecklar muskelmassan anpassar sig din kropp till de påfrestningar som läggs på den. Du kan modifiera din kost så att den inkluderar livsmedel som kött, fisk och grönsaker.

Dessa livsmedel hjälper musklerna att återhämta sig och fyller på viktiga näringsämnen efter ett ansträngande träningspass.

Muskelstyrka och uthållighet

För att uppnå största möjliga nytta av träningen är det viktigt att utveckla ett träningsprogram som gör att du kan arbeta igenom alla större muskelgrupper lika mycket.

Följ denna princip för att öka muskelstyrkan:

Ett ökande motstånd och upprätthållande av antalet upprepningar av en övning resulterar i ökad muskelstyrka.

Följ denna princip för att forma din kropp: Ett minskande motstånd plus ett ökat antal upprepningar av en övning resulterar i ökad kroppsformning.

När du känner dig bekväm med en övning kan du ändra motståndet, antalet upprepningar eller den hastighet som du genomför övningen på. Det är inte nödvändigt att ändra alla de tre variablerna. Låt oss till exempel säga att du tränar vid 10 kg och utför övningen 10 gånger på 3 minuter. När detta blir för lätt kan du bestämma dig för att lyfta 12 kg samma antal upprepningar på samma tid. Att lyfta högre vikter färre gånger utvecklar ofta muskelstyrka. För att uppnå både muskelstyrka och uthållighet rekommenderas att du repeterar varje övning 15 till 20 gånger per träningspass.

Träningsintensitet

Hur hårt du börjar träna beror på din övergripande konditionsnivå. Den eventuella ömhet du upplever kan minska genom att du minskar belastningen på dina muskler och genom att utföra färre pass.

För att undvika skada bör du gradvis arbeta dig in i ett träningsprogram och anpassa belastningen till din individuella konditionsnivå. Belastningen ska öka när din konditionsnivå ökar.

Träningsvärk är vanligt, särskilt när du först börjar träna. Om du har ont under en längre tid kan det vara dags att ändra ditt program. Så småningom blir ditt muskelsystem vant vid påfrestningarna och belastningarna.

Börja ett styrketräningsprogram

Uppvärmning

För att börja styrketräningen är det viktigt att stretcha och utföra lättare övningar under 5 till 10 minuter. Detta hjälper till att förbereda kroppen på mer ansträngande övningar genom att öka cirkulationen, höja din kroppstemperatur och utveckla mer syre till dina muskler.

Träning

Vid varje träningspass måste man komma ihåg att muskelvärk som håller i sig lång tid i inte är önskvärt och kan innebära att en skada har uppstått.

Varva ned

Utför långsamma stretchövningar under 5 till 10 minuter vid slutet av varje träningspass. Vila i varje sträckning och gå bara så långt du kan. Det här steget gör att dina muskler kan varva ner efter träningen.

För ett fullständigt träningsprogram rekommenderas också att 2 till 3 dagar aerobic-träning genomförs utöver styrketräningen.

Dricka vatten

För att kroppen ska fungera korrekt måste den vara ordentligt hydrerad. Om du tränar ska du öka ditt vätskeintag. Anledningen till detta är att vattnet du tar in lämnar ditt system genom svettningsmekanismen som kyler din kropp under träningen. Vattnet du förlorar genom träning måste ersättas så att musklerna kan återhämta sig ordentligt.

Vilodag

Även om du kanske inte känner för det så är det viktigt att du tar en vilodag minst en gång i veckan, eftersom det ger din kropp en chans att läka sig själv. Kontinuerligt arbete med dina muskler resulterar i överträning som inte kommer att vara till nytta på lång sikt.

Skötsel och underhåll

- Smörj rörliga delar regelbundet med WD-40 eller lätt olja.
- Kontrollera och dra åt alla delar innan utrustningen används.
- Utrustningen kan rengöras med en fuktig trasa och ett mildt rengöringsmedel. ANVÄND INTE lösningsmedel.
- Kontrollera regelbundet om utrustningen uppvisar tecken på skador eller slitage.
- Byt alla defekta komponenter omedelbart och/eller använd inte utrustningen innan den är reparerad.
- Underlåtenhet att regelbundet undersöka utrustningen kan påverka dess säkerhetsnivå.

Ytterligare information

Bortskaffande av förpackning

Riktlinjer från myndigheter uppmanar att vi minskar mängden avfall som placeras i deponier. Vi ber dig därför att bortskaffa allt förpackningsavfall på ett ansvarsfullt sätt på allmänna återvinningscentraler.

Bortskaffande av uttjänt redskap

Vi på Tunturi hoppas att du får många års trevlig användning av ditt träningsredskap. Men det kommer en tid när ditt träningsredskap är uttjänt. Enligt den europeiska WEEE-lagstiftningen, ansvarar du för korrekt bortskaffande av ditt träningsredskap på en allmän återvinningsanläggning.

Begränsad garanti

Tunturi New Fitness garanterar att denna produkt är fri från defekter i utförande och material, under normala användnings- och serviceförhållanden, för en period om två år för ramen och ett år för alla andra delar och komponenter från inköpsdatum. Denna garanti omfattar endast den ursprungliga köparen. Tunturi New Fitness skyldighet enligt denna garanti är begränsad till att ersätta skadade eller felaktiga delar enligt Tunturi New Fitness eget gottfinnande.

Alla returer måste först godkännas av Tunturi New Fitness. Denna garanti omfattar inte någon produkt eller skada på en produkt som orsakas av eller hänför sig till fraktskador, missbruk, felaktig eller onormal användning, köparens egna reparationer eller för produkter som används för kommersiella eller uthyrningsändamål. Ingen annan garanti än vad som särskilt anges ovan är godkänd av Tunturi New Fitness.

Tunturi New Fitness är inte förpliktigade eller ansvariga för indirekta, speciella eller följdskador som uppstår på grund av eller i samband med användningen eller utförandet av produkten eller andra skador med avseende på ekonomisk förlust, förlust av egendom, inkomstförlust eller vinst, förlust av nöjen eller användning, kostnader för borttagning, installation eller andra följdskador eller annat av samma natur.

Garantiomfattningen gäller i stället för alla andra garantier, eventuella underförstådda garantier gällande säljbarhet eller lämplighet för ett visst ändamål är begränsade inom dess omfattning och varaktighet till de villkor som anges här.

Dina lagstadgade rättigheter påverkas inte.

Fel och funktionsstörningar

Trots ständig kvalitetskontroller, kan fel och funktionsstörningar inträffa som orsakas av enstaka delar. I de flesta fallen räcker det med att byta ut den felaktiga delen.

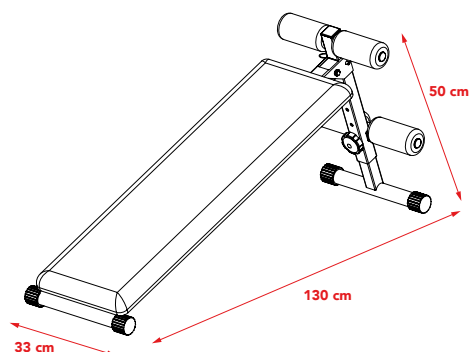
- Om utrustningen inte fungerar korrekt, kontakta omedelbart återförsäljaren.
- Lämna utrustningens modellnummer och serienummer till återförsäljaren. Ange problemets art, förhållanden vid användning och inköpsdatum.

Ytterligare kontaktuppgifter eller bruksanvisningar på andra språk finns på vår webbsida.

Viktkapacitet och dimension

(Fig. W#1)

- Maximal lastvikt : 135 kg.
- Mått monterad: 189,5 x 184 x 208,5 cm.



Friskrivning

© 2020 Tunturi New Fitness BV
Alla rättigheter förbehålles.

Produkten och bruksanvisningen kan ändras. Specifikationerna kan ändras utan föregående meddelande.

Suomeksi

Tämä suomennettu käyttöohje on käännetty Englannin kielestä. Pidätämme oikeudet mahdollisiin käännösvirheisiin. Käännös tehty virallisen, englanninkielisen version pohjalta.

Sisältö

Ennen kuin aloitat.....	47
Tärkeä turvallisuusilmoitus	47
Huomautukset ja varoitukset.....	47
Tärkeitä asennustietoja	48
Kokoonpano.....	48
Kiristä mutterit ja ruuvit.....	48
Painolevyjen asentaminen.....	48
Käyttöä koskevia huomautuksia.....	48
Painolevyjen valitseminen	48
Etupunnerruksen asennon Käyttö	48
Laitteen avaaminen ja kokoontaminen	48
Selkätuen kallistuksen säätäminen	48
Istuimen korkeuden säätäminen	48
Painovastustaulukko	49
Harjoitteluohjeet	49
Lihasten kasvattaminen ja painon nouseminen.....	49
Lihaskiinnitys ja kestävyys.....	49
Harjoituksen raskuus.....	49
Voimaa kasvattavan ohjelman aloittaminen	49
Hoito ja huolto.....	49
Lisätietoa laitteen omistajalle.....	49
Rajoitettu takuu.....	50
Viat ja häiriöt	50
Painokapasiteetti ja mitat.....	50
Vastuuvapauslauseke.....	50

Ennen kuin aloitat

Kiitos, että valitsit Tunturi HG80 Home Gym. Turvallisuutesi ja oman etusi vuoksi lue tämä opas huolellisesti ennen laitteen käyttöä. Olemme sitoutuneet tarjoamaan sinulle täydellisen asiakastytyväisyyden. Jos sinulla on kysyttävää taikka huomaat puuttuvia tai vaurioituneita osia, takaamme täydellisen asiakastytyväisyyden auttamalla sinua suoraan. Tarpeettomien viiveiden välttämiseksi ota yhteyttä asiakaspalveluumme, joka on avoinna maanantaista perjantain klo 9–17 (GMT + 1 tunti).

Tunturi New Fitness B.V.
www.tunturi.com

Tärkeä turvallisuusilmoitus

Tämä kuntoilulaite on suunniteltu erittäin turvallisiksi. Tiettyjä varotoimia on kuitenkin noudatettava kuntoilulaitetta käytettäessä. Varmista, että luet kaikki käyttöohjeet, ennen kuin asennat laitteesi tai käytät sitä. Huomaa erityisesti seuraavat turvallisuusvaroitukset:

- Pidä lapset ja lemmikit aina loitolla laitteesta. ÄLÄ jätä lapsia valvomatta samaan huoneeseen, jossa laite on.
- Laitetta saa käyttää vain yksi henkilö kerrallaan.
- Jos sinua alkaa huimata taikka tunnet pahoinvointia, rintakipua tai muita epänormaaleja oireita, LOPETA harjoittelu heti. OTA VÄLITTÖMÄSTI YHTEYTTÄ LÄÄKÄRIIN.
Sijoita laite esteettömälle, tasaiselle pinnalle. ÄLÄ käytä laitetta veden lähellä tai ulkona.
- Pidä kädet aina riittävän etäällä laitteen liikkuvista osista.
- Pukeudu aina sopiviin kuntoiluvaatteisiin harjoitellessasi. ÄLÄ pukeudu hameisiin tai muihin vaatteisiin, jotka voivat jäädä kiinni laitteeseen. Laitteen käyttöön tarvitaan myös juoksu- tai aerobickengät.
Käytä laitetta vain näissä käyttöohjeissa kuvattuun tarkoitukseen ja kuvatulla tavalla. ÄLÄ käytä lisävarusteita, joita valmistaja ei ole suositellut.
- Älä aseta teräviä esineitä laitteen ympärille.
- Vammaiset eivät saa käyttää laitetta.
- Lämmittele aina hyvin ennen kuntoilulaitteen käyttöä tekemällä venyttelyharjoituksia.
- Älä koskaan käytä laitetta, jos se ei toimi oikein.
- Harjoittelun aikana suositellaan käytettävän varmistajaa.
- Tämä laite on suunniteltu ja tarkoitettu vain kotitalous- ja kuluttajakäyttöön, ei kaupalliseen käyttöön.

Huomautukset ja varoitukset

- Harjoituksen aikana kädet on pidettävä poissa painojen ohjaustangoista.
- Älä koskaan säädä painoja harjoituksen aikana.
- Älä anna vaijerin osua laitteen teräviin osiin.
- Kun valitset painoa, työnnä tappi aina kokonaan sisään.
- Lasten tulisi käyttää tätä laitetta vain asiantuntevan aikuisen välittömässä valvonnassa. Lapsia ei saa missään vaiheessa jättää vartioimatta laitteen lähellä.
- Varmista ennen harjoituksen suorittamista, että vartalo on oikeassa asennossa vammojen välttämiseksi

VAROITUS

- Kun käytetään ylätaljaa, on kuorma valittava ennen kuin kahva asennetaan.
- Jos muutat painoa harjoituksen aikana, on painoa kannateltava estääksesi kahvaa putoamasta.

Varoitus:

Kysy lääkäritäsi neuvoja ennen minkään kuntoiluohjelman aloittamista. Tämä on erityisen tärkeää yli 35-vuotiailla tai henkilöillä, joilla on ennestään terveysongelmia. Lue kaikki ohjeet ennen minkään kuntolaitteen käyttöä. Tunturi New fitness bv. ei ota mitään vastuuta henkilö- tai omaisuusvahingoista, jotka aiheutuvat tämän laitteen käytöstä tai tämän laitteen käytön kautta.

Säilytä nämä ohjeet!

Tärkeitä asennustietoja

Penkin asentamiseen tarvittavat työkalut:
Kaksi säädettävää jakoavainta.

⚠ HUOM

- Loukkaantumisen välttämiseksi on erittäin suositeltavaa, että tämän laitteen asennukseen osallistuu vähintään kaksi henkilöä.
- Varmista, että lukkoruuvit viedään asennettavien osien NELIÖNMUOTOISTEN reikien läpi. Kiinnitä aluslaatta vain lukkoruuvien päähän.
- Käytä kuusiokoloruuveja, jotka viedään asennettavien osien PYÖREIDEN reikien läpi.
- Odota aina, että kaikki ruuvit on kiinnitetty penkkiin, ennen kuin kiristät ruuveja. Älä kiristä jokaista ruuvia heti sen asentamisen jälkeen.

Kokoonpano

(Kuva. A)

⚠ VAROITUS

- Kokoonpane laite esitetyssä järjestyksessä.
- Vähintään kahden henkilön on kannettava ja siirrettävä laitetta.

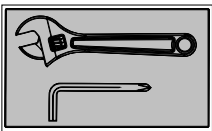
⚠ HUOMAUTUS

- Sijoita laite kovalle, tasaiselle alustalle.
- Asettaa laite suojajalustalle lattiapinnan vaurioiden estämiseksi.
- Varaa vähintään 100 cm tilaa laitteen ympärille.
- Katso piirroksesta laitteen oikea asennus.

⚠ ILMOITUS

- Kun olet suorittanut asennuksen loppuun, pane tämän tuotteen mukana toimitetut työkalut talteen tulevia huoltotöitä varten.

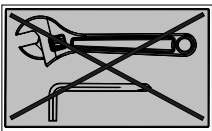
Kiristä mutterit ja ruuvit



Kiristä kunnolla kaikki mutterit ja ruuvit sen jälkeen, kun kaikki nykyisen ja edeltävien vaiheiden osat on asennettu.

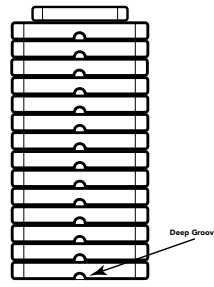
⚠ HUOM

- Älä ylikiristä mitään kääntyvää osaa.
- Varmista, että kaikki kääntyvät osat pääsevät liikkumaan vapaasti.

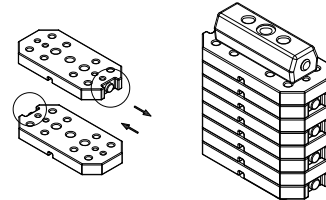


Älä kiristä kaikkia muttereita ja ruuveja tässä vaiheessa.

Painolevyjen asentaminen



Liu'uta painolevyt ohjainputkeen ylhäältä alas.
Jokaisen painolevyn syvän uran on osoitettava eteen- ja alaspäin.



Käyttöä koskevia huomautuksia

Painolevyjen valitseminen

- Valitse harjoitukseen käytettävien painolevyjen määrä valintatapilla.
- Älä aseta valintatappia paikalleen painopinon tai ylälevyn ollessa kohotettuna.
- Varmista, että valintatappi on kokonaan paikallaan.
- Kukin painolevy painaa noin 5 kg.
- Katso sivua, jossa on painovastustaulukko.
- Älä koskaan käytä käsipainoja tai muita keinoja painovastuksen lisäämiseen. Käytä vain valmistajan toimittamia painolevyjä.
- Turvallisuuden varmistamiseksi laitteen ollessa poissa käytöstä. Aseta lukkotappi ohjainputken reikään, jotta painolevyt eivät pääse liikkumaan.

Etupunnerruksen asennon Käyttö

Laitteen avaaminen ja kokoontaittaminen

(Fig. Use #1)

Vedä lukitustappi ulos liitoksesta ja taita laite, ja kiinnitä sitten lukkotappi.

Selkätuen kallistuksen säätäminen

(Fig. Use #2)

- Vedä säätönupista.
- Siirrä selkätuki haluttuun asentoon.
- Vapauta säätönuppi.

Istuimen korkeuden säätäminen

(Fig. Use #3)

- Vedä säätönupista.
- Siirrä istuin haluttuun asentoon.
- Vapauta säätönuppi.

Painovastustaulukko

Painolevy	Ylätaljaveto	Alataljaveto
1	12	12
2	18	18
3	24	24
4	36	36
5	42	42
6	48	48
7	54	54
8	60	60
9	66	66
10	72	72
11	78	78
12	84	84
13	90	90
14	96	96

ILMOITUS

- Kukin levy painaa 5 kg.
- Luvut ovat likimääräisiä.
- Todelliset painot voivat vaihdella.
- Perhosliikkeen arvot ovat yhdelle kädelle.

Arvot näytetään kilogrammoina

Harjoitteluohjeet

Lihasten kasvattaminen ja painon nouseminen

Toisin kuin aerobisessa harjoittelussa, jossa korostetaan kestävyysharjoittelua, anaerobisessa harjoittelussa keskitytään voimaharjoitteluun. Paino voi nousta asteittain, kun lihasten koko ja voimaa kasvatetaan. Lihasmassaa kehitettäessä kehosi mukautuu siihen kohdistuvaan rasitukseen. Voit muokata ruokavaliotasi niin, että siihen sisältyy esimerkiksi lihaa, kalaa ja vihanneksia. Nämä ruoka-aineet auttavat lihaksia palautumaan ja täydentävät tärkeiden ravintoaineiden määrää rasittavan harjoittelun jälkeen.

Lihassoima ja kestävyys

Jotta harjoittelusta saa suurimman mahdollisen hyödyn, on tärkeää laatia kuntoiluohjelma, jonka ansiosta saat harjoitettua kaikkia tärkeitä lihasryhmiä tasapuolisesti.

Jos haluat lisätä lihasvoimaa, noudata tätä periaatetta: Lihassoima lisääntyy, kun vastusta lisätään ja harjoituksen toistomäärä pidetään samana.

Jos haluat kiinteyttää vartaloasi, noudata tätä periaatetta: Vartalo kiinteytyy, kun vastusta vähennetään ja harjoituksen toistomäärää lisätään.

Kun harjoitus tuntuu helpolta, voit muuttaa vastusta, toistomäärää tai nopeutta, jolla teet harjoituksen. Kaikkia kolmea muuttujaa ei ole tarpeen muuttaa. Voit esimerkiksi harjoitella 10 kg:n painolla ja tehdä harjoituksen 10 kertaa 3 minuutissa. Kun tästä tulee liian helppoa, voit päättää nostaa painoksi 12 kg ja tehdä saman toistomäärän samassa ajassa. Lihassoima kehittyy useimmiten nostamalla suurempia painoja vähempiä kertoja. Jos haluat kehittää sekä lihasvoimaa että kestävyttä, suositeltavaa on, että teet jokaisessa harjoituksessa 15–20 toistoa sarjaa kohden.

Harjoituksen rasiustaso

Se, miten kovaa alat harjoitella, riippuu yleisestä kuntotasostasi. Kokemaasi kipua voi pienentää vähentämällä lihaksiisi kohdistuvaa kuormaa ja tehtyjen sarjojen määrää.

Vammojen välttämiseksi sinun pitäisi täydentää kuntoiluohjelmaa asteittain ja määrittää kuormitus yksilöllisen kuntotasosi mukaan. Kuormituksen pitäisi kasvaa kuntosi kasvaessa.

Lihaskipu on yleistä, erityisesti aloittaessasi harjoittelun. Jos kipua tuntuu pahalta ja kestää pitkään, sinun on ehkä muutettava ohjelmaa. Lopulta lihaksistosi tottuu siihen kohdistuvaan rasitukseen ja kuormaan.

Voimaa kasvattavan ohjelman aloittaminen

Alkuverryttely

Voimaharjoittelun aluksi on tärkeää venytellä ja harjoitella kevyesti 5–10 minuutin ajan. Tämä auttaa kehoa valmistautumaan rasittavampaan harjoitteluun lisäämällä verenkiertoa, nostamalla ruumiinlämpöä ja tuomalla lisää happea lihaksiin.

Harjoittelu

Kaikessa harjoittelussa on muistettava, että pitkään kestävä lihaskipu ei ole toivottavaa ja voi kertoa vamman syntymisestä.

Loppuverryttely

Venyttelä jokaisen harjoittelukerran lopussa hitaasti 5–10 minuutin ajan. Tee kaikki venytykset asteittain menemällä vain niin pitkälle kuin pystyt. Tämä vaihe auttaa lihaksiasi palautumaan harjoittelun jälkeen.

Jotta kuntoiluohjelma on kokonaisvaltainen, on suositeltavaa, että voimaharjoittelun lisäksi siinä on 2–3 päivänä aerobista harjoittelua.

Veden juominen

Keho voi toimia asianmukaisesti vain, jos sitä nesteytetään oikein. Jos kuntoilet, nautittavien nesteiden määrää on lisättävä. Tähän on syynä se, että nauttimasi vesi poistuu elimistöstäsi hikoilun kautta, joka viilentää kehoasi harjoittelun aikana. Harjoittelun aikana menettämäsi vesi on korvattava, jotta lihakset palautuvat kunnolla.

Lepopäivä

Vaikka et sitä haluaisikaan, on tärkeää pitää lepopäivä vähintään kerran viikossa, jotta kehosi saa mahdollisuuden toipua. Lihasten jatkuva harjoittaminen johtaa yliharjoitteluun, joka ei ole hyödyksi pitkällä aikavälillä.

Hoito ja huolto

- Voitele liikkuvat osat säännöllisesti WD-40:llä tai kevyellä öljyllä.
- Tarkasta ja kiristä kaikki osat ennen laitteen käyttöä.
- Laitteen voi puhdistaa kevyesti kostutetulla liinalla ja miedolla, hankaamattomalla puhdistusaineella. ÄLÄ KÄYTÄ liuottimia.
- Tarkasta säännöllisesti, että laite ei ole vahingoittunut tai kulunut.
- Vaihda vialliset osat välittömästi ja/tai pidä laite poissa käytöstä siihen asti kun se on korjattu.
- Tarkastuksen laiminlyönti voi vaikuttaa laitteen turvallisuuteen.

Lisätietoa laitteen omistajalle

Pakkauksen hävittäminen

Lainsäädäntö ohjeistaa meitä vähentämään kaatopaikoille toimitetun jätteen määrää. Sen vuoksi pyydämme sinua toimittamaan kaikki pakkauksijätteet sitä varten tarkoitettuun kierrätys-

Laitteen hävittäminen käyttöiän päättyessä

Me Tunturilla toivomme, että iloitset kuntolaitteestasi vuosia. Jokainen kuntolaite tulee kuitenkin aikanaan oman käyttöikänsä loppuun. Kotitalouksien sähkö- ja elektroniikkalaiteromua käsittelevien eurooppalaisten määräysten (WEEE) mukaan sinun kuuluu toimittaa kuntolaitteesi sitä varten tarkoitettuun keräyspaikkaan.

Rajoitettu takuu

Tunturi New Fitness takaa, että tuotteessa ei esiinny valmistus- tai materiaalivikoja, kun sitä käytetään ja huolletaan normaalisti, rungon osalta kahteen vuoteen sekä kaikkien muiden osien osalta yhteen vuoteen ostopäivästä lukien. Tämä takuu koskee vain laitteen alkuperäisostajaa. Tunturi New Fitnessin tämän takuun mukainen velvollisuus rajoittuu vaurioituneiden tai viallisten osien vaihtamiseen Tunturi New Fitnessin valinnan mukaan.

Kaikkiin palautuksiin on hankittava ennakolta Tunturi New Fitnessin lupa. Tämä takuu ei kata mitään tuotetta tai tuotevauriota, jonka on aiheuttanut rahtivahinko, väärinkäyttö, virheellinen käyttö, epäasianmukainen tai epätavallinen käyttö, ostajan oma korjaus tai tuote, jota on käytetty kaupallisissa tai vuokraustarkoituksissa, taikka joka johtuu sellaisesta. Tunturi New Fitness ei myönnä mitään muuta takuuta kuin nimenomaisesti edellä esitetyn takuun.

Tunturi New Fitness ei ole missään vastuussa epäsuorista, erityisistä tai välillisistä vahingoista, jotka johtuvat tuotteen käytöstä tai suorituksesta taikka liittyvät siihen, eikä mistään muista vahingoista, jotka liittyvät taloudelliseen tappioon, omaisuuden menettämiseen, tuottojen tai voittojen menettämiseen, nautinnon tai käyttömahdollisuuden menettämiseen, poistokustannuksiin, asennukseen tai muihin välillisiin vahinkoihin tai mihinkään muihin vahinkoihin.

Tässä esitetty takuu korvaa kaikki mahdolliset muut takuut ja hiljaiset takuut myyntikelpoisuudesta tai sopivuudesta tiettyyn tarkoitukseen, ja sen laajuus ja kesto on rajoitettu tässä esitettyihin ehtoihin.

Takuu ei vaikuta lakisääteisiin oikeuksiisi.

Viat ja häiriöt

Huolimatta jatkuvasti laadunvarmistuksesta laitteessa voi tapahtua yksittäisen osan aiheuttamia vikoja ja häiriöitä. Useimmissa tapauksissa viallisen osan vaihtaminen on riittävää

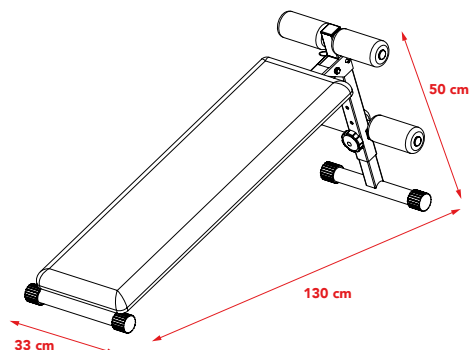
- Jos laite ei toimi normaalisti, ota välittömästi yhteys jälleenmyyjään.
- Anna jälleenmyyjälle laitteen malli- ja sarjanumero. Kerro ongelman luonne, käyttöolosuhteet ja ostopäivä.

Muita yhteystietoja ja muunkielisiä käyttöohjeita löytyy sivustoltamme.

Painokapasiteetti ja mitat

(Fig. W#1)

- Kuorman enimmäispaino : 135 kg.
- Mitat koottuna: 189,5 x 184 x 208,5 cm.

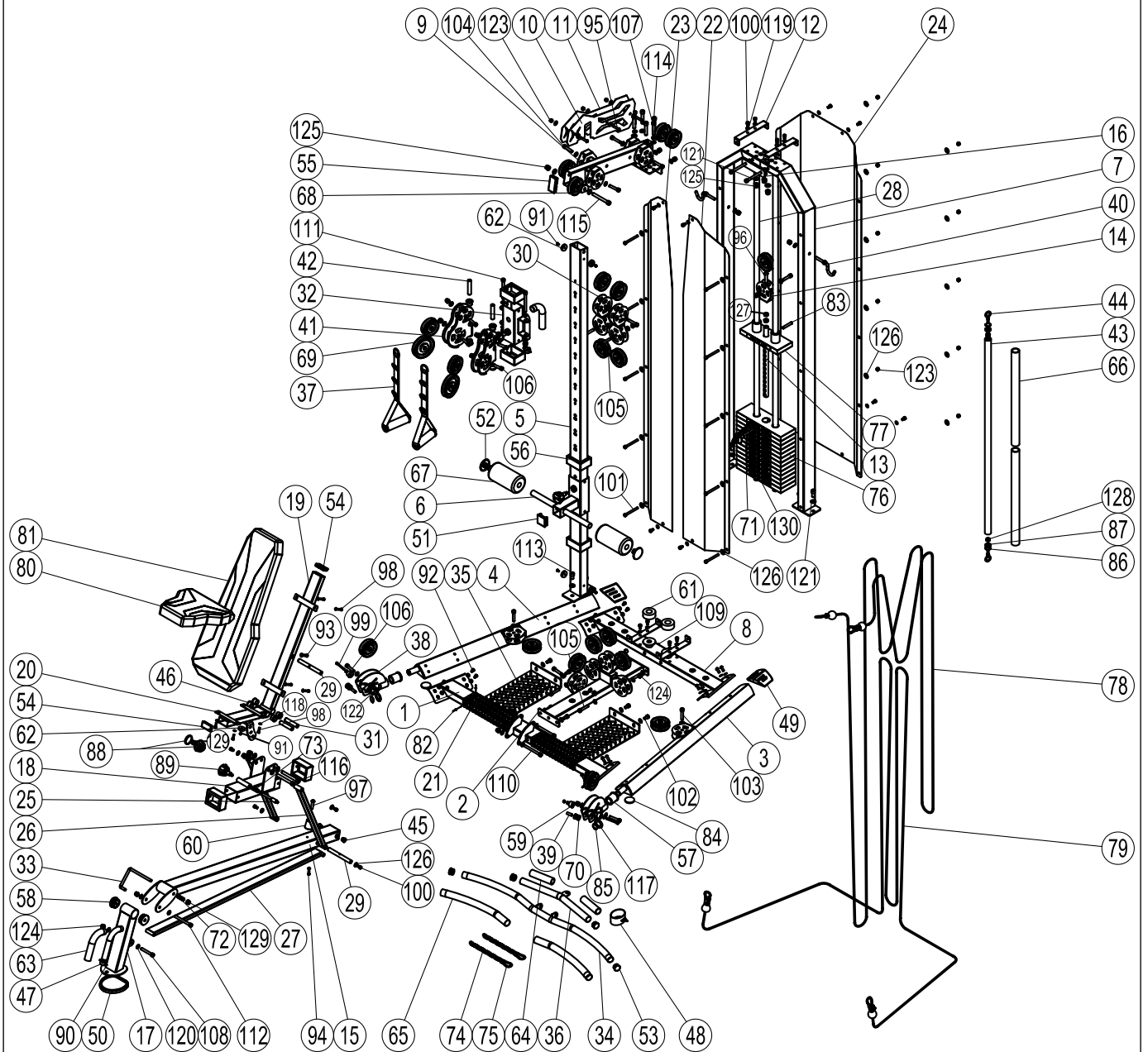


Vastuuvapauslauseke

© 2020 Tunturi New Fitness BV

Kaikki oikeudet pidätetään.

Tuote ja käyttöohjeet voivat muuttua. Teknisiä tietoja voidaan muuttaa ilman erillistä ilmoitusta.



NR	Description	Specs	Qty
1	Front Stabilizer		1
2	Bottom Tube		1
3	Right Base Frame		1
4	Left Base Frame		1
5	Vertical Frame		1
6	Adjustable Foam Rod		1
7	Rear Frame		2
8	Rear Stabilizer		1
9	Top Cross Beam		1
10	Right Baffle		1
11	Left Baffle		1
12	Steel Plate		4
13	Selector Shaft		1
14	Swivel Pulley Block		1
15	Bench Guide Rail		1
16	Splint		1
17	Seat Front Stabilizer		1
18	Slider		1
19	Back Cushion Support		1
20	Seat Cushion Support		1
21	Checkered Plate		2
22	Left Front Shield		1
23	Right Front Shield		1
24	Rear Shield		1
25	Pin Axis		1
26	Support Frame		2
27	Connection Tube		1
28	Guide Rod		2
29	Axis		2
30	Vertical Pulley Block		2
31	Tube Bushing		2
32	Slider		1
33	J-Hook		1
34	Pull Bar		1
35	Pedal		2
36	Lat Bar		1
37	Ribbon Handle		2
38	Rotary Pulley Block		2
39	Sleeve		2
40	Hook		2
41	Double Pulley Block		2
42	Shaft		2
43	Gymnastic Bar		1
44	Ring Hook		2
45	Bushing	Ø20.7xØ 10.5x14.7	2
46	Bushing	Ø28xØ16x20	8

NR	Description	Specs	Qty
47	Aluminum Cover		2
48	Ankle Strap		1
49	Triangle Cap Sets		2
50	Rubber Pad		1
51	Square Plug	50x50	1
52	Foam Plug		2
53	Round Plug	Ø30	4
54	Rectangular Plug	60x30	1
55	Rectangular Plug	80x40	1
56	Rectangular Sleeve		6
57	Nylon Bushing	Ø45xØ26	2
58	Bushing	Ø50xØ10	2
59	Buffer		4
60	Large Buffer		1
61	Buffer Ring		2
62	Round Rubber Pad		1
63	Foam Roller	Ø23x4x190	2
64	Foam Roller	Ø28x3x200	2
65	Foam Roller	Ø28x3x430	2
66	Foam Roller	Ø28x4x500	2
67	Foam Roller With Cover		2
68	Pulley	Ø90	19
69	Pulley	Ø115	2
70	Wheel		2
71	Pin		1
72	Spring	40	1
73	Spring	65	1
74	Chain	13 Links	2
74	Chain	40 Links	2
75	Hook		6
76	Weight Plate		13
77	Top Plate		1
78	Cable	954cm	1
79	Cable	900cm	1
80	Seat Cushion		1
81	Backrest Cushion		1
82	Rivet		12
83	Cylinder Pin		1
84	EVA Pad		2
85	Shaft Ring		2
86	Hole With Ring		2
87	Bearing	6000ZZ	2
88	Pull Pin head		1
89	Pull Pin		3
90	Tighten Screw	M4x3	4
91	Allen Bolt	M6x10	5

92	Allen Bolt	M8x16	16
93	Allen Bolt	M8x25	1
94	Allen Bolt	M8x35	1
95	Allen Bolt	M8x55	3
96	Allen Bolt	M12x60	1
97	Cross Recessed Head Screw	M10x45	1
98	Hex Socket Cap Bolt	M6x25	8
99	Hex Socket Cap Bolt	M6x60	2
100	Hex Socket Cap Bolt	M8x16	20
101	Hex Socket Cap Bolt	M8x95	10
102	Hex Socket Cap Bolt	M10x25	6
103	Hex Socket Cap Bolt	M10x40	2
104	Hex Socket Cap Bolt	M10x45	4
105	Hex Socket Cap Bolt	M10x48	9
106	Hex Socket Cap Bolt	M10x50	6
107	Hex Socket Cap Bolt	M10x60	2
108	Hex Socket Cap Bolt	M10x70	1
109	Hex Socket Cap Bolt	M10x100	2
110	Hex Socket Cap Bolt	M10x103	4
111	Hex Socket Cap Bolt	M10x105	2
112	Hex Socket Cap Bolt	M10x110	1
113	Hex Socket Cap Bolt	M12x25	6
114	Hex Socket Cap Bolt	M12x63	4
115	Hex Socket Cap Bolt	M12x95	1
116	Hex Socket Cap Bolt	M12x110	2
117	Big Washer	Ø26	2
118	Washer	6	12
119	Washer	8	40
120	Washer	10	68
121	Washer	12	20
122	Lock Nut	M6	2
123	Lock Nut	M8	13
124	Lock Nut	M10	29
125	Lock Nut	M12	7
126	Big Washer	8	24
127	Nut	M12	2
128	White Lock Nut	M8	2
129	White Lock Nut	M10	2
130	Weight Labeling		1
	Blister Package Of Screws Set		6



Tunturi New Fitness BV

Purmerweg 1 NL - 1311 XE Almere
P.O. Box 60001 NL - 1320 AA Almere
The Netherlands

www.tunturi.com

