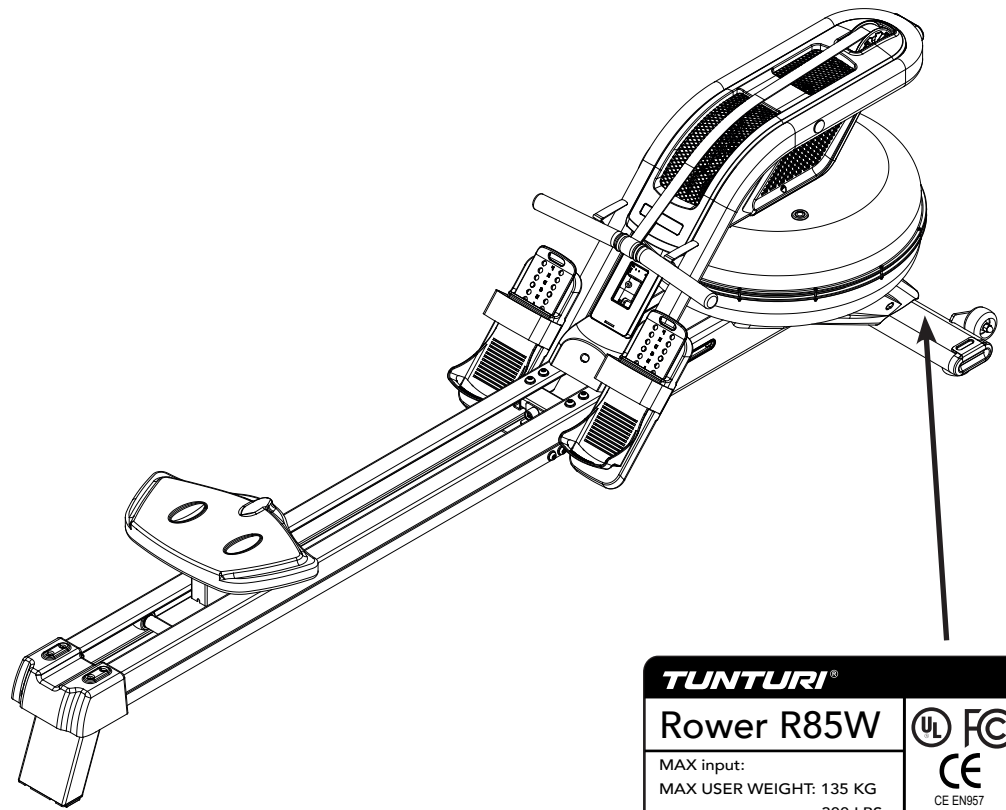





TUNTURI®

R-85W Rower dual rail

User manual
Benutzerhandbuch
Manuel de l'utilisateur
Gebruikershandleiding
Manual del usuario
Bruksanvisning
Käyttöohje

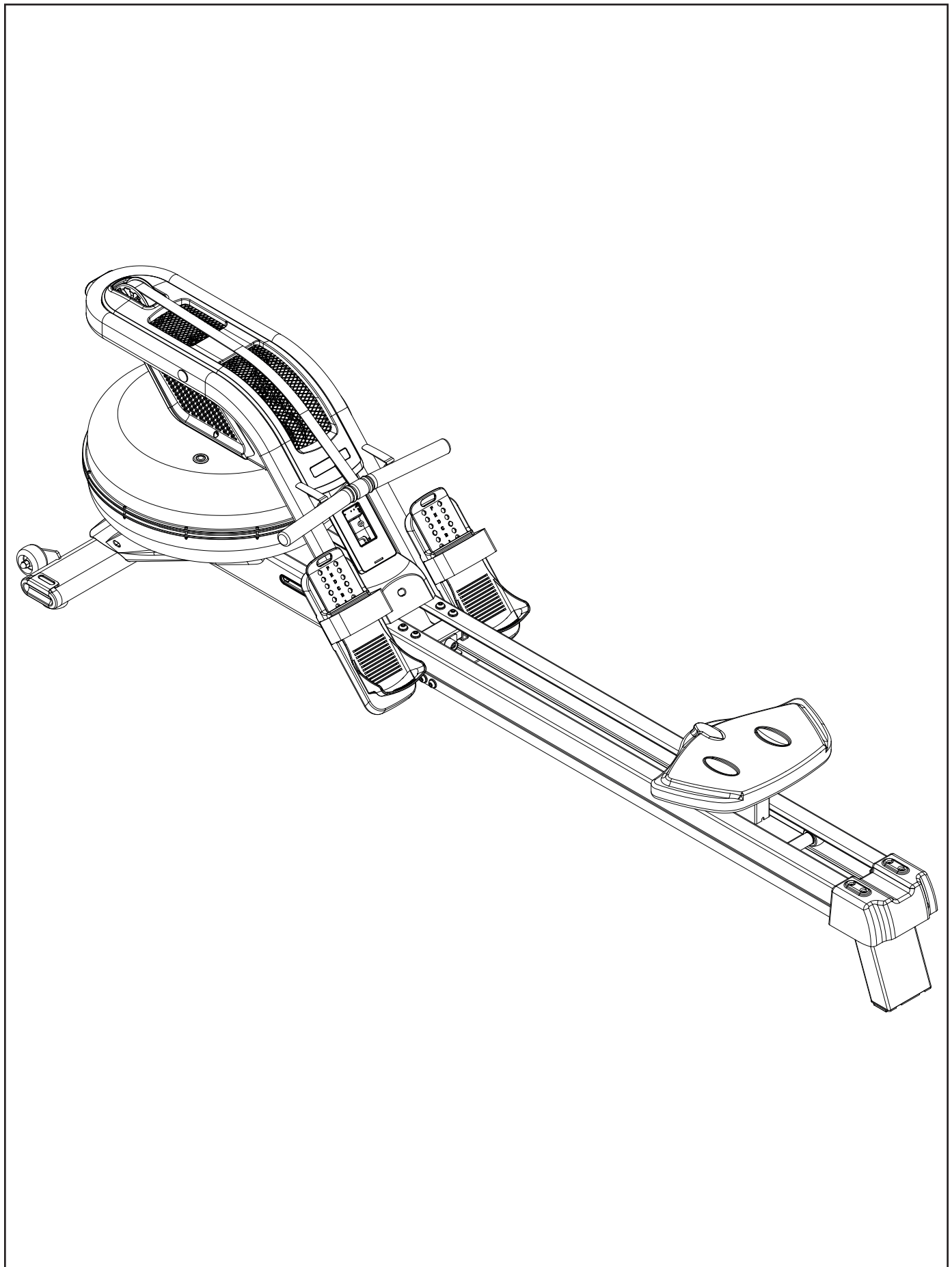


TUNTURI®	
Rower R85W	
MAX input: MAX USER WEIGHT: 135 KG 300 LBS	 CE EN957 Class HC
HOME & OFFICE USE MADE IN CHINA	
Serial number:	

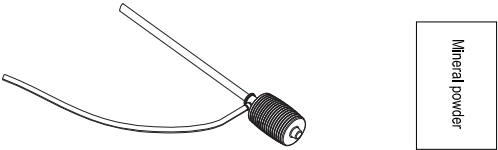
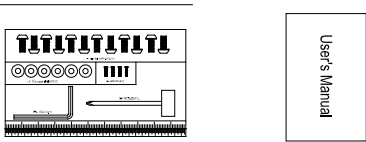
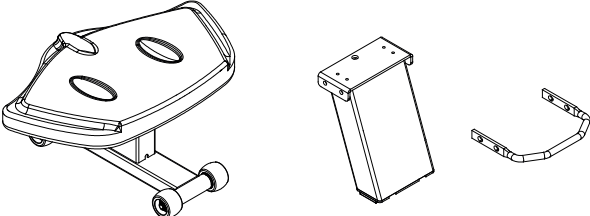
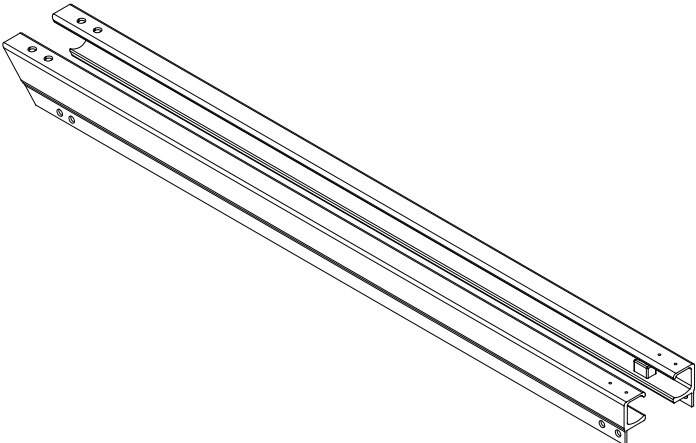
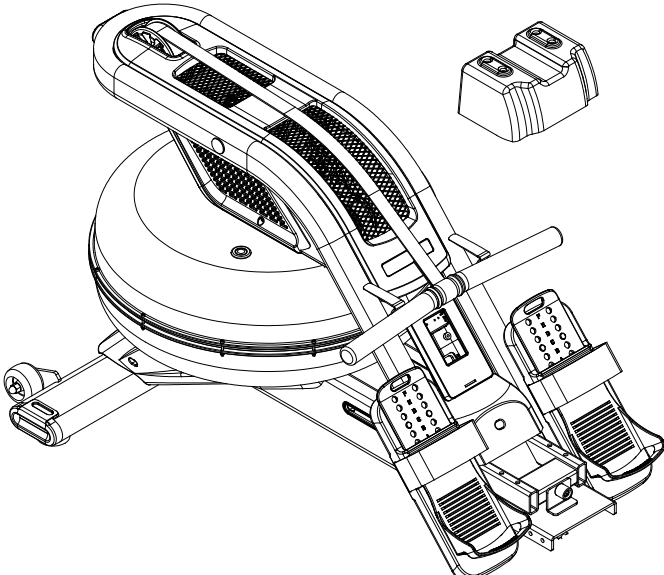
Attention, Achtung, Attention, Attentie, Atención, Giv akt, Huomio

- Please read this Owner's manual before assembling this product.
- Bitte lesen Sie dieses Handbuch durch, bevor Sie mit er Montage dieses Produkts beginnen.
- Veuillez lire ce manuel avant de commencer le montage de ce produit.
- Leest u deze handleiding voordat u dit apparaat installeert.
- Lea este manual antes de montar este producto
- Läs bruksanvisningen innan du monterar denna produkt
- Lue tämä käsikirja ennen kokoamista tuotetta

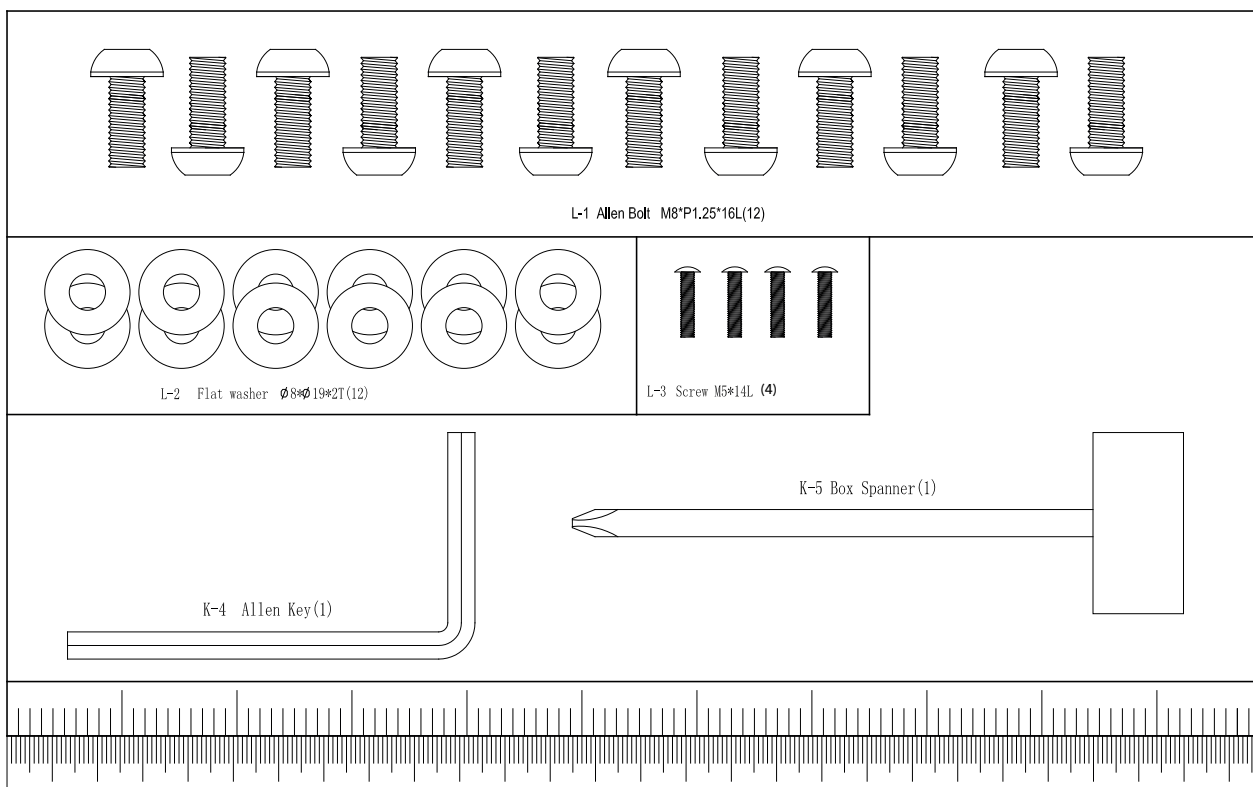
A



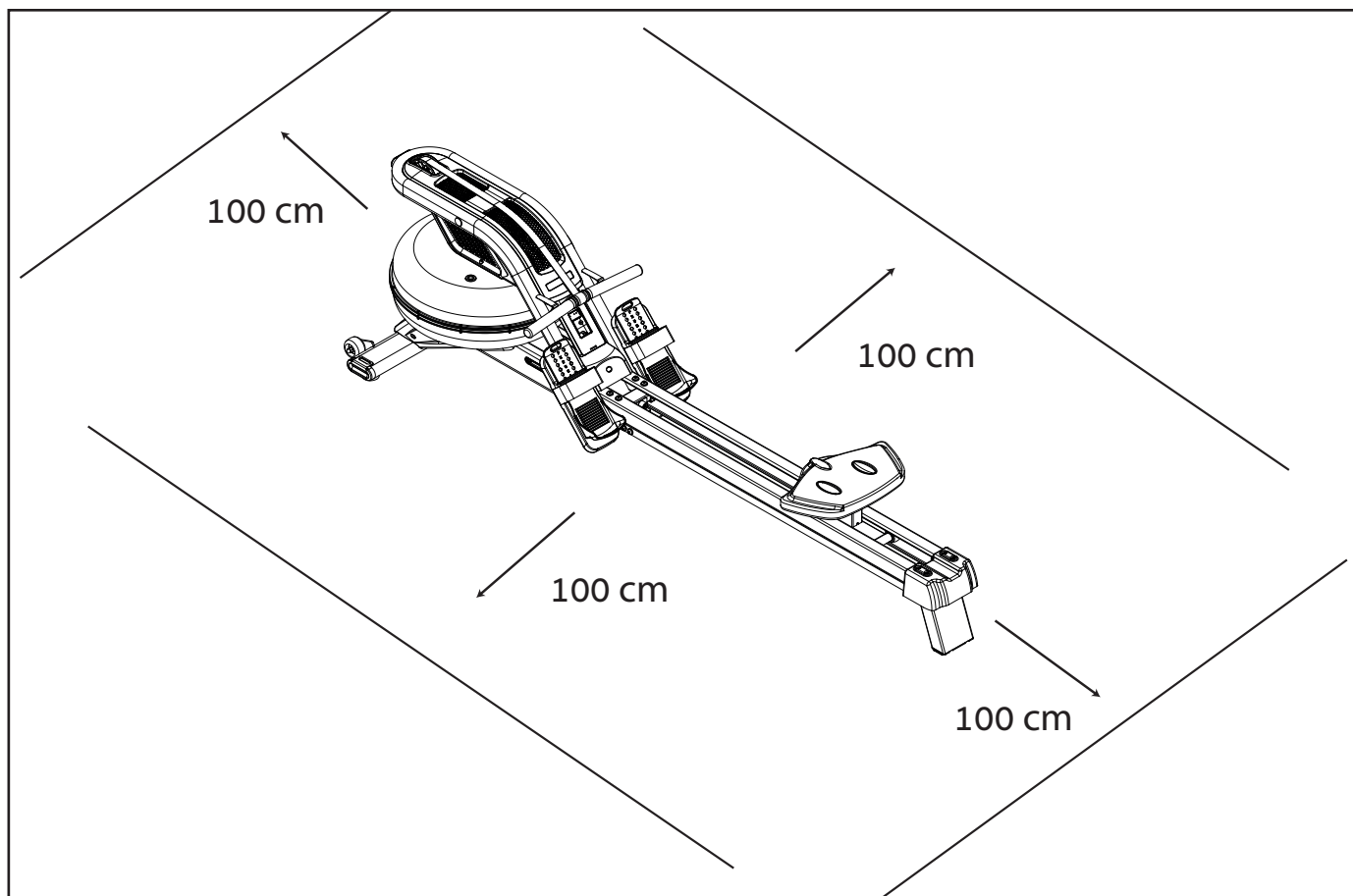
B

	<p>1/1</p>
	<p>1/1</p>
	<p>1/1/1</p>
	<p>1/1</p>
	<p>1/1</p>

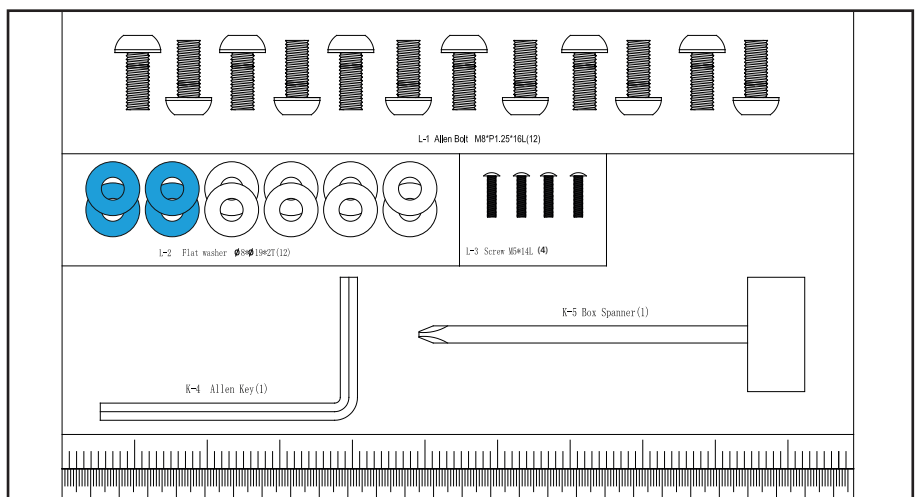
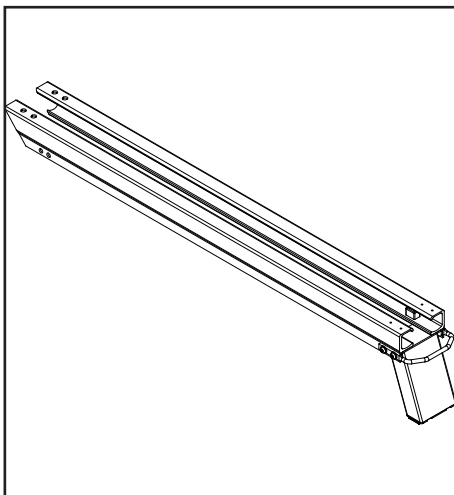
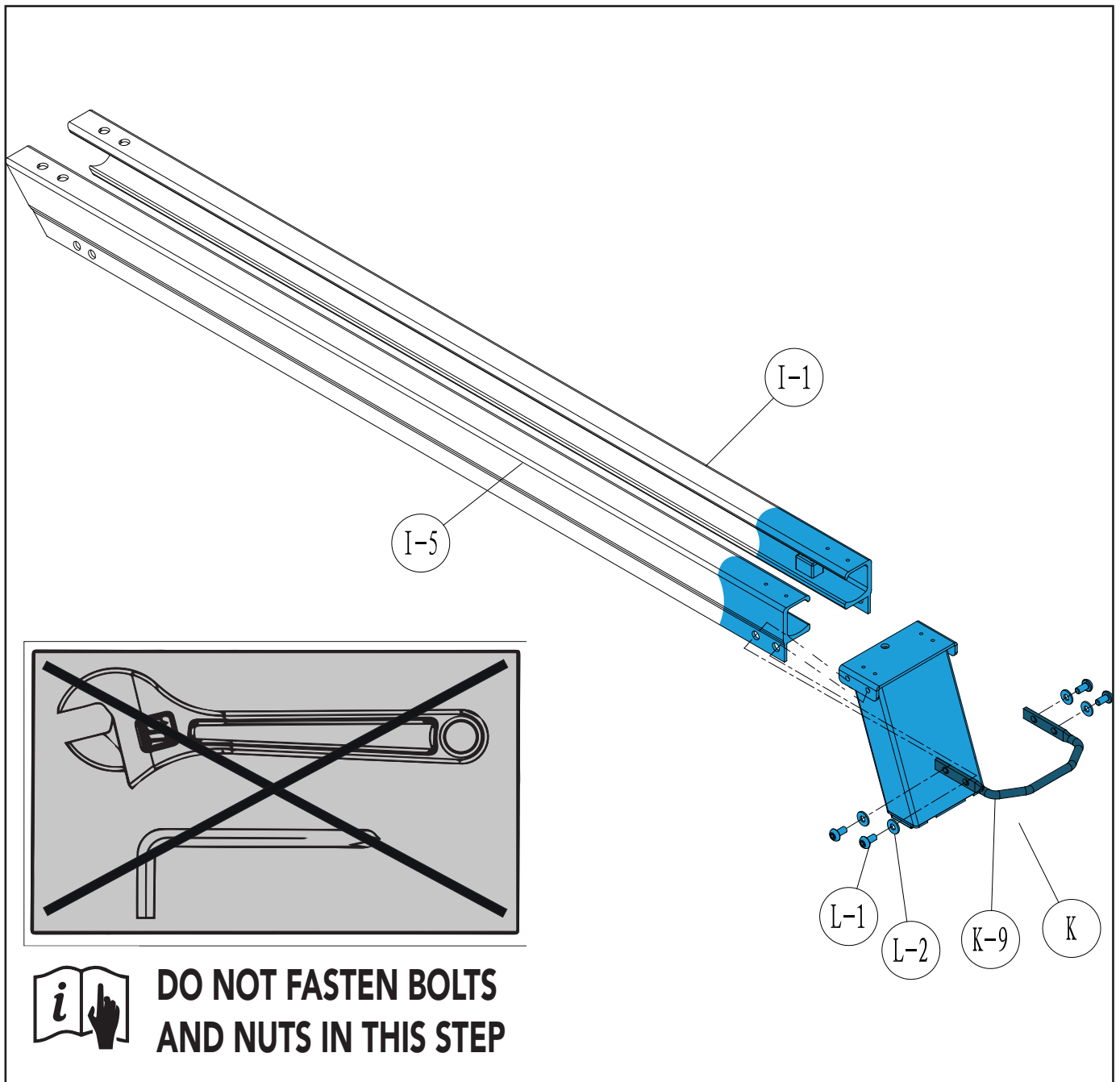
C



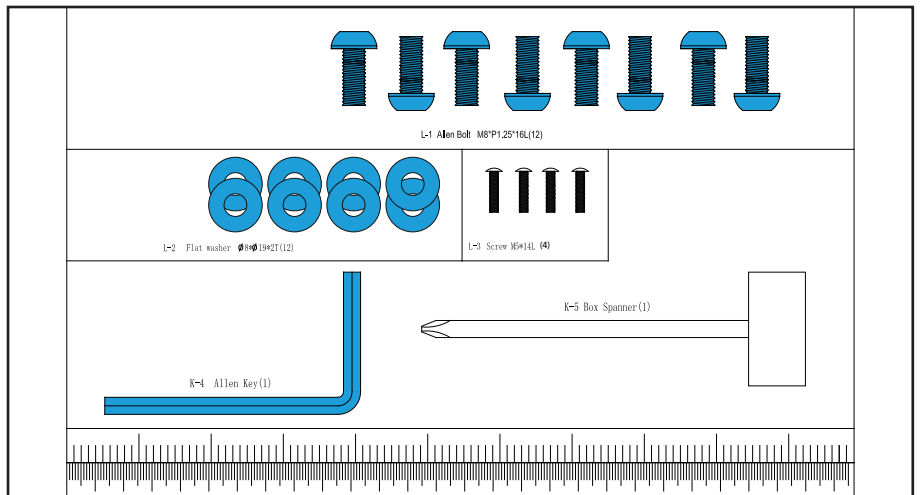
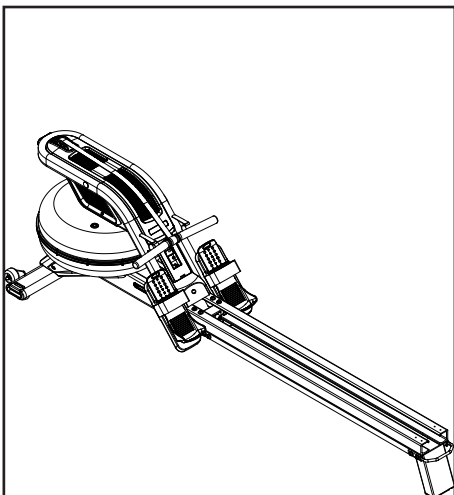
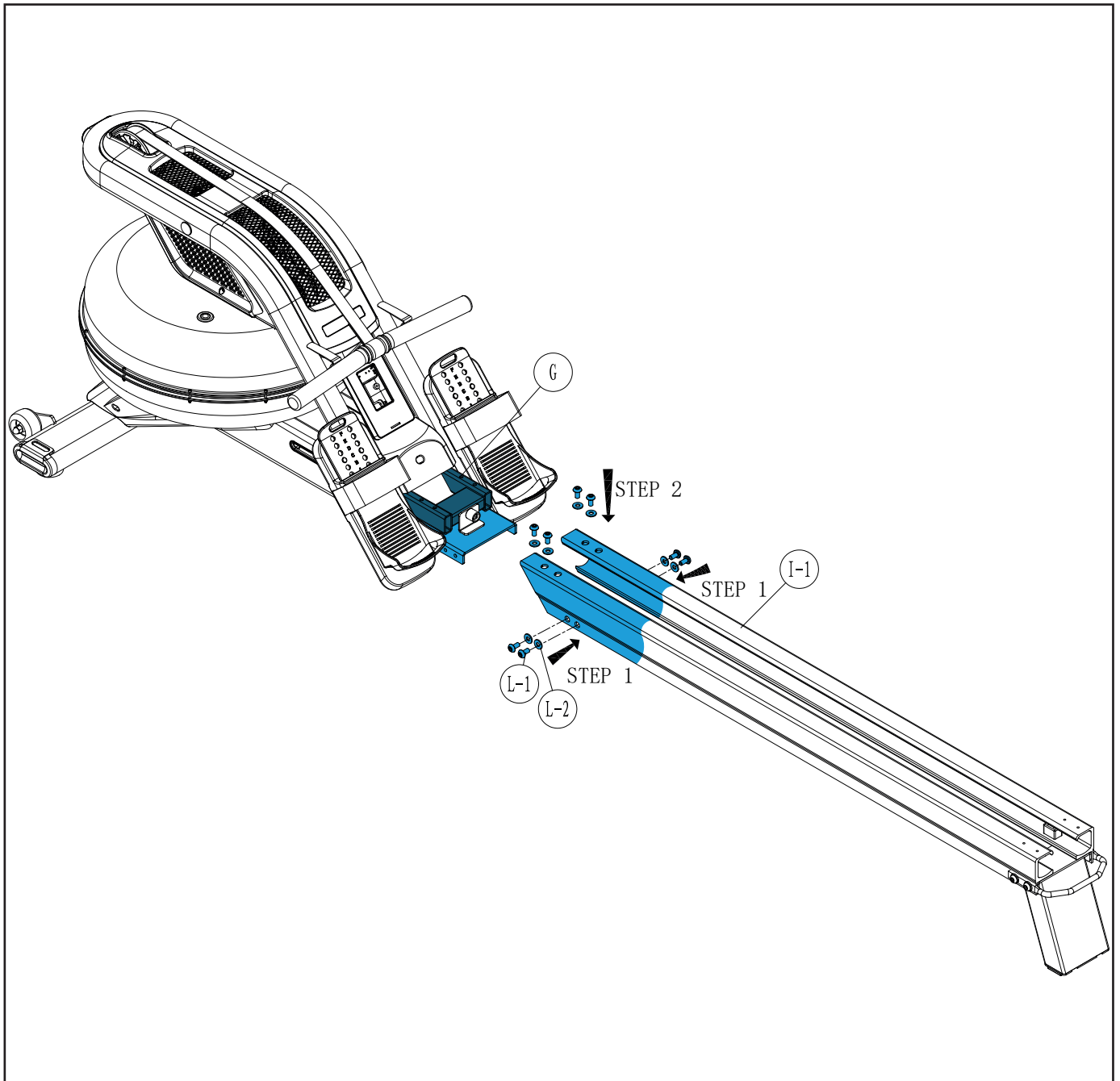
D-0



D-1



D-2



D-3

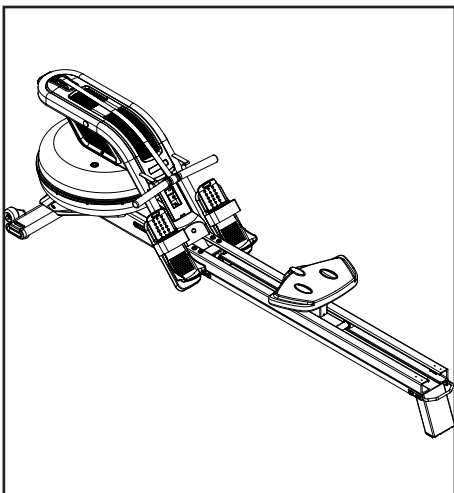
STEP 1

STEP 2

STEP 3

I-1, I-2, I-4, J

DO FASTEN ALL BOLTS AND NUTS IN THIS STEP AND BOLTS AND NUTS OF FORMER STEPS



L-1 Allen Bolt: M8*P1,25*16L(12)

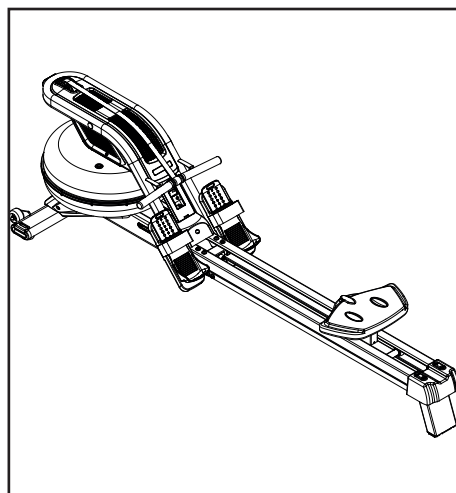
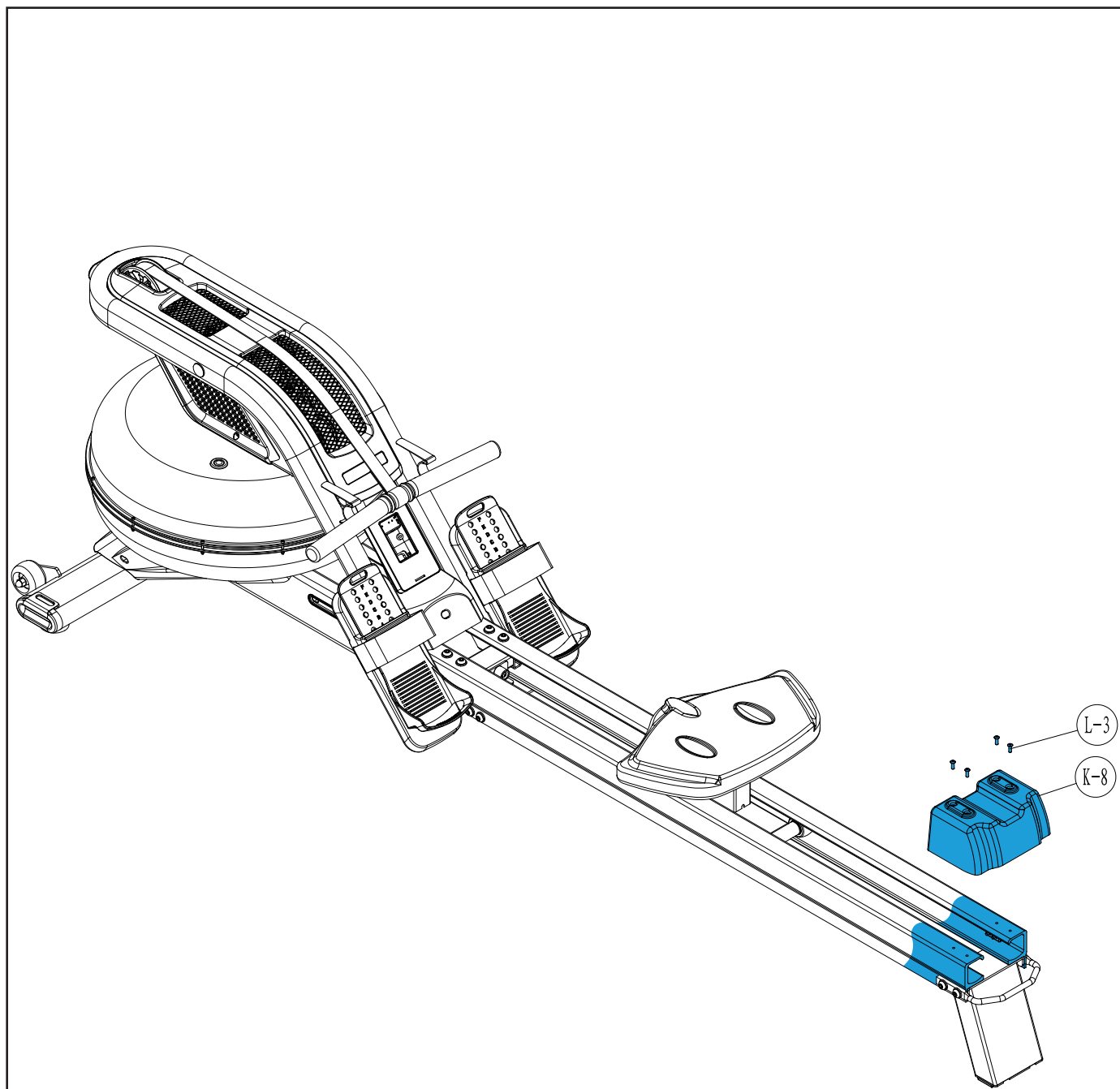
L-2 Flat washer: Ø8*Ø19*2(112)

L-3 Screw: M6*14L (4)

K-4 Allen Key (1)

K-5 Box Spanner (1)

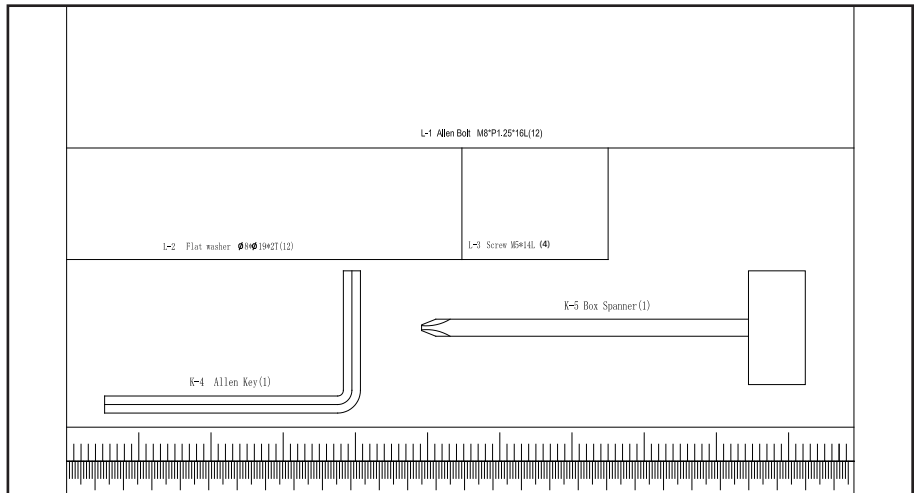
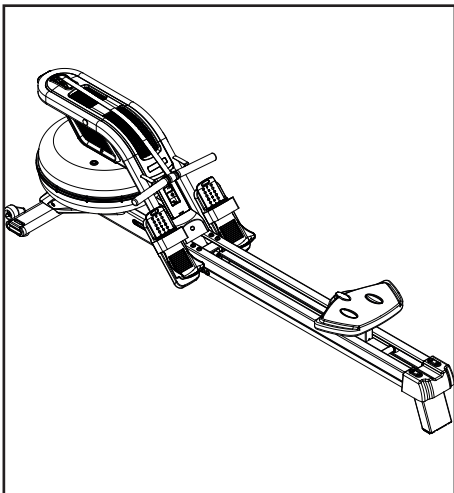
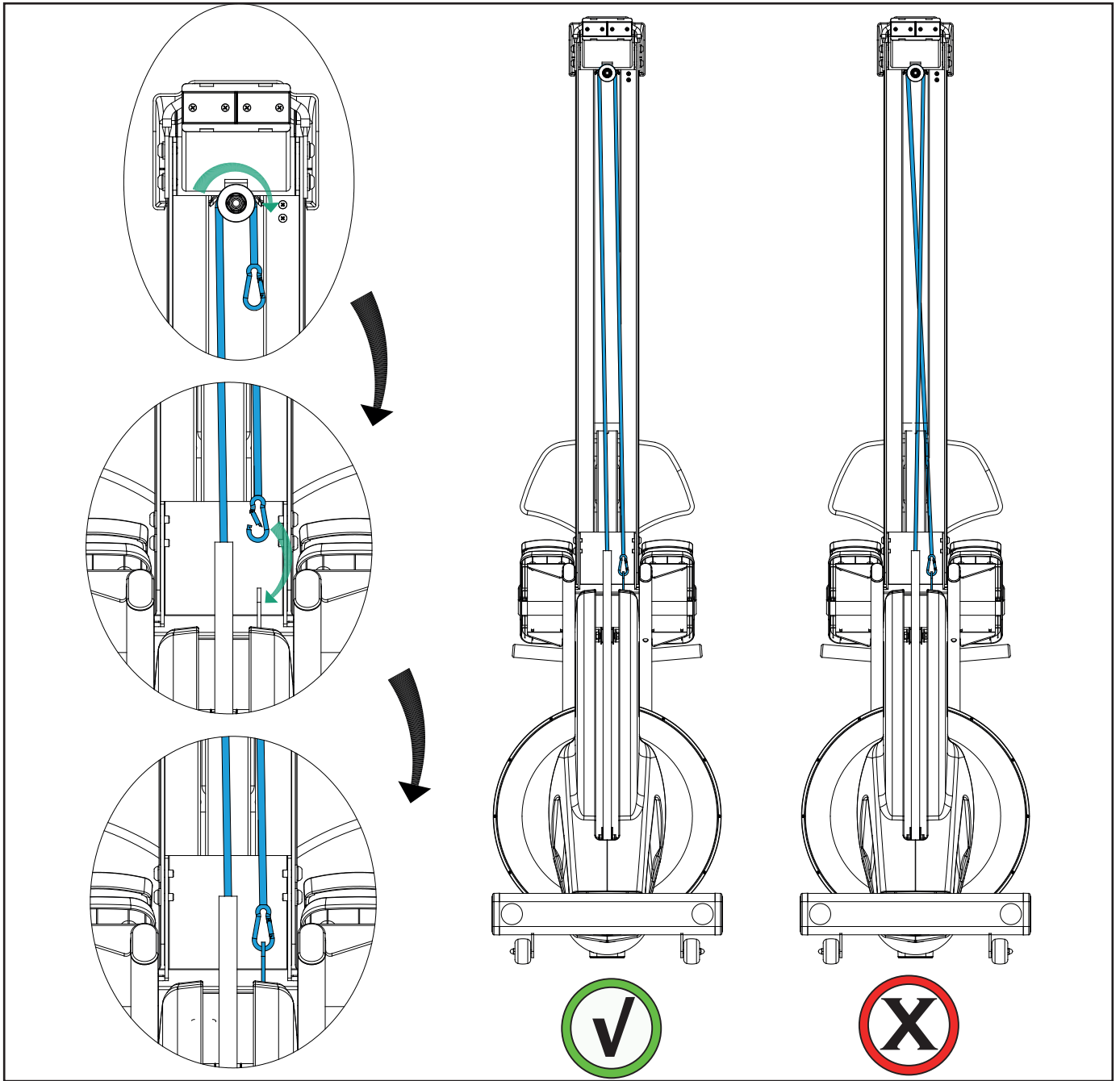
D-4



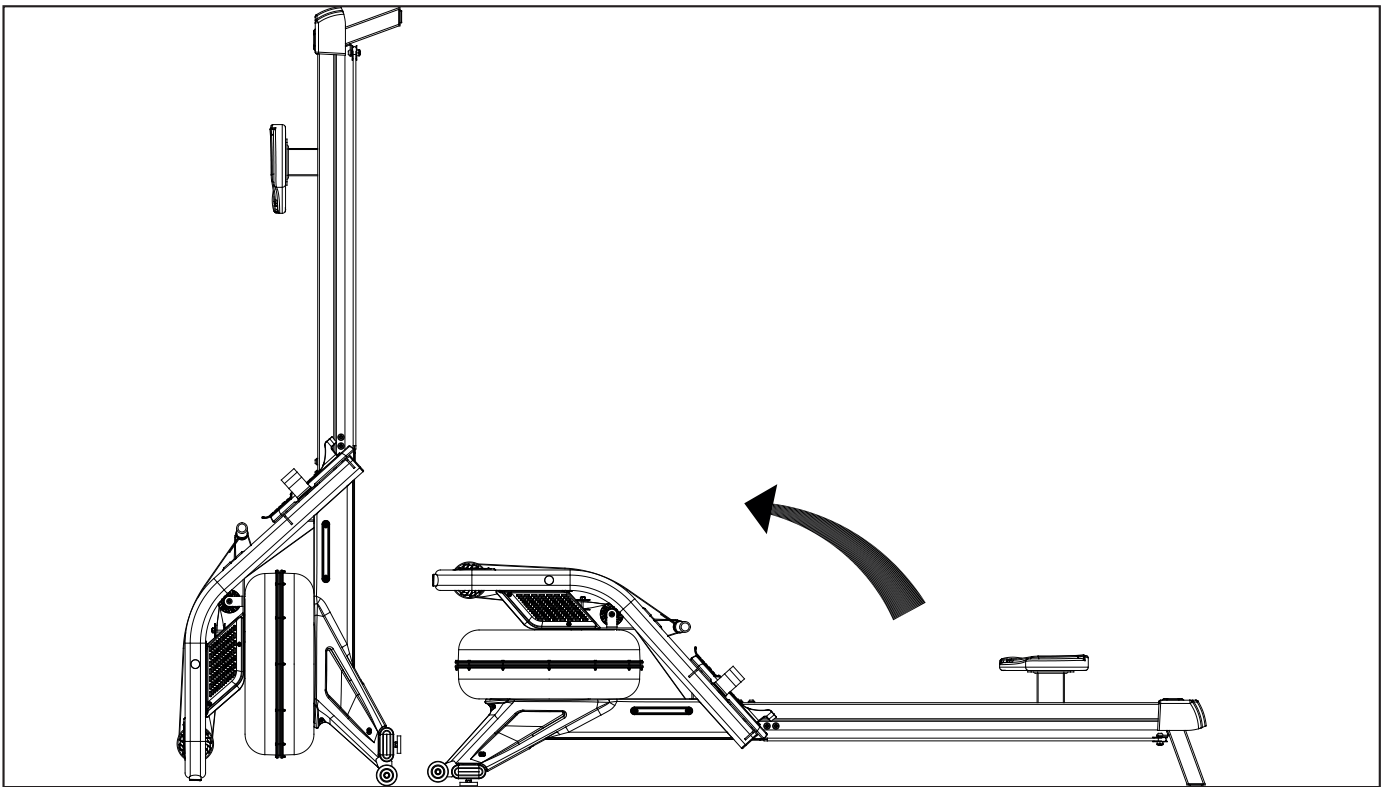
	L-1 Allen Bolt: M8*P1.25*16L(12)
L-2 Flat washer: $\varnothing 8 \times \varnothing 19 \times 2T(12)$	L-3 Screw: M5*14L(4)
K-4 Allen Key(1)	K-5 Box Spanner(1)

The parts list section includes a ruler at the bottom for scale. The items listed are: L-1 Allen Bolt (12), L-2 Flat washer (12), L-3 Screw (4), K-4 Allen Key (1), and K-5 Box Spanner (1).

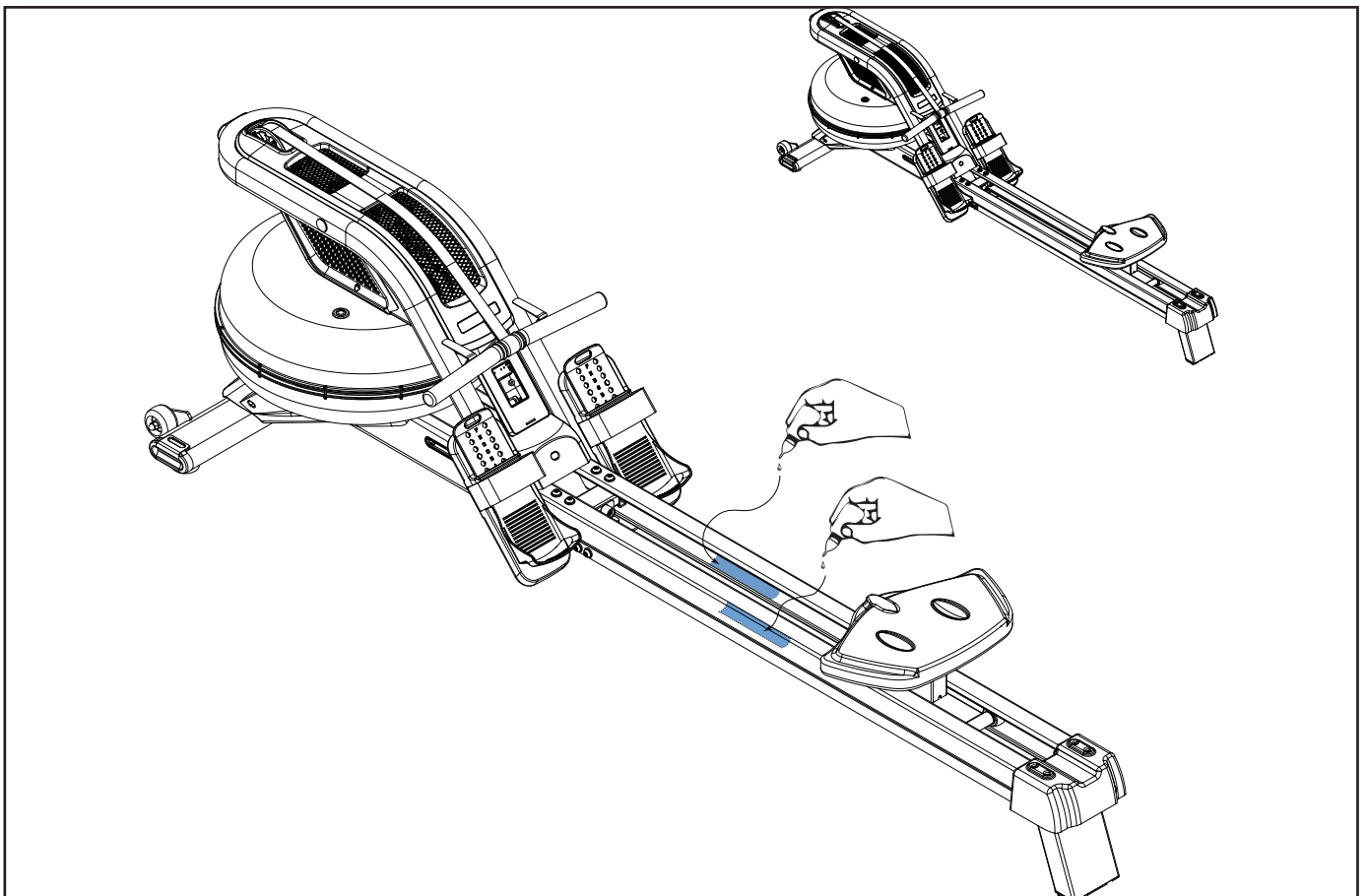
D-5



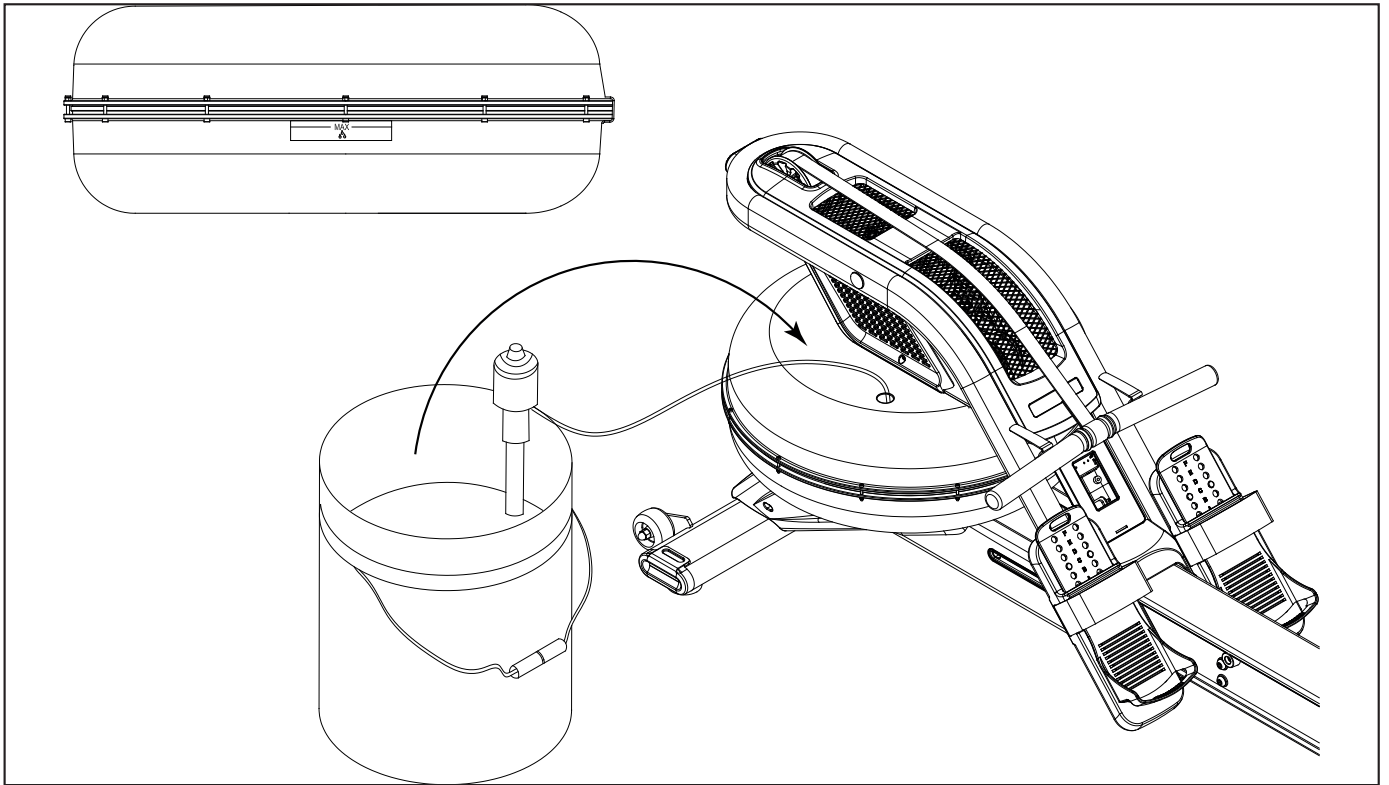
E-1



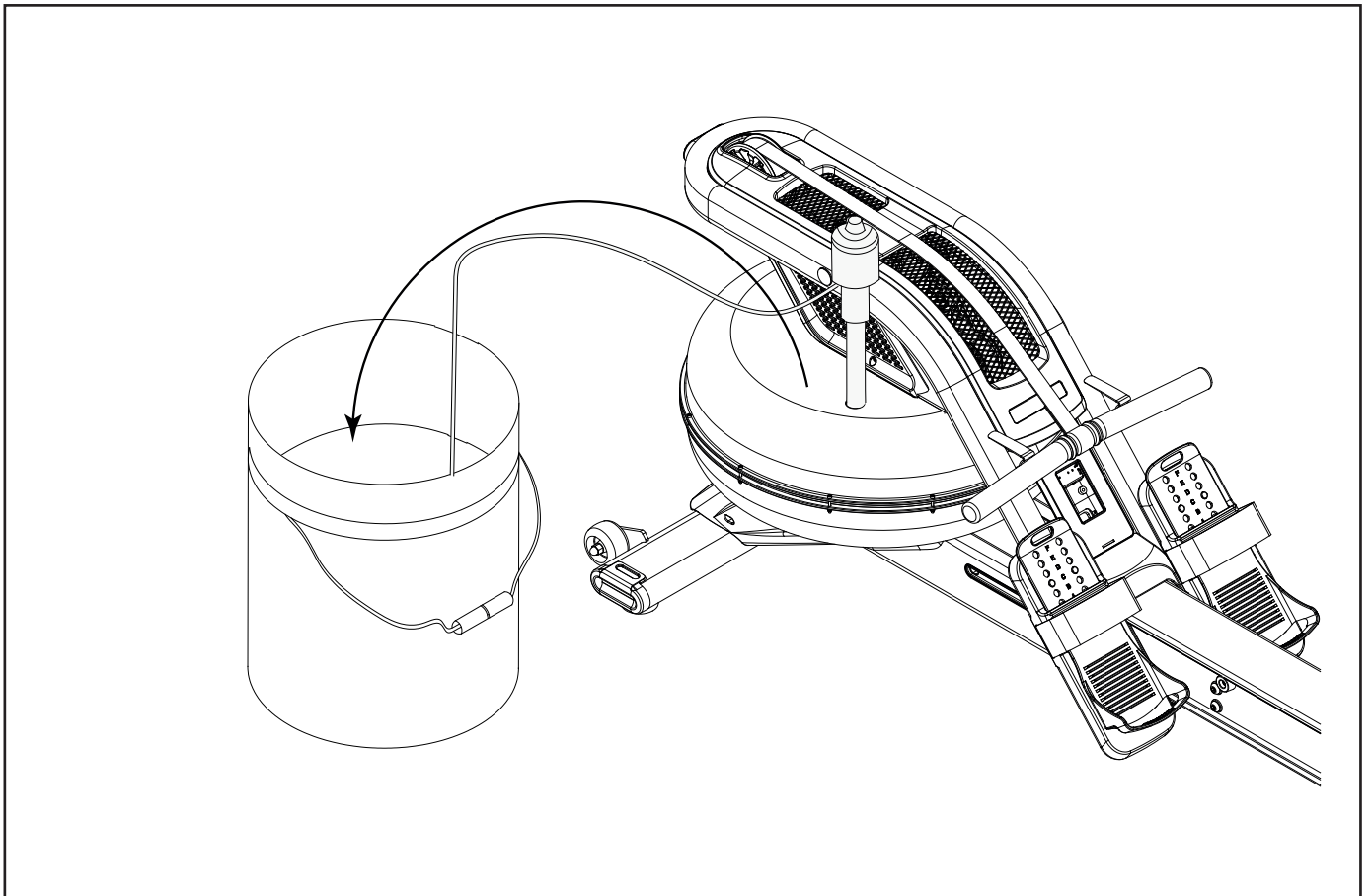
E-2



E-3



E-4



Index

Rower	13
Safety warnings	13
Description (fig. A)	14
Package contents (fig. B & C)	14
Assembly (fig. D)	14
Fasten Nuts and Bolts	14
Adjust tank water level	14
Filling the tank with water (fig. E-3)	14
Removing water from the tank (fig. E-4)	15
Water treatment	15
Workouts	15
Exercise Instructions	15
Heart rate	16
Use	16
Adjusting the support feet	16
Adjusting resistance	17
Adjusting the footplates	17
How to row	17
Console (fig. E)	17
Explanation Display functions	18
Explanation of buttons	18
Operation	18
Programs	19
Manual mode	19
Interval mode	19
Target mode	19
Cleaning and maintenance	19
Water changes colour or becomes cloudy	20
Replacing the batteries	20
Seat rollers become noisy (Fig. E-2).	20
Troubleshooting	20
Transport and storage	20
Additional information	20
Technical data	20
Warranty	21
Declaration of the manufacturer	21
Disclaimer	21

Rower

Welcome to the world of Tunturi!

Thank you for purchasing this piece of Tunturi equipment. Tunturi offers a wide range of home fitness equipment, including crosstrainers, treadmills, exercise bikes and rowers. The Tunturi equipment is suitable for the entire family, no matter what fitness level. For more information, please visit our website www.tunturi.com

Important Safety Instructions

This Owner's Manual is an essential part of your training equipment: reading all instructions in this manual before you start using this appliance. The following precautions must always be followed:

Safety warnings



WARNING

- Read the safety warnings and the instructions. Failure to follow the safety warnings and the instructions can cause personal injury or damage to the equipment. Keep the safety warnings and the instructions for future reference.



WARNING

- Heart rate monitoring systems may be inaccurate. Over exercise may result in serious injury or death. If you feel faint stop exercising immediately.
- The equipment is suitable for domestic use only. The equipment is not suitable for commercial use.
- Max. usage is limited to 3 hrs a day.
- The use of this equipment by children or persons with a physical, sensory, mental or motorial disability, or lack of experience and knowledge can give cause to hazards. Persons responsible for their safety must give explicit instructions or supervise the use of the equipment.
- Before starting your workout, consult a physician to check your health.
- If you experience nausea, dizziness or other abnormal symptoms, immediately stop your workout and consult a physician.
- To avoid muscular pain and strain, start each workout by warming up and finish each workout by cooling down. Remember to stretch at the end of the workout.
- The equipment is suitable for indoor use only. The equipment is not suitable for outdoor use.
- Only use the equipment in environments with adequate ventilation. Do not use the equipment in draughty environments in order not to catch a cold.

- Only use the equipment in environments with ambient temperatures between 10 °C and 35 °C. Only store the equipment in environments with ambient temperatures between 5 °C and 45 °C.
- Do not use or store the equipment in humid surroundings. The air humidity must never be more than 80%.
- Only use the equipment for its intended purpose. Do not use the equipment for other purposes than described in the manual.
- Do not use the equipment if any part is damaged or defective. If a part is damaged or defective, contact your dealer.
- Keep your hands, feet and other body parts away from the moving parts.
- Keep your hair away from the moving parts.
- Wear appropriate clothing and shoes.
- Keep clothing, jewellery and other objects away from the moving parts.
- Make sure that only one person uses the equipment at a time. The equipment must not be used by persons weighing more than 135 kg (300 lbs).
- Do not open equipment without consulting your dealer.

Description (fig. A)

Your rower is a piece of stationary fitness equipment used to simulate rowing without causing excessive pressure to the joints.

Package contents (fig. B & C)

- The package contains the parts as shown in fig. B.
- The package contains the fasteners as shown in fig. C. Refer to the section "Description"



NOTE

- If a part is missing, contact your dealer.

Assembly (fig. D)



WARNING

- Assemble the equipment in the given order.
- Carry and move the equipment with at least two persons.

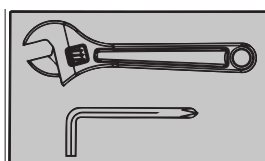


CAUTION

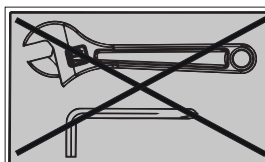
- Place the equipment on a firm, level surface.
- Place the equipment on a protective base to prevent damage to the floor surface.
- Allow at least 100 cm of clearance around the equipment.

- Refer to the illustrations for the correct assembly of the equipment.

Fasten Nuts and Bolts



Securely tighten all Nuts and Bolts after all components have been assembled in current and previous steps.



Do not tighten all Nuts and Bolts in this step.



NOT

- Save the tools provided with this product, after you completed the product assembly, for future service purposes.

Adjust tank water level

Filling the tank with water (fig. E-3)

- Remove the rubber tank plug from the top of the tank.
- Place a large bucket of water next to the rower and position the siphon with the rigid hose in the bucket and the flexible hose into the tank as shown. Make sure the small breather valve on the top of the siphon is closed before filling.



NOTE

- 17 liters of water is required for maximum filling.
- Where water quality is poor, we recommend using distilled water.
- Putting the bucket higher than the tank will allow the siphon to "self-pump" when adding water to the tank.
- Consider using a towel under the bucket and water tank preventing stains on the floor.



WARNING

- Filling the water level over the Maximum level might result in water leakage during workout.

- Begin filling the tank by squeezing the siphon. Use the level gauge decal on the side of the tank to measure volume of water in the tank.
- After filling the tank to the desired water level, open the valve on the top of the siphon to allow excess water to escape.

- Ensure that the tank plug is replaced once filling and water treatment procedures are complete.

Removing water from the tank (fig. E-4)

- Remove the tank plug.
- Insert the siphon rigid hose end into the tank
- Insert the siphon flexible hose end into a large bucket.
- Drain the tank (approx. 20% of water will remain in the tank. It is not possible to drain the tank completely without disassembling the tank)
- Refill the tank following the directions as described under the section "Filling the tank" of this manual.



NOTE

- The valve on top of the siphon must be closed to allow proper drainage.
- If the water treatment schedule is maintained, it will not be necessary to change the water inside the tank. An additional water treatment tablet is only required when discolouration of the water appears.
- Exposure to sunlight affects the water. Moving the rower away from direct sunlight will extend time between water treatments

Water treatment

- Add one water treatment tablet.
- Add a water treatment tablet whenever the water appears dirty or cloudy over time.



WARNING

- Only use the Tunturi supplied water treatment tablets.

Workouts

The workout must be suitably light, but of long duration. Aerobic exercise is based on improving the body's maximum oxygen uptake, which in turn improves endurance and fitness. You should perspire, but you should not get out of breath during the workout.

To reach and maintain a basic fitness level, exercise at least three times a week, 30 minutes at a time. Increase the number of exercise sessions to improve your fitness level. It is worthwhile to combine regular exercise with a healthy diet. A person committed to dieting should

exercise daily, at first 30 minutes or less at a time, gradually increasing the daily workout time to one hour. Start your workout at low speed and low resistance to prevent the cardiovascular system from being subjected to excessive strain.

As the fitness level improves, speed and resistance can be increased gradually. The efficiency of your exercise can be measured by monitoring your heart rate and your pulse rate.

Exercise Instructions

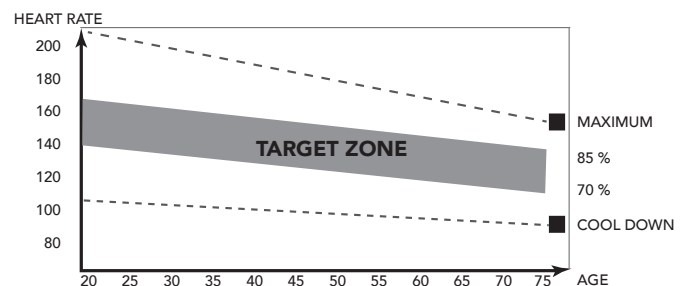
Using your fitness trainer will provide you with several benefits, it will improve your physical fitness, tone muscle and in conjunction with a calorie controlled diet help you lose weight.

The warming up phase

This stage helps get the blood flowing around the body and the muscles working properly. It will also reduce the risk of cramp and muscle injury. It is advisable to do a few stretching exercises as shown below. Each stretch should be held for approximately 30 seconds, do not force or jerk your muscles into a stretch - if it hurts, STOP

The exercise phase

This is the stage where you put the effort in. After regular use, the muscles in your legs will become more flexible. Work to your but it is very important to maintain a steady tempo throughout. The rate of work should be sufficient to raise your heart beat into the target zone shown on the graph below.



This stage should last for a minimum of 12 minutes though most people start at about 15-20 minutes

The cool down phase

This stage is to let your Cardiovascular System and muscles wind down. This is a repeat of the warm up exercise e.g. reduce your tempo, continue for approximately 5 minutes. The stretching exercises should now be repeated, again remembering not to force or jerk your muscles into the stretch.

As you get fitter you may need to train longer and harder. It is advisable to train at least three times a week, and if possible space your workouts evenly throughout the week.

Muscle toning

To tone muscle while on your fitness trainer you will need to have the resistance set quite high. This will put more strain on our leg muscles and may mean you cannot train for as long as you would like. If you are also trying to improve your fitness you need to alter your training program. You should train as normal during the warm up and cool down phases, but towards the end of the exercise phase you should increase resistance making your legs work harder. You will have to reduce your speed to keep your heart rate in the target zone.

Weight loss

The important factor here is the amount of effort you put in. The harder and longer you work the more calories you will burn. Effectively this is the same as if you were training to improve your fitness, the difference is the goal.

Heart rate

Heart rate measurement (heart rate chest belt)

The most accurate heart rate measurement is achieved with a heart rate chest belt. The heart rate is measured by a heart rate receiver in combination with a heart rate transmitter belt. Accurate heart measurement requires that the electrodes on the transmitter belt are slight moist and constantly touching the skin. If the electrodes are too dry or too moist, the heart rate measurement will become less accurate.



WARNING

- If you have a pacemaker, consult a physician before using a heart rate chest belt.



CAUTION

- If there are several heart rate measurement devices next to each other, make sure that the distance between them is at least 1.5 metres.
- If there is only one heart rate receiver and several heart rate transmitters, make sure that only one person with a transmitter is within transmission range.



NOTE

- Always wear the heart rate chest belt under your clothes directly in contact with your skin. Do not wear the heart rate chest belt above your clothes. If you wear the heart rate chest belt above your clothes, there will be no signal.
- If you set a heart rate limit for your workout, an alarm will sound when it is exceeded.

- The transmitter transmits the heart rate to the console up to a distance of 1 metre. If the electrodes are not moist, the heart rate will not appear on the display.
- Some fibers in clothes (e.g. polyester, polyamide) create static electricity which can prevent accurate heart rate measurement.
- Mobile phones, televisions and other electrical appliances create an electromagnetic field which can prevent accurate heart rate measurement.

Maximum heart rate (during training)

The maximum heart rate is the highest heart rate a person can safely achieve through exercise stress. The following formula is used to calculate the average maximum heart rate: $220 - AGE$. The maximum heart rate varies from person to person.



WARNING

- Make sure that you do not exceed your maximum heart rate during your workout. If you belong to a risk group, consult a physician.

Beginner 50-60% of maximum heart rate

Suitable for beginners, weight-watchers, convalescents and persons who have not exercised for a long time. Exercise at least three times a week, 30 minutes at a time.

Advanced 60-70% of maximum heart rate

Suitable for persons who want to improve and maintain fitness. Exercise at least three times a week, 30 minutes at a time.

Expert 70-80% of maximum heart rate

Suitable for the fittest of persons who are used to long-endurance workouts.

Use

Adjusting the support feet

The equipment is equipped with 2 support feet. If the equipment is not stable, the support feet can be adjusted.

- Turn the support feet as required to put the equipment in a stable position.
- Tighten the locknuts to lock the support feet.



NOTE

- The machine is the most stable when all support feet are turned fully in. Therefore start to level the machine by turning all support feet fully in, before turning out the required support feet to stable the machine.

Adjusting resistance

To increase or decrease resistance, adjust the water level.

- More water is more resistance.
Less water is less resistance.

The scale on the water tank helps you find and set a suitable resistance.

Adjusting the footplates

- Lift the top of the sliding portion of the footplate and slide up or down.
The symbols A ~ F represent a guideline from which the proper length can be determined.
- Secure the plate onto the mounting pegs and push down firmly to lock into position.



WARNING

- Never operate this rower without feet properly secured in Foot straps, or without the sliding portion of the Slider Footplate locked into position.

How to row

	<p>Catch</p> <p>Comfortably forward with straight back and arms.</p>
	<p>Drive</p> <p>Push with the legs while arms remain straight.</p>

	<p>Finish</p> <p>Pull through with arms and legs rocking slightly back on your pelvis.</p>
	<p>Recovery</p> <p>Upper body tips forward over your pelvis and move forward.</p>
	<p>Catch</p> <p>Back to the starting position and begin again.</p>

Catch - Drive

Begin the stroke comfortably in forward position and push strongly back with your legs while keeping your arms and back straight.

Finish

Begin to pull your arms back as they pass over your knees and continue the stroke through to completion rocking slightly back over your pelvis.

Recovery - Catch

Return to the starting position and repeat.



WARNING

- Always consult a doctor before beginning an exercise program.
- Stop immediately if you feel faint or dizzy.

Console (fig. E)



CAUTION

- Keep the console away from direct sunlight.
- Dry the surface of the console when it is covered with drops of sweat.
- Do not lean on the console.



NOTE

- The console switches to standby mode when the equipment is not used for 4 minutes.

Explanation Display functions

Time

- Without setting the target value, time will count up.
- When setting the target value, time will count down from your target time to 0 and alarm will sound or flash.
- Without any signal being transmitted into the monitor for 4 seconds during workout, time will STOP
- Display range: 0:00~99:59
- Target range: 0:00~99:00 (± 01:00)

Time/ 500M

Shows the time needed to run a 500 meter distance workout, based on the current rowing intensity.

Distance

- Without setting the target value, distance will count up.
- When setting the target value, distance will count down from your target distance to 0 with an alarm sound or flash.
- Display Range 0~9999
- Target Range 10 ~ 9990 (± 10)

Calorie

- Without setting the target value, calorie will count up.
- When setting the target value, calories will count down from your target value to 0 with an alarm sound or flash.
- Display range: 0~9990.
- Target Range 10 ~ 9990 (± 10)



NOTE

- This data is a rough guide for comparison of different exercise sessions which cannot be used in medical treatment

Pulse

- Current pulse will display after 6 seconds when detected by the console.
- Without any pulse signal for 6 seconds, console will display "P".
- Pulse alarm will sound when current pulse is over the target pulse.
- Range: 0-30 ~ 230 BPM

SPM

- SPM is Strokes Per Minute and is showing the average Strokes per minute during workout.
- Display range: 0 ~ 999

Strokes

- Without setting the target value, strokes will count up.

- When setting the target value, strokes will count down from your target distance to 0 with an alarm sound or flash. (During countdown "Remaining" is shown)
- Display range: 0 ~ 9999
- Target range: 10 ~ 9990 (± 10)

Total Strokes

- Will display the total strokes of all workouts.
- This value cannot be reset, other than by changing the batteries.
- Display range: 0 ~ 9999

Explanation of buttons

Set

- Press SET button to select functions: MANUAL, INTERVAL, TARGET
- Press SET button to increase value. Press and hold the button to increase value faster.
- TIME setting range: 00:00~99:00 (±1:00)
- STROKES setting range: 0~9990 (± 10)
- DIST setting range: 0~9990 (± 10)
- CAL setting range: 0~9990 (± 10)
- PULSE setting range: 30~230 (± 1)

Mode

- Press mode button to select console functions.
- In operational mode, press Mode to Stop/ Pause the workout.
- In Stop mode, press Mode button to continue workout.

Reset

- In setting mode, press RESET key once to reset the current function figures.
- In STOP mode, press "RESET" button once to reset workout mode and return to programming mode.
- Press RESET key and hold for 2 seconds to reset all function figures, and reboot console.

Operation

Power on

- Press any key to power on the console when being in sleep mode..
- Start workout to power on the console when being in sleep mode.

Power off

Without any signal being transmitted into the monitor for 4 minutes the monitor will enter SLEEP mode automatically. (Active training data will be lost)

**WARNING**

- We recommend to remove the batteries from the console when the equipment is not used for a longer period of time.

Programs

Manual mode

- Press "Mode" button to open program selection mode, select "Manual" by using "Set" button and confirm by pressing "Mode".

Interval mode

- Press "Mode" button to open program selection mode, select "Interval" by using "Set" button and confirm by pressing "Mode".
- Press "Set" button to select 10/20, 20/10 or Custom mode and confirm by pressing "Mode".

Selected 10/ 20.

- The console will show a 3 second countdown to start program.
 - » Workout time of 10 seconds will count down to 0.
 - » Rest time of 20 seconds will count down to 0.
 - » Step 1 & 2 will cycle for 8 times.

Selected 20/ 10.

- The console will show a 3 second countdown to start program.
 - » Workout time of 20 seconds will count down to 0.
 - » Rest time of 10 seconds will count down to 0.
 - » Step 1 & 2 will cycle for 8 times.

Selected Custum.

- SET ROUND will blink, press "Set" button to select the number of program cycles and confirm by pressing "Enter".
(Range 1 ~ 99 ± 1)
- SET WORK will blink, press "Set" button to set workout time and confirm by pressing "Enter"
(Range: 0:05~10:00 min. ± 0:01 sec.)
- SET REST will blink, press "Set" button to set rest time and confirm by pressing "Enter"
(Range: 0:05~10:00 min. ± 0:01 sec.)
- The console will show a 3 second countdown to start program.
 - » Pre set workout time will count down to 0.
 - » Preset rest time will count down to 0.
 - » Step 1 & 2 will cycle for the number of preset cycles.

Target mode

- Press "Mode" button to open program selection mode, select "TARGET" by using "Set" button and confirm by pressing "Mode".

Time Target.

To set Time target press "Mode" button.
Set target time by pressing "Set" button.
(Target : 0:00~99:00 min. ± 1:00 min.)

Strokes Target.

To set Strokes target press "Mode" button.
Set target strokes by pressing "Set" button.
(Target : 10~9990 min. ± 10.)

Pulse Target.

To set Pulse target press "Mode" button.
Set target Pulse by pressing "Set" button.
(Target : 30~230 min. ± 1.)

Calorie Target.

To set Calories target press "Mode" button.
Set target Calories by pressing "Set" button.
(Target : 10~9990 min. ± 10.)

Distance Target.

To set Distance target press "Mode" button.
Set target Distance by pressing "Set" button.
(Target : 10~9990 min. ± 10.)

When set the desired target the console will start workout. Target value will count down, all other parameters will count up.

**NOTE**

- It is not possible to set more than one target.

Cleaning and maintenance

The equipment does not require special maintenance. The equipment does not require recalibration when it is assembled, used and serviced according to the instructions.

**WARNING**

- Do not use solvents to clean the equipment.
- Clean the equipment with a soft, absorbent cloth after each use.
- Regularly check that all screws and nuts are tight.
- If necessary, lubricate the joints.

Water changes colour or becomes cloudy

Possible cause:

Rower is in direct sunlight or has not had water treatment.

Solution:

- Change rower location to reduce direct exposure to sunlight.
- Add water treatment or change tank water as directed in the water treatment section of this manual.

Replacing the batteries

The console is equipped with 2 AA batteries at the rear of the console.

- Remove the cover.
- Remove the old batteries.
- Insert the new batteries. Make sure that batteries match the (+) and (-) polarity markings.
- Mount the cover.

Seat rollers become noisy (Fig. E-2).

When seat rollers become (squeaking) noisy, it is recommended to apply one drop of silicon lubricant on the roller race where the rollers are running over during workout. (Fig. E-2)



NOTE

- Do not apply too much lubricant as this will result in a slippery feeling.

Troubleshooting

Despite continuous quality control, defects and malfunctions caused by individual components may occur in the equipment. In most cases it's unnecessary to take the whole device in for repair, as it's usually sufficient to replace the defective part.

If the equipment does not function properly during use, contact your Tunturi dealer immediately. Always give the model and serial number of your equipment. Please state also the nature of the problem, conditions of use and purchase date.

If you require spare parts, always give the model, serial number of your equipment and the spare part number for the part you need. The spare part list is at the back of this manual. Use only spare parts mentioned in the spare part list.

Transport and storage



WARNING

- Carry and move the equipment with at least two persons.
- Move the equipment carefully over uneven surfaces. Do not move the equipment upstairs using the wheels, but carry the equipment by the handlebars.
- Store the equipment in a dry place with as little temperature variation as possible.

Additional information

Packaging disposal

Government guidelines ask that we reduce the amount of waste material disposed of in land fill sites. We therefore ask that you dispose of all packaging waste responsibly at public recycling centres.

End of life disposal

We at Tunturi hope you enjoy many years of enjoyable use from your fitness trainer. However, a time will come when your fitness trainer will come to the end of its useful life. Under 'European WEEE Legislation you are responsible for the appropriate disposal of your fitness trainer to a recognised public collection facility.

Technical data

Parameter	Unit of measurement	Value
Length	cm	228.0
	inch	89.8
Width	cm	56.0
	inch	21,9
Height	cm	65.6
	inch	25,8
Weight	kg	50.4
	lbs	111,0

Max. user weight	kg lbs	135 300
Battery size	2pcs	AA

Warranty

Warranty terms

The consumer is entitled to the applicable legal rights stated in the national legislation concerning the commerce of consumer goods. This warranty does not restrict these rights. The Purchaser's Warranty is only valid if the item is used in an environment approved by Tunturi New Fitness BV for that particular equipment. The product-specific approved environment is stated in the Owner's Manual provided with your equipment.

Warranty conditions

The warranty conditions commence from the date of purchase. Warranty conditions may vary per country, so please consult your local dealer for the warranty conditions.

Warranty coverage

Under no circumstances shall Tunturi New Fitness BV or the Tunturi Distributor be liable by virtue of this warranty or otherwise for any special, indirect, secondary or consequential damages of any nature arising out of any use or inability to use this equipment.

Warranty limitations

This warranty covers manufacturing defects in the fitness equipment as originally packed by Tunturi New Fitness BV. The warranty shall apply only under conditions of normal, recommended use of the product as described in the Owner's Manual and providing that Tunturi New Fitness BV's instructions for installation, maintenance and use have been complied with. Neither Tunturi New Fitness BV's nor the Tunturi Distributors' obligations apply to defects due to reasons beyond their control. The warranty applies only to the original purchaser and is valid only in countries where Tunturi New Fitness BV has an authorised importer. The warranty does not extend to fitness equipment or components that have been modified without the consent of Tunturi New Fitness BV. Defects resulting from normal wear, misuse, abuse, corrosion, or damage incurred during loading or transportation are not covered.

The warranty does not cover sounds or noises emitted during use where these do not substantially impede the use of the equipment and where they are not caused by a fault in the equipment.

The warranty does not cover defects arising from the failure to carry periodic maintenance as outlined within the Owner's Manual for the product. Furthermore, the

warranty does not cover defects arising from usage and storage within an unsuitable environment as described within the Owner's Manual which should be indoors, dry, dust and grit free and within a temperature range of +15°C to +35°C. The warranty does not cover maintenance activities, such as cleaning, lubricating, and normal part adjustments, nor installation

procedures that customers can accomplish themselves, such as changing uncomplicated meters, pedals and other similar parts not requiring any dismantling/reassembling of the fitness equipment. Warranty repairs carried out by other than authorised Tunturi representatives are not covered.

Failure to follow the instructions given in the Owner's Manual will invalidate the product's warranty.

Declaration of the manufacturer

Tunturi New Fitness BV declares that the product is in conformity with the following standards and directives: EN 957 (HB), 89/336/EEC. The product therefore carries the CE label.

05-2018

Tunturi New Fitness BV
Purmerweg 1
1311 XE Almere
The Netherlands

Disclaimer

© 2018 Tunturi New Fitness BV
All rights reserved.

The product and the manual are subject to change. Specifications can be changed without further notice.

Deutsch

Diese deutsche Bedienungsanleitung ist eine Übersetzung des englischen Textes. Es können keine Rechte auf diese Übersetzung abgeleitet werden.

Index

Rudergerät	22
Warnhinweise zur Sicherheit.....	22
Beschreibung (abb. A)	23
Verpackungsinhalt (abb. B & C)	23
Zusammenbau (abb. D)	23
Ziehen Muttern und Schrauben	23
Tankfüllung und Wasserbehandlung.....	24
Den Tank füllen (Abb. E-3)	24
Entfernung vom Wasser aus dem tank (Abb. E-4)	24
Wasserbehandlung	24
Trainings.....	24
Trainingsanleitung	25
Herzfrequenz	25
Gebrauch.....	26
Einstellen der Stützfüße	26
Widerstand einstellen	26
Anpassen der Fußrasten	26
Richtig Rudern	27
Konsole (abb. E)	27
Erläuterung der Anzeigefunktionen	27
Erläuterung der Schalter	28
Bedienung	28
Programme.....	28
Manueller Modus	28
Intervallmodus	28
Zielmodus	29
Reinigung und Wartung.....	29
Wasser ändert die Farbe und zieht flockig aus.	29
Erneuerung der Batterien	30
Sitzrollen werden laut (Abb E-2).	30
Störungen und Fehlfunktionen	30
Transport und Lagerung.....	30
Zusätzliche Informationen	30
Technische Daten.....	30
Garantie.....	31
Herstellereklärung.....	31
Haftungsausschluss	31

Rudergerät

Willkommen in der Welt von Tunturi!

Danke, dass Sie dieses Gerät von Tunturi erworben haben. Tunturi bietet eine breite Palette an Heim-Fitnessgeräten wie beispielsweise Crosstrainer, Laufbänder, Trainingsfahrräder und Rudergeräte an. Die Tunturi Geräte sind für die ganze Familie geeignet - ganz egal, wie fit man ist. Weitere Informationen finden Sie auf unserer Website unter www.tunturi.com

Wichtige sicherheitshinweise

Dieses Handbuch ist ein wesentlicher Bestandteil Ihres Trainingsgerätes. Lesen Sie es bitte sorgfältig durch, bevor Sie Ihr Trainingsgerät montieren, mit ihm trainieren oder es warten. Bitte bewahren Sie dieses Handbuch auf; es wird Sie jetzt und zukünftig darüber informieren, wie Sie Ihr Gerät benutzen und warten. Befolgen Sie diese Anweisungen immer sorgfältig.

Warnhinweise zur Sicherheit



WARNUNG

- Lesen Sie die Warnhinweise zur Sicherheit und die Anweisungen. Werden die Warnhinweise zur Sicherheit und die Anweisungen nicht befolgt, kann dies zu Personenverletzungen und Schäden am Gerät führen. Bewahren Sie die Warnhinweise zur Sicherheit und die Anweisungen zur künftigen Bezugnahme auf.



WARUNG

- Herzfrequenz-Überwachungssysteme können ungenau sein.
- Eine Überanstrengung kann zu schweren Schädigungen oder zum Tod führen. Wenn Sie sich schwach oder ohnmächtig fühlen, stellen Sie die Übungen unverzüglich ein.

- Das Gerät ist nur für den Hausgebrauch geeignet. Das Gerät ist nicht für den gewerblichen Gebrauch geeignet.
- Die maximale Verwendung ist auf 3 Stunden pro Tag beschränkt
- Wenn dieses Gerät von Kindern oder Personen mit körperlicher, sensorischer, geistiger oder motorischer Behinderung verwendet wird, oder wenn nicht genügend Erfahrung und Kenntnisse vorhanden sind, kann dies zu Gefahrensituationen führen. Personen, die für deren Sicherheit verantwortlich sind, müssen klare Anweisungen geben oder den Gebrauch des Geräts beaufsichtigen.

- Bevor Sie Ihr Training starten, nehmen Sie Kontakt mit einem Arzt auf, um Ihre Gesundheit kontrollieren zu lassen.
- Falls Sie Übelkeit, ein Schwindelgefühl oder andere anormale Symptome verspüren, hören Sie unverzüglich mit Ihrem Training auf und wenden Sie sich an einen Arzt.
- Um einen Muskelkater zu vermeiden, starten Sie jedes Training mit Aufwärmen und beenden Sie es mit Abkühlen. Denken Sie daran, sich am Ende des Trainings zu dehnen.
- Das Gerät ist nur für den Gebrauch in geschlossenen Räumen geeignet. Das Gerät ist nicht für den Gebrauch im Freien geeignet.
- Verwenden Sie das Gerät nur in Umgebungen mit ausreichender Belüftung. Verwenden Sie das Gerät nicht in zugiger Umgebung, damit Sie sich nicht erkälten.
- Verwenden Sie das Gerät nur in Umgebungen mit Umgebungstemperaturen zwischen 10 °C und 35 °C. Lagern Sie das Gerät nur in Umgebungen mit einer Umgebungstemperatur zwischen 5 °C und 45 °C.
- Verwenden und lagern Sie das Gerät nicht in feuchten Umgebungen. Die Luftfeuchtigkeit darf niemals 80% überschreiten.
- Verwenden Sie das Gerät nur bestimmungsgemäß. Verwenden Sie das Gerät nicht für einen anderen als für den in diesem Handbuch beschriebenen Zweck.
- Verwenden Sie das Gerät nicht, falls Teile beschädigt oder defekt sind. Ist ein Teil beschädigt oder defekt, wenden Sie sich an Ihren Händler.
- Halten Sie Ihre Hände, Füße und andere Körperteile von den beweglichen Teilen fern.
- Halten Sie Ihr Haar von den beweglichen Teilen fern.
- Tragen Sie entsprechende Kleidung und Schuhe.
- Halten Sie Kleidung, Schmuck und andere Gegenstände von den beweglichen Teilen fern.
- Vergewissern Sie sich, dass das Gerät nur von einer Person auf einmal verwendet wird. Das Gerät darf nicht von Personen verwendet werden, deren Gewicht 135 kg (300 lbs) überschreitet.
- Öffnen Sie das Gerät nicht, ohne vorher mit Ihrem Händler zu sprechen.

Beschreibung (abb. A)

Ihr Rudergerät ist ein ortsgebundenes Fitnessgerät, das zur Simulation des Ruderns erwendet wird, ohne dabei einen übermäßigen Druck auf die Gelenke auszuüben.

Verpackungsinhalt (abb. B & C)

- Die Verpackung enthält die in Abb. B dargestellten Teile.
- Die Verpackung enthält die Befestigungsteile gemäß Abb. C. Siehe Abschnitt "Beschreibung".



HINWEIS

- Fehlt ein Teil, wenden Sie sich an Ihren Händler.

Zusammenbau (abb. D)



WARNUNG

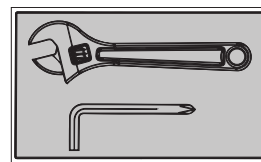
- Bauen Sie das Gerät in der angegebenen Reihenfolge zusammen.
- Tragen und bewegen Sie das Gerät mit mindestens zwei Personen.



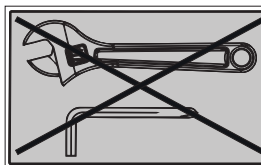
VORSICHT

- Stellen Sie das Gerät auf festen, ebenen Boden.
 - Stellen Sie das Gerät auf eine schützende Unterlage, um Schäden am Bodenbelag zu vermeiden.
 - Sorgen Sie rund um das Gerät für einen Freiraum von mindestens 100 cm.
- Der richtige Zusammenbau des Geräts geht aus den Abbildungen hervor.

Ziehen Muttern und Schrauben



Ziehen Sie die Muttern und Schrauben fest an, nachdem alle Komponenten im aktuellen und in den vorherigen Schritten montiert wurden.



Ziehen Sie nicht alle Muttern und Schrauben in diesem Schritt fest.



HINWEIS

- Heben Sie die Werkzeuge für künftige Zwecke auf, die zu diesem Produkt geliefert wurden, wenn Sie die Montage beendet haben.

Tankfüllung und Wasserbehandlung

Den Tank füllen (Abb. E-3)

- Entfernen Sie den Gummistöpsel auf der Oberseite des Tanks.
- Platziere einen Großen Eimer mit Wasser neben dem Gerät und stecken Sie das flexible Ende im Tank und das Starre Ende der Handpumpe im Eimer, wie abgebildet. Stellen Sie sicher, dass das Entlüftungsventil am oberen Ende der Handpumpe geschlossen ist bevor sie anfangen den Tank zu füllen.



HINWEIS

- Es werden 17 Liter Wasser benötigt um eine Maximale Füllung zu gewährleisten.
- Sollte die Wasserqualität in ihrer Umgebung bekanntermaßen schlecht sein, dann empfehlen wir ihnen destilliertes Wasser zu verwenden.
- Stellen Sie den Wassereimer höher als den Tank, so kommt es zu einem „Selbs-Full“ Effekt.
- Benutzen Sie ein Handtuch unter dem Eimer und dem Tank um Flecken auf dem Fußboden zu vermeiden.



WARNUNG

- Wenn Sie den Wasserstand über den Maximalwert füllen, kann während des Trainings Wasser austreten.
- Beginnen Sie die Füllung des Tanks indem Sie die Handpumpe zusammendrücken. Benutze den Aufkleber mit der wasserstandanzeigen auf der Seite des Tanks um den jeweiligen Wasserstand im Tank abzulesen.
- Nachdem Sie den Wasserstand im Tank auf dem von ihnen gewünschten Niveau gebracht haben, öffnen Sie das Entlüftungsventil auf der Oberseite der Handpumpe um das überflüssige Wasser ausfließen zu lassen.
- Stellen Sie sicher, dass der Tank Plug nach der Wasserfüllung oder Wasserbehandlung wieder eingeschraubt wird.

Entfernung vom Wasser aus dem tank (Abb. E-4)

- Entferne des Entlüftungsventil (tank plug).
- Stecken Sie das Starre Ende der Handpumpe im Tank.
- Stecken Sie das flexible Ende der Handpumpe im Eimer.

- Entleere den Tank (etwa 20% vom Wasser bleibt im Tank, es ist nicht möglich den Tank ganz zu leeren ohne diesen zu demontieren).
- Füllen Sie den Tank wie beschrieben in "den Tank füllen" in dieser Anleitung.



HINWEIS

- Das Entlüftungsventil (Tank Plug) auf der Oberseite der Handpumpe muss geschlossen sein um eine korrekte Funktion der Handpumpe zu erreichen.
- Wenn die Wasserbehandlung korrekt durchgeführt wird ist es nicht notwendig das Wasser im Tank zu erneuern. Zusätzliche Chlortabletten sind nur bei eventueller Verfärbung vom Wasser notwendig.
- Aussetzung an direktem Sonnenlicht kann ein negatives Effekt auf dem Wasser haben. Eine Aufstellung außerhalb direkter Sonneneinstrahlung verlängern die Zeitspannen zwischen den Wasserbehandlungen.

Wasserbehandlung

- Füge dem Wasser im Tank eine wasserbehandlungs-Tablette zu (20).
- Füge eine Wasserbehandlung-Tablette zu wenn das Wasser verschmutzt oder wolkig ist.



WARNUNG

- Verwenden Sie nur die von Tunturi gelieferten Wasserbehandlungs-Tabletten.

Trainings

Das Training muss leicht und geeignet, aber von langer Dauer sein. Aerobic-Übungen basieren auf der Verbesserung der maximalen Sauerstoffaufnahme des Körpers, was wiederum die Ausdauer und Fitness verbessert. Sie sollten während des Trainings zwar ins Schwitzen, aber nicht außer Atem kommen. Um eine Basisfitness zu erreichen und zu halten, üben Sie mindestens drei mal pro Woche 30 Minuten lang an einem Stück. Erhöhen Sie die Anzahl der Übungssitzungen, um Ihre Fitness zu verbessern. Es lohnt sich, die regelmäßigen Übungen mit einer gesunden Diät zu kombinieren. Personen, die Diät machen, sollten täglich zuerst 30 Minuten oder weniger an einem Stück üben und die tägliche Trainingszeit allmählich auf eine Stunde verlängern. Beginnen Sie Ihr Training mit niedriger Geschwindigkeit und geringem Widerstand, um zu vermeiden, dass das Herzkreislaufsystem einer übermäßigen Belastung ausgesetzt wird. Mit sich verbessernder Fitness können Geschwindigkeit und Widerstand allmählich erhöht

werden. Die Wirksamkeit Ihrer Übungen kann durch Überwachung der Herzfrequenz und Ihrer Pulsfrequenz gemessen werden.

Trainingsanleitung

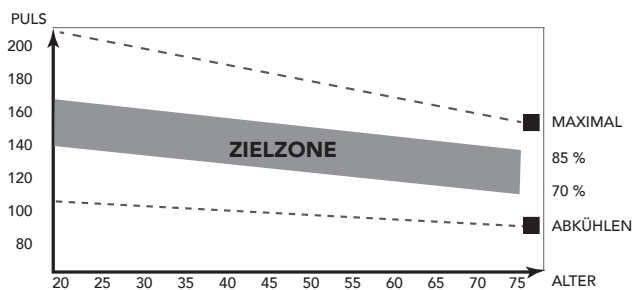
Die Verwendung des Fitnessstrainers wird Ihnen viele Vorteile bieten: Er verbessert Ihre körperliche Fitness, formt die Muskeln und hilft Ihnen, in Verbindung mit einer kalorienreduzierten Diät, Gewicht zu verlieren.

Die Aufwärm-Phase

Der Blutkreislauf wird angeregt und die Muskelfunktionen werden unterstützt. Außerdem wird das Risiko von Krämpfen und Muskelverletzungen gesenkt. Sie sollten, wie unten angezeigt, einige Dehnungsübungen machen. Sie sollten weder die Dehnungsbewegung erzwingen noch die Muskeln dabei ruckweise bewegen - wenn Sie Schmerzen haben, sollten Sie AUFHÖREN.

Die Trainings-Phase

In dieser Phase strengen Sie sich an. Nach regelmäßiger Verwendung werden die Muskeln in Ihren Beinen beweglicher. In dieser Phase ist es sehr wichtig, immer ein gleichmäßiges Tempo beizubehalten. Die Anstrengung sollte ausreichen, um Ihren Herzschlag bis in die Zielzone zu erhöhen, die im folgenden Diagramm dargestellt ist.



Diese Phase sollte mindestens 12 Minuten dauern; die meisten Menschen beginnen mit ca. 15 bis 20 Minuten.

Die Abkühlungs-Phase

Sie dient der Entspannung Ihres Herz-Kreislaufsystems und Ihrer Muskeln. Dabei werden die Aufwärmübungen wiederholt, reduzieren Sie zum Beispiel Ihr Tempo und machen Sie ca. 5 Minuten weiter. Jetzt sollten die Dehnübungen wiederholt werden. Denken Sie wiederum daran, weder die Dehnungsbewegung zu erzwingen noch die Muskeln dabei ruckweise zu bewegen.

Wenn Sie fitter werden, kann es sein, dass Sie länger und härter trainieren müssen. Sie sollten mindestens drei Mal die Woche trainieren und, falls möglich, Ihre Trainingseinheiten gleichmäßig über die Woche verteilen.

Muskelformung

Um Ihre Muskeln beim Training auf dem Fitnessstrainer zu formen, müssen Sie den Widerstand ziemlich hoch einstellen. Dadurch werden die Beinmuskeln mehr angestrengt und Sie können möglicherweise nicht so lange trainieren, wie Sie möchten. Wenn Sie außerdem Ihre Fitness verbessern möchten, müssen Sie Ihr Trainingsprogramm ändern. Sie sollten in den Aufwärm- und Abkühlphasen normal trainieren, jedoch gegen Ende der Trainingsphase den Widerstand erhöhen, damit Ihre Beine härter arbeiten müssen. Sie müssen die Geschwindigkeit verringern, damit Ihre Herzfrequenz in der Zielzone bleibt.

Gewichtsabnahme

Der wichtige Faktor ist, wie sehr Sie sich anstrengen. Je härter und je länger Sie trainieren, desto mehr Kalorien verbrennen Sie. Dies ist im Grunde dasselbe, wie wenn zur Verbesserung Ihrer Fitness trainieren, nur das Ziel ist ein anderes.

Herzfrequenz

Herzfrequenzmessung (Herzfrequenz-Brustgürtel)

Die genaueste Herzfrequenzmessung lässt sich mit einem Herzfrequenz-Brustgürtel erzielen. Die Herzfrequenz wird mit einem Herzfrequenzempfänger in Kombination mit einem Herzfrequenz-Sendegürtel gemessen. Für eine genaue Herzfrequenzmessung ist es erforderlich, dass die Elektroden am Sender etwas feucht sind und die Haut konstant berühren. Sind die Elektroden zu trocken oder zu feucht, wird die Herzfrequenzmessung weniger genau.



WARNUNG

- Falls Sie einen Schrittmacher haben, wenden Sie sich zunächst an einen Arzt, bevor Sie einen Herzfrequenz-Brustgürtel verwenden.



VORSICHT

- Falls sich mehrere Herzfrequenz-Messgeräte in gegenseitiger Nähe befinden, vergewissern Sie sich, dass der Abstand zwischen ihnen mindestens 1,5 Meter beträgt.
- Falls nur ein Herzfrequenzempfänger und mehrere Herzfrequenzsender vorhanden sind, vergewissern Sie sich, dass nur eine Person mit einem Sender in Sendereichweite ist.



HINWEIS

- Tragen Sie den Herzfrequenz-Brustgürtel stets mit direktem Hautkontakt unter Ihrer Kleidung. Tragen Sie den Herzfrequenz-Brustgürtel nicht auf Ihrer Kleidung. Falls Sie den Herzfrequenz-Brustgürtel auf Ihrer Kleidung tragen, gibt es kein Signal.

- Wenn Sie sich einen Herzfrequenz-Grenzwert für Ihr Training setzen, ertönt beim Überschreiten ein Signal.
- Der Sender überträgt die Herzfrequenz in einem Abstand bis zu 1 Meter zur Konsole. Sind die Elektroden nicht feucht, erscheint die Herzfrequenz nicht auf der Anzeige.
- Einige Fasern in der Kleidung (z.B. Polyester, Polyamid) erzeugen statische Elektrizität, die eine genaue Herzfrequenzmessung verhindern kann.
- Mobiltelefone, Fernsehgeräte und andere Elektrogeräte erzeugen ein elektromagnetisches Feld, das eine genaue Herzfrequenzmessung verhindern kann.

Maximale Herzfrequenz (während des Trainings)

Die maximale Herzfrequenz ist die höchste Herzfrequenz, die eine Person durch Übungsbelastung sicher erzielen kann. Folgende Formel wird zur Berechnung der durchschnittlichen maximalen Herzfrequenz verwendet: $220 - \text{ALTER}$. Die maximale Herzfrequenz variiert von Person zu Person.



WARNUNG

- Stellen Sie sicher, dass Sie während des Trainings Ihre maximale Herzfrequenz nicht überschreiten. Falls Sie einer Risikogruppe angehören, wenden Sie sich an einen Arzt.

Anfänger 50-60% der maximalen Herzfrequenz

Geeignet für Anfänger, Gewicht- Beobachter, Genesende und Personen, die schon lange nicht mehr trainiert haben. Trainieren Sie mindestens dreimal pro Woche 30 Minuten an einem Stück.

Fortgeschritten 60-70% der maximalen Herzfrequenz

Geeignet für Personen, die ihre Fitness verbessern und halten wollen. Trainieren Sie mindestens dreimal pro Woche 30 Minuten an einem Stück.

Experte 70-80% der maximalen Herzfrequenz

Geeignet für die fittesten Personen, die sich an lange Ausdauertrainings gewöhnt haben.

Gebrauch

Einstellen der Stützfüße

Das Gerät hat 2 Stützfüße. Steht das Gerät nicht stabil, kann es mit den Stützfüßen eingestellt werden.

- Drehen Sie die Stützfüße wie erforderlich, um das Gerät in eine stabile Position zu bringen.

- Ziehen Sie die Sicherungsmuttern an, um die Stützfüße zu sichern.



HINWEIS

- Die Maschine steht am stabilsten, wenn alle Stützfüße vollständig eingeschraubt sind. Nivellieren Sie die Maschine daher, indem Sie alle Stützfüße vollständig eindrehen, bevor Sie die entsprechenden Füße zur Stabilisierung der Maschine wieder herausdrehen.

Widerstand einstellen

Um den Widerstand zu erhöhen oder zu verringern, stellen Sie den Wasserstand ein.

- Mehr Wasser ist mehr Widerstand.
- Weniger Wasser ist weniger Widerstand.

Sie Skala am Wassertank hilft Ihnen beim Festlegen des geeigneten Widerstands.

Anpassen der Fußrasten

- Heben Sie die obere Seite und schieben Sie die Fußrasten in der gewünschten Position. Die Symbole A ~ F stellen einen Richtwert da von welchem man die Fußrasten ausrichten kann.
- Richten Sie die Fußraste, mit den Haltestiften aus und drücke diese dann fest runter um die Position zu fixieren.



WARNUNG

- Benutzen Sie das Rudergerät nicht ohne das Sie ihre Füße in den Fußrasten festgezogen haben. Achten Sie auch darauf, dass die Fußrasten richtig auf den Haltestiften eingerastet sind.

Richtig Rudern

	<p>Vorlage</p> <p>Angenehm nach vorne mit gestreckte Arme und Rücken.</p>
	<p>Durchzug</p> <p>Drücke mit den Beinen nach hinten während die Arme gestreckt bleiben.</p>

	<p>Rücklage</p> <p>Ziehe mit den Armen und Beinen durch bis Sie leicht nach hinten lehnen.</p>
	<p>Vorziehen</p> <p>Oberkörper nach vorne lehnen und Körper nach vorne bewegen.</p>
	<p>Vorlage</p> <p>Gehen Sie zurück in die Ausgangsposition und wiederholen Sie den Vorga.</p>

Vorlage - Durchzug

Beginnen Sie mit angenehm nach vorne gestreckten Armen und Rücken. Drücken Sie die beine nach hinten, die Arme und der Rücken bleiben gestreckt.

Rücklage

Ziehe die Arme zurück sobald diese über die Knie sind und ziehe diese durch bis Sie leicht nach hinten lehnen.

Vorlage

Gehe zurück zur Ausgangsposition und wiederholen Sie den Vorgang.



WARNUNG

- Kontaktiere immer ihren Arzt bevor Sie ein Trainingsprogramm beginnen.
- Stoppen Sie direkt wenn Sie sich schwindlig oder unwohl fühlen.

Konsole (abb. E)



VORSICHT

- Halten Sie die Konsole von direkter Sonneneinstrahlung fern.
- Trocknen Sie die Oberfläche der Konsole, wenn Sie mit Schweißtropfen bedeckt ist.
- Lehnen Sie sich nicht auf die Konsole.
- Berühren Sie die Anzeige nur mit Ihrer Fingerspitze. Vergewissern Sie sich, dass Ihre Nägel oder andere scharfe Gegenstände die Anzeige nicht berühren.



HINWEIS

- Die Konsole schaltet in den Standby-Modus, wenn das Gerät 4 Minuten lang nicht verwendet wird.

Erläuterung der Anzeigefunktionen

Zeit (Time)

- Ohne Einstellung des Zielwerts wird die Zeit summiert.
- Bei Einstellung eines Zielwerts wird die Zeit vom Zielwert aus auf 0 herabgezählt. Bei 0 ertönt ein Alarm oder erscheint ein Blinklicht.
- Wenn vier Sekunden lang ohne Training kein Signal auf den Monitor übertragen wird, wird die Zeit auf STOP geschaltet
- Anzeigebereich: 0:00~99:59
- Zielbereich: 0:00~99:00 (± 01:00)

Zeit/500 M (Time/ 500m)

Zeigt die benötigte Zeit für einen Trainingslauf von 500 m basierend auf der aktuellen Ruderintensität an.

Entfernung (Distance)

- Ohne Einstellung des Zielwerts wird die Distanz summiert.
- Bei Einstellung eines Zielwerts wird die Distanz vom Zielwert aus auf 0 herabgezählt. Bei 0 ertönt ein Alarm oder erscheint ein Blinklicht.
- Anzeigebereich 0~9999
- Zielbereich 10 ~ 9990 (± 10)

Kalorien (Calorie)

- Ohne Einstellung des Zielwerts werden die Kalorien summiert.
- Bei Einstellung des Zielwerts werden die Kalorien von Ihrem Zielwert aus auf 0 herabgezählt. Bei 0 ertönt ein Alarm oder erscheint ein Blinklicht.
- Anzeigebereich: 0~9990.
- Zielbereich 10 ~ 9990 (± 10)



HINWEIS

- Diese Daten sind ein grober Anhaltspunkt für den Vergleich verschiedener Trainingssitzungen. Sie können jedoch nicht für eine medizinische Behandlung verwendet werden

Puls (Pulse)

- Aktueller Puls wird nach sechs Sekunden angezeigt, wenn dieser von der Konsole erkannt wird.
- Wenn sechs Sekunden lang kein Puls-Signal vorhanden ist, zeigt die Konsole „P“ an.
- Der Pulsalarm ertönt, wenn der aktuelle Puls über dem Zielpuls liegt.
- Anzeigebereich: 0 ~ 230 BPM
- Zielbereich: 30 ~ 230 BPM (± 1)



SPM

- SPM sind Schläge pro Minute. Hier wird während des Trainings der Mittelwert der Schläge pro Minute angezeigt.
- Anzeigebereich: 0 ~ 999

Schläge (Strokes)

- Ohne Einstellung des Zielwerts werden die Schläge hochgezählt.
- Bei Einstellung des Zielwerts werden die Schläge von Ihrem Zielwert aus auf 0 herabgezählt. Bei 0 ertönt ein Alarm oder erscheint ein Blinklicht. (Während des Countdowns wird „Remaining“ (Verbleibend) angezeigt)
- Anzeigebereich: 0 ~ 9999
- Zielbereich: 10 ~ 9990 (± 10)

Schläge gesamt (Total strokes)

- Zeigt die Gesamtzahl der Schläge aller Trainingseinheiten an.
- Dieser Wert kann nicht zurückgesetzt werden, außer durch Auswechseln der Batterien.
- Anzeigebereich: 0 ~ 9999

Erläuterung der Schalter

Set

- Zum Auswählen von Funktionen auf SET drücken: MANUELL, INTERVALL, ZIEL
- Zur Erhöhung von Werten auf SET drücken. Zur schnelleren Erhöhung von Werten die Taste SET gedrückt halten.
- TIME Einstellungsbereich: 00:00~99:00 (±1:00)
- SCHLÄGE-Einstellbereich: 0~9990 (± 10)
- DIST-Einstellbereich: 0~9990 (± 10)
- KAL-Einstellbereich: 0~9990 (± 10)
- PULS-Einstellbereich: 30~230 (± 1)

Modus (Mode)

- Drücken Sie auf die Modustaste, um die Konsolenfunktionen auszuwählen.
- Drücken Sie im Betriebsmodus auf die Modustaste, um das Training zu stoppen/unterbrechen.
- Drücken Sie zur Auswahl des Trainingsmodus auf die Modustaste.

Reset

- Drücken Sie im Einstellungsmodus einmal auf die Taste RESET, um die aktuellen Funktionsdarstellungen zurückzusetzen.
- Drücken Sie im STOP-Modus einmal auf die Taste „RESET“, um den Trainingsmodus zurückzusetzen und zum Programmiermodus zurückzukehren.
- Drücken Sie auf die RESET-Taste und halten Sie sie zwei Sekunden lang gedrückt, um alle Funktionsdarstellungen zurückzusetzen und starten Sie die Konsole erneut.

Bedienung

Einschalten

- Drücken Sie auf eine beliebige Taste, wenn sich die Konsole im Ruhemodus befindet.
- Starten Sie mit dem Training, wenn sich die Konsole im Ruhemodus befindet.

Ausschalten

Wenn vier Sekunden lang ohne Training kein Signal auf den Monitor übertragen wird, wird dieser automatisch in den Ruhemodus geschaltet (SLEEP). (Aktive Trainingsdaten gehen verloren)



WARNUNG

- Es wird empfohlen, die Batterien zu entnehmen, wenn das Gerät über einen längeren Zeitraum nicht verwendet wird.

Programme

Manueller Modus

- Drücken Sie die Taste „Mode“, um den Programmauswahlmodus zu öffnen, wählen Sie „Manual“ mit der Taste „Set“ und bestätigen Sie mit der Taste „Mode“.

Intervallmodus

- Drücken Sie auf die Modustaste, um den Programmauswahlmodus zu öffnen, wählen Sie „Intervall“ mit der Taste „Set“ und bestätigen Sie mit der Taste „Mode“.
- Drücken Sie auf die Taste „Set“, um 10/20, 20/10 oder eine persönliche Einstellung auszuwählen und bestätigen Sie mit der Taste „Mode“.

10/20 ausgewählt.

- Die Konsole zeigt einen Countdown von 3 Sekunden an, bevor das Programm gestartet wird.
 - » Die Trainingszeit von 10 Sekunden wird auf 0 heruntergezählt.
 - » Die Ruhezeit von 20 Sekunden wird auf 0 heruntergezählt.
 - » Schritte 1 & 2 werden 8 Mal wiederholt.

20/10 ausgewählt.

- Die Konsole zeigt einen Countdown von 3 Sekunden an, bevor das Programm gestartet wird.

- » Die Trainingszeit von 20 Sekunden wird auf 0 heruntergezählt.
- » Die Ruhezeit von 10 Sekunden wird auf 0 heruntergezählt.
- » Schritte 1 & 2 werden 8 Mal wiederholt.

Persönliche Einstellung ausgewählt.

- SET ROUND blinkt, drücken Sie auf die Taste „Set“, um die Anzahl der Programmzyklen auszuwählen und bestätigen Sie dies mit „Enter“.
(Bereich 1 ~ 99 ± 1)
- SET WORK blinkt, drücken Sie auf die Taste „Set“, um die Trainingszeit einzustellen und bestätigen Sie dies mit „Enter“.
(Bereich: 0:05~10:00 Min. ± 0:01 Sek.)
- SET REST blinkt, drücken Sie auf die Taste „Set“, um die Ruhezeit einzustellen und bestätigen Sie dies mit „Enter“.
(Bereich: 0:05~10:00 Min. ± 0:01 Sek.)
- Die Konsole zeigt einen Countdown von 3 Sekunden an, bevor das Programm gestartet wird.
 - » Die voreingestellte Trainingszeit wird auf 0 heruntergezählt.
 - » Die voreingestellte Ruhezeit wird auf 0 heruntergezählt.
 - » Die Schritte 1 & 2 werden für die Anzahl der voreingestellten Zyklen durchlaufen.

Zielmodus

- Drücken Sie auf die Modustaste, um den Programmauswahlmodus zu öffnen, wählen Sie „TARGET“ mit der Taste „Set“ und bestätigen Sie mit der Taste „Mode“.

Zeitziel.

Zum Einstellen des Zeit-Zielwerts auf die Taste „Modus“ drücken.

Um des Zeitziel einzustellen auf die Taste „Einstellen“ drücken. (Ziel: 0:00~99:00 Min. ± 1:00 Min.)

Zielwert Schläge.

Zum Einstellen des Schläge-Zielwerts auf die Taste „Modus“ drücken.

Um die Zielschläge einzustellen auf die Taste „Einstellen“ drücken. (Ziel: 10~9990 Min. ± 10.)

Zielwert Puls

Zum Einstellen des Puls-Zielwerts auf die Taste „Modus“ drücken.

Um den Zielpuls einzustellen auf die Taste „Einstellen“ drücken. (Ziel: 30~230 Min. ± 1.)

Zielwert Kalorien.

Zum Einstellen des Kalorien-Zielwerts auf die Taste „Modus“ drücken.

Um des Kalorienziel einzustellen auf die Taste „Einstellen“ drücken. (Ziel: 10~9990 Min. ± 10.)

Zielwert Distanz.

Zum Einstellen des Distanz-Zielwerts auf die Taste „Modus“ drücken.

Um des Distanzziel einzustellen auf die Taste „Einstellen“ drücken. (Ziel: 10~9990 Min. ± 10.)

Wenn das gewünschte Ziel eingestellt ist, startet die Konsole das Training. Der Zielwert wird heruntergezählt, alle anderen Parameter werden hochgezählt.



HINWEIS

- Es kann nicht mehr als ein Ziel zu einer Zeit eingestellt werden.

Reinigung und Wartung



WARNUNG

- Verwenden Sie zur Reinigung des Geräts keine Lösungsmittel.
- Reinigen Sie das Gerät nach dem Gebrauch mit einem weichen aufnahmefähigen Lappen.
- Prüfen Sie regelmäßig, ob alle Schrauben und Muttern fest sind.
- Schmieren Sie die Gelenke, falls erforderlich.

Wasser ändert die Farbe und zieht flockig aus.

Mögliche Ursache:

Rudergerät steht in direkter Sonnenbestrahlung oder die Wasserbehandlung ist nicht durchgeführt.

Lösung:

- Ändere den Standort außerhalb direkter Sonneneinstrahlung.
- Behandle das Wasser wie beschrieben in "Tankfüllung und Wasserbehandlung".

Erneuerung der Batterien

Die Konsole hat hinten 2 AA-Batterien.

- Entfernen Sie die Abdeckung.
- Entfernen Sie die alten Batterien.
- Setzen Sie die neuen Batterien ein. Vergewissern Sie sich, dass die Batterien entsprechend den (+) und (-) Polaritätszeichen eingesetzt werden.
- Bringen Sie die Abdeckung an.

Sitzrollen werden laut (Abb E-2).

Wenn die Sitzrollen laut werden (quietschen), kann Tropfen Silikon-Schmiermittel auf den Walzenlauf aufgetragen werden, über den die Rollen während des Trainings laufen.



HINWEIS

- Bringen Sie nicht zu viel Schmiermittel an, da dies zu einem rutschigen Gefühl führen kann.

Störungen und Fehlfunktionen

Trotz ständiger Qualitätskontrolle können durch Einzelteile verursachte Störungen und Fehlfunktionen am Gerät auftreten. In den meisten Fällen ist es ausreichend, das defekte Teil zu erneuern.

- Falls das Gerät nicht ordnungsgemäß funktioniert, wenden Sie sich unverzüglich an den Händler.
- Nennen Sie dem Händler Modell- und Seriennummer des Geräts. Schildern Sie die Art des Problems, die Gebrauchsbedingungen und das Kaufdatum.

Fehlersuche:

- Wenn die LCD-Anzeige verdunkelt ist, sollten die Batterien ausgetauscht werden.
- Wenn Sie trainiert und kein Signal erfolgt, überprüfen Sie bitte, ob das Kabel richtig angeschlossen ist.



HINWEIS

- Der Hauptbildschirm wird vier Minuten nach einem Trainingstopp ausgeschaltet.
- Wenn der Computer ungewöhnliche Dinge anzeigt, legen Sie die Batterien bitte erneut ein und versuchen Sie es noch einmal.

Transport und Lagerung



WARNUNG

- Tragen und bewegen Sie das Gerät mit mindestens zwei Personen.
- Bewegen Sie das Gerät vorsichtig über unebene Böden. Bewegen Sie das Gerät nicht auf den Rädern Treppen herauf, sondern tragen Sie es an den Handgriffen.
- Lagern Sie das Gerät an einem trockenen Ort mit möglichst wenig Temperaturschwankungen.

Zusätzliche Informationen

Verpackungsentsorgung

Staatliche Vorschriften sagen, dass wir die in Deponien entsorgten Abfallmengen verringern sollen. Daher bitten wir Sie, den gesamten Verpackungsabfall an öffentlichen Recyclingstellen abzugeben

Entsorgung am ende der Lebensdauer

Wir bei Tunturi hoffen, dass Sie Ihren Fitnesstrainer viele Jahre mit Freude nutzen werden. Jedoch wird irgendwann die Zeit kommen, wenn die Ende der Nutzungsdauer des Fitnesstrainers erreicht ist. Gemäß den europäischen WEEE-Gesetzen sind Sie für eine geeignete Entsorgung des Fitnesstrainers bei einer anerkannten öffentlichen Entsorgungsstelle verantwortlich.

Technische Daten

Parameter	Maßeinheit	Wert
Länge	cm inch	228.0 89.8
Breite	cm inch	56.0 21,9
Körpergröße	cm inch	65.6 25,8
Gewicht	kg lbs	50.4 111,0
Max. Benutzergewicht	kg lbs	135 300
Batteriegröße		AA

Garantie

Eigentümer-garantie für Tunturi fitnessgeräte.

Garantiebedingungen

Der Käufer ist berechtigt die den Handel mit Konsumgütern betreffenden gesetzlichen Rechte gemäß der nationalen Gesetzgebung in Anwendung zu bringen. Diese Rechte werden durch die Garantie nicht eingeschränkt. Bedingungen zu ersetzen. Die Eigentümer-Garantie gilt nur dann, wenn das Gerät in einer für entsprechende Geräte der Tunturi New Fitness BV zugelassenen Anwendungsumgebung verwendet wird. Die für das Gerät zugelassene Anwendungsumgebung wird in der Bedienungsanleitung des Geräts genannt.

Garantiedauer

Die Garantie gilt ab Kaufdatum. Die Garantiedauer kann sich je nach Land unterscheiden. Bitte wenden Sie sich an Ihren zuständigen Händler, um die Garantiedauer zu erfahren.

Garantieumfang

Unter keinen Umständen haften die Tunturi New Fitness BV oder der Tunturi-Vertragshändler für dem Käufer möglicherweise zugefügte indirekte Schäden wie Gebrauchsbeeinträchtigung oder Einkommensverlust oder anderen wirtschaftlichen Folgeschäden.

Einschränkungen der garantie

Die Garantie deckt durch Herstellung oder Material hervorgerufene Fehler des Fitnessgeräts in dessen ursprünglicher Zusammensetzung. Unter Voraussetzung, dass die Aufbau-, Pflege- und Gebrauchsanweisungen von Tunturi befolgt wurden, erstreckt sich die Garantie auf solche Fehler, die bei normaler und einem dem Gerät beiliegenden Anleitungsbuch entsprechender Benutzung auftreten können. Die Tunturi New Fitness BV und der Tunturi-Vertragshändler haften nicht für Fehler, die durch Faktoren außerhalb ihrer Einflussmöglichkeiten hervorgerufen wurden. Die Garantie gilt nur für den ursprünglichen Eigentümer und nur in den Ländern, in denen es einen von der Tunturi New Fitness BV autorisierten Importeur gibt. Die Garantie gilt nicht für solche Fitnessgeräte oder Teile, an denen ohne Zustimmung der Tunturi New Fitness BV Veränderungen vorgenommen worden sind. Die Garantie betrifft auch nicht solche Schäden, die durch natürlichen Verschleiß, fehlerhaften Gebrauch, Benutzung unter für das Gerät nicht vorgesehenen Umständen, Korrosion, Verladung oder Transport hervorgerufen wurden.

Ersatzleistungen aufgrund von Geräuschen, die beim Einsatz des Geräts auftreten, sind von der Garantie ausgeschlossen, sofern diese Geräusche den Gebrauch des Geräts nicht wesentlich beeinträchtigen und nicht durch einen Gerätefehler bedingt sind.

Die Garantie beinhaltet keine Wartungsmaßnahmen, wie Reinigung, Schmieren oder normales Kontrollieren der Teile, auch nicht solche Aufbaumaßnahmen, die der Kunde selbst ausführen kann und die kein spezielles Auseinander- oder Zusammenbauen des Fitnessgeräts erfordern. Zu solchen Maßnahmen gehört beispielsweise das Austauschen von Cockpits, Pedalen oder anderer entsprechender einfacher Teile. Andere als die durch einen autorisierten Tunturi-Vertreter ausgeführten Garantieleistungen werden nicht ersetzt. Durch unsachgemäße, d.h. nicht der Bedienungsanleitung entsprechenden, Bedienung, verfällt jedweder Garantieanspruch.

Herstellereklärung

Tunturi New Fitness BV erklärt hiermit, dass das Produkt folgenden Normen und Richtlinien entspricht: EN 957 (HB), 89/336/EWG. Das Produkt trägt daher das CE-Kennzeichen.

05-2018

Tunturi New Fitness BV
Purmerweg 1
1311 XE Almere
The Netherlands

Haftungsausschluss

© 2018 Tunturi New Fitness BV
Alle Rechte vorbehalten.

Produkt und Handbuch können geändert werden.
Die technischen Daten können ohne Vorankündigung geändert werden.

Français

Ce manuel français est une traduction de la version anglaise. Notez que la version anglaise est en tête dans le contenu lorsque des différences sont trouvées.

Indice

Rameur	32
Avertissements de sécurité	32
Description (fig. A)	33
Contenu de l’emballage (fig. B & C)	33
Assemblage (fig. D)	33
Serrer les écrous et les boulons/vis	33
Réglage du niveau du réservoir d’eau	33
Remplir le réservoir d’eau (fig. E-3)	33
Retirer de l’eau de reservoir (fig. E-4)	34
Traitement de l’eau	34
Exercices	34
Instructions d’entraînement	34
Fréquence cardiaque	35
Usage	36
Réglage des pieds de support	36
Régler la résistance	36
Pour les pieds	36
Comment ramer	36
Console (fig. E)	37
Explication des fonctions à l’écran	37
Explication des boutons	38
Fonctionnement	38
Programmes	38
Mode manuel	38
Mode intervalle	38
Mode cible	39
Nettoyage et maintenance	39
L’eau change de couleur ou se trouble	39
Remplacement des piles	39
Les roulements du siège deviennent bruyants (Fig. E-2).	40
Défauts et dysfonctionnements	40
Transport et rangement	40
Informations supplémentaires	40
Données techniques	40
Garantie	41
Déclaration du fabricant	41
Limite de responsabilité	41

Rameur

Bienvenue dans l’univers de Tunturi Fitness !
 Merci pour votre achat de cet élément d’équipement Tunturi. Tunturi offre toute une gamme d’équipements de fitness professionnels, notamment des vélos elliptiques, tapis de course, vélos d’appartement, rameurs et accessoires. Les équipements Tunturi sont parfaits pour toute la famille, quel que soit le niveau de forme de ses membres. Pour en savoir plus, visitez notre site Web www.tunturi.com

Consignes de sécurité importantes

Lisez attentivement ce mode d’emploi avant d’assembler, d’utiliser ou d’effectuer l’entretien de votre appareil sportif. Veuillez conserver ce guide, il contient les renseignements dont vous aurez besoin, maintenant et plus tard, pour utiliser et entretenir votre appareil. Suivez toujours les instructions très rigoureusement.

Avertissements de sécurité



AVERTISSEMENT

- Lisez les avertissements de sécurité et les instructions. Le non respect des avertissements de sécurité et des instructions est une source de blessure et de dégâts de l’équipement. Conservez les avertissements de sécurité et les instructions pour référence ultérieure.



AVERTISSEMENT

- Les systèmes de suivi de la fréquence cardiaque peuvent être inexacts. Un exercice excessif peut entraîner des blessures graves voire mortelles. Si vous vous sentez défaillir, interrompez immédiatement l’exercice.
- L’équipement est uniquement adapté à un usage domestique. L’équipement ne convient pas à un usage commercial.
- La durée d’utilisation maximum est limitée à 3 heures par jour.
- L’emploi de cet équipement par des enfants ou des personnes affectés d’un handicap physique, sensoriel, mental ou moteur, voire dont l’expérience ou les connaissances s’avèrent insuffisantes est une source de risques. Les personnes chargées de leur sécurité doivent leur fournir des instructions explicites ou superviser leur usage de l’équipement.
- Avant de commencer vos exercices, effectuez un bilan de santé auprès d’un médecin.
- Si vous êtes pris de nausées ou de vertiges ou sentez d’autres symptômes normaux pendant l’entraînement, interrompez immédiatement la session et consultez votre médecin.

- Afin d'éviter toutes douleurs et tensions musculaires, commencez vos séances par des échauffements et terminez-les par une récupération. N'oubliez pas de vous étirer après vos exercices.
- L'équipement est uniquement adapté à un usage intérieur. L'équipement ne convient pas à un usage extérieur.
- Utilisez l'équipement uniquement dans des environnements correctement ventilés. N'utilisez pas l'équipement dans des endroits exposés aux courants d'air afin de ne pas vous enrhumers.
- Utilisez l'équipement uniquement à une température ambiante entre 10 °C et 35 °C. Rangez l'équipement uniquement à une température ambiante entre 5 °C et 45 °C.
- N'utilisez et ne rangez pas l'équipement dans un environnement humide. L'humidité de l'air ne doit jamais dépasser 80 %.
- Utilisez l'équipement uniquement pour son usage prévu. N'utilisez pas l'équipement pour d'autres usages que ceux décrits dans le manuel.
- N'utilisez pas l'équipement si l'une de ses pièces est endommagée ou défectueuse. Si une pièce est endommagée ou défectueuse, contactez votre revendeur.
- Maintenez vos mains, vos pieds et les autres parties de votre corps à l'écart des pièces mobiles.
- Maintenez votre chevelure à l'écart des pièces mobiles.
- Portez des vêtements et des chaussures adaptés.
- Maintenez les vêtements, bijoux et autres objets à l'écart des pièces mobiles.
- Assurez-vous qu'une seule personne utilise l'équipement à la fois. L'équipement ne doit pas être utilisé par des personnes pesant plus de 135 kg (300 lbs).
- N'ouvrez pas l'équipement sans consulter votre revendeur.

Description (fig. A)

Votre rameur est un élément d'équipement de fitness stationnaire servant à simuler le mouvement de ramer sans exercer de pression excessive sur les jointures.

Contenu de l'emballage (fig. B & C)

- L'emballage contient les pièces illustrées en fig. B.
- L'emballage contient les fixations illustrées en fig. C. Voir la section "Description".



NOTE

- Si une pièce manque, contactez votre revendeur.

Assemblage (fig. D)



AVERTISSEMENT

- Assemblez l'équipement dans l'ordre indiqué.
- Deux personnes au moins sont nécessaires pour transporter et déplacer l'équipement.

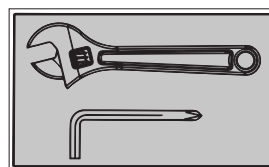


PRÉCAUTION

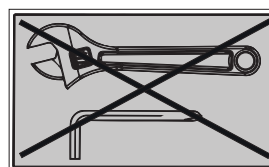
- Placez l'équipement sur une surface plane et ferme.
- Placez l'équipement sur une base protectrice pour éviter d'endommager la surface du sol.
- Prévoyez un dégagement d'au moins 100 cm autour de l'équipement.

- Consultez les illustrations pour l'assemblage correct de l'équipement.

Serrer les écrous et les boulons/vis



Serrez fermement tous les écrous et vis après que tous les composants aient été assemblés au cours des étapes actuelles et précédentes.



Ne pas serrer les écrous et les vis/boulons à cette étape.



NOTE

- Conservez les outils livrés avec ce produit après son montage, pour d'éventuels entretiens.

Réglage du niveau du réservoir d'eau

Remplir le réservoir d'eau (fig. E-3)

- Retirer le bouchon en caoutchouc situé sur le dessus du réservoir.
- Mettre un grand seau d'eau à côté du rameur et positionner le siphon avec le tuyau rigide dans le seau et le tuyau flexible dans le réservoir, comme illustré. Vérifier que la petite soupape respiratoire sur le dessus du siphon est bien fermée avant de verser de l'eau.



NOTE

- Pour remplir le réservoir au maximum, 17 litres d'eau sont nécessaires.
- Si l'eau est de mauvaise qualité, il est recommandé d'utiliser de l'eau distillée.
- Mettre le seau plus haut que le réservoir permettra au siphon de pomper automatiquement en ajoutant de l'eau dans le réservoir.
- Penser à utiliser une serviette sous le seau et le réservoir d'eau pour éviter de mouiller le sol.



AVERTISSEMENT

- Remplir le niveau d'eau au-dessus du niveau maximum peut entraîner des fuites d'eau pendant l'entraînement.
- Commencer par remplir le réservoir en appuyant sur le siphon. Utiliser le repère de niveau situé sur le côté du réservoir pour mesurer le volume d'eau versé.
 - Après avoir rempli le réservoir au niveau souhaité, ouvrir la soupape située sur le dessus du siphon pour que le trop-plein d'eau se vide.
 - Vérifier que le bouchon du réservoir est bien remis en place après avoir terminé les opérations de remplissage et de traitement d'eau.

Retirer de l'eau de reservoir (fig. E-4)

- Retirer le bouchon du réservoir.
- Insérer le tuyau rigide du siphon dans le réservoir.
- Insérer le tuyau flexible du siphon dans un grand seau.
- Vider le réservoir (environ 20 % de l'eau restera dans le réservoir. Le réservoir ne peut être vidé complètement sans être démonté).
- Remplir le réservoir en suivant les instructions fournies dans la section « Remplir le réservoir » de ce manuel.



NOTE

- La soupape sur le dessus du siphon doit être fermée pour que la vidange se fasse correctement.
- Si un programme de traitement de l'eau est mis en place, il ne sera pas nécessaire de changer l'eau dans le réservoir. Une tablette de traitement de l'eau supplémentaire n'est nécessaire qu'en cas de décoloration de l'eau.
- L'exposition à la lumière du soleil trouble l'eau. Installer le rameur dans un endroit éloigné de la lumière directe du soleil permettra d'espacer la fréquence des traitements.

Traitement de l'eau

- Mettre une tablette de traitement de l'eau.
- Mettre une tablette de traitement de l'eau à chaque fois que l'eau est sale ou trouble au fil du temps.



AVERTISSEMENT

- N'utiliser que les tablettes de traitement de l'eau fournies par Tunturi.

Exercices

Un exercice doit être suffisamment léger mais prolongé. L'exercice aérobic repose sur l'amélioration de l'absorption maximum d'oxygène par le corps, améliorant à son tour l'endurance et la forme. Vous devez transpirer mais sans jamais être à bout de souffle durant l'exercice.

Pour atteindre et entretenir un niveau de forme basique, exercez-vous au moins 3 fois par semaine, par session de 30 minutes. Accroissez le nombre des sessions d'exercice pour améliorer votre niveau de forme. Il est profitable de combiner un exercice régulier et un régime sain. Une personne suivant un régime doit s'exercer au quotidien, au début 30 minutes ou moins pour chaque session afin d'accroître ensuite progressivement le temps d'exercice quotidien pour atteindre une heure. Commencez vos exercices à une vitesse lente et avec une faible résistance pour éviter de soumettre le système cardiovasculaire à une contrainte excessive. À mesure de l'amélioration de votre forme, accroissez progressivement la vitesse et la résistance. L'efficacité de votre exercice est mesurable en suivant votre fréquence cardiaque et votre pouls.

Instructions d'entraînement

L'utilisation de votre appareil de fitness vous procurera plusieurs avantages : il vous permettra d'améliorer votre forme physique, de tonifier vos muscles et, associé à un régime hypocalorique, de perdre du poids.

Phase d'échauffement

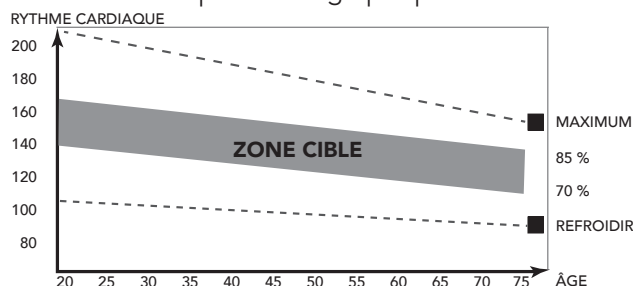
Cette étape favorise la circulation du sang dans tout le corps et le bon fonctionnement des muscles. Elle réduit également le

risque de crampes et de lésions musculaires. Il est conseillé de faire quelques exercices d'étirement, comme ceux qui sont indiqués ci-dessous. Chaque étirement doit être maintenu pendant environ 30 secondes. Ne forcez pas ou n'étirez pas excessivement un muscle.

Si vous sentez qu'une position vous fait mal, ARRÊTEZ.

Phase d'exercice

C'est l'étape principale de votre entraînement. Après une utilisation régulière de l'appareil, vous sentirez que les muscles de vos jambes ont gagné en souplesse. Il est très important de maintenir un rythme régulier tout au long de la séance. Le rythme de travail doit être suffisant pour faire monter votre rythme cardiaque dans la zone cible indiquée sur le graphique ci-dessous.



Cette étape doit durer au moins 12 minutes, bien que l'on commence généralement à environ 15-20 minutes.

Phase de refroidissement

Cette étape a pour objectif de laisser votre système cardiovasculaire et vos muscles reprendre leur rythme normal. Il s'agit d'une répétition de l'exercice d'échauffement. Baissez le rythme et continuez pendant environ 5 minutes. Vous devez ensuite refaire les exercices d'étirement et souvenez-vous de ne pas forcer ou trop étirer un muscle dans une certaine position.

À mesure que vous améliorerez votre forme, vous ressentirez peut-être le besoin de vous entraîner plus longtemps ou de faire des entraînements plus poussés. Il est conseillé de s'entraîner au moins trois fois par semaine et, si possible, d'espacer les séances régulièrement tout au long de la semaine.

Tonification musculaire

Pour tonifier vos muscles à l'aide de l'appareil de fitness, vous devrez sélectionner une résistance assez élevée. Les muscles de vos jambes seront davantage sollicités et vous ne pourrez peut-être pas vous entraîner aussi longtemps que vous le voudriez. Si vous souhaitez également améliorer votre forme, vous devrez modifier votre programme d'entraînement. Entraînez-vous normalement pendant les phases d'échauffement et de refroidissement, mais vers la fin de l'exercice, augmentez la résistance en faisant travailler vos jambes davantage. Vous devrez réduire la vitesse pour maintenir votre rythme cardiaque dans la zone cible.

Perte de poids

Ici, le facteur important est l'effort que vous déployez. Plus vous entraînez longtemps et de manière soutenue, plus vous brûlerez de calories. C'est en réalité le même principe que pour l'entraînement d'amélioration de la forme ; la différence est l'objectif recherché.

Fréquence cardiaque

Mesure de la fréquence cardiaque (sangle thoracique de fréquence cardiaque)

La sangle thoracique de fréquence cardiaque assure la mesure de fréquence cardiaque la plus précise. La fréquence cardiaque est mesurée par un récepteur combiné à la sangle thoracique de fréquence cardiaque. Une mesure précise de la fréquence cardiaque nécessite des électrodes de sangle émettrice légèrement humides et en contact constant avec la peau. Si les électrodes sont trop sèches ou humides, la mesure de la fréquence cardiaque peut devenir moins précise.



AVERTISSEMENT

- Si vous portez un stimulateur cardiaque, consultez votre médecin avant d'utiliser une sangle thoracique de fréquence cardiaque.



PRÉCAUTION

- Si plusieurs dispositifs de mesure de la fréquence cardiaque sont proches les uns des autres, assurez-vous qu'ils sont au moins distants de 2 mètres.
- En présence d'un récepteur unique de fréquence cardiaque pour plusieurs émetteurs, assurez-vous qu'une seule personne avec un émetteur est à portée de transmission.



NOTE

- Portez toujours la sangle thoracique de fréquence cardiaque sous vos vêtements, en contact direct avec votre peau. Ne portez pas votre sangle thoracique de fréquence cardiaque par-dessus vos vêtements. Si vous portez la sangle thoracique de fréquence cardiaque sur vos vêtements, il n'y a pas de signal.
- Si vous réglez une fréquence cardiaque limite pour votre exercice, une alarme retentit dès qu'elle est dépassée.
- L'émetteur transmet la fréquence cardiaque à une console jusqu'à une distance de 1,5 mètre. Si les électrodes ne sont pas suffisamment mouillées, votre fréquence cardiaque ne s'affiche pas.
- Certaines fibres des vêtements (par ex. polyester, polyamide) créent de l'électricité statique qui peut empêcher la mesure précise de la fréquence cardiaque.
- Les téléphones portables, télévisions et autres appareils électriques créent un champ électromagnétique susceptible d'empêcher une mesure précise de la fréquence cardiaque.

Fréquence cardiaque maximum (durant l'exercice)

La fréquence cardiaque maximum est la fréquence la plus élevée qu'une personne peut atteindre en toute sécurité sous la contrainte de l'exercice. La formule suivante sert à calculer la fréquence cardiaque maximum moyenne : $220 - \text{ÂGE}$ La fréquence cardiaque maximum varie d'une personne à l'autre.



AVERTISSEMENT

- Assurez-vous de ne pas dépasser votre fréquence cardiaque maximum durant l'exercice. Si vous appartenez à un groupe à risque, consultez un médecin.

Débutant 50-60% de fréquence cardiaque maximum

Adapté aux débutants, aux personnes suivant leur poids, aux convalescents et aux personnes ne s'exerçant pas depuis un certain temps. Exercez-vous au moins trois fois par semaine, par session de 30 minutes.

Avancé 60-70% de fréquence cardiaque maximum

Adapté aux personnes souhaitant améliorer et entretenir leur forme. Exercez-vous au moins trois fois par semaine, par session de 30 minutes.

Expert 70-80% de fréquence cardiaque maximum

Adapté aux personnes les plus en forme, habituées aux exercices d'endurance prolongés.

Usage

Réglage des pieds de support

L'équipement comporte 2 pieds de support. Si l'équipement est instable, vous pouvez régler les pieds de support.

- Tournez les pieds de support, selon les besoins, pour placer l'équipement en position stable.
- Serrez les écrous d'arrêt pour bloquer les pieds de support.



NOTE

- La stabilité de la machine est maximisée lorsque tous les pieds de support sont complètement tournés vers l'intérieur. Vous devez donc commencer à mettre la machine de niveau en tournant tous les pieds de support vers l'intérieur avant de sortir les pieds de support requis pour stabiliser la machine.

Régler la résistance

Pour augmenter ou diminuer la résistance, réglez le niveau de l'eau.

- Plus il y a d'eau, plus la résistance augmente.
- Moins il y a d'eau, plus la résistance diminue.

La graduation sur le réservoir d'eau vous aide à trouver et régler une résistance adéquate.

Pour les pieds

- Soulever le haut de la partie coulissante du support pour les pieds et glissez-le vers le haut ou vers le bas. Des symboles A ~ F constituent un repère permettant de déterminer la longueur adaptée.
- Fixer le support sur les goupilles de montage et appuyer fort pour le verrouiller dans sa position.

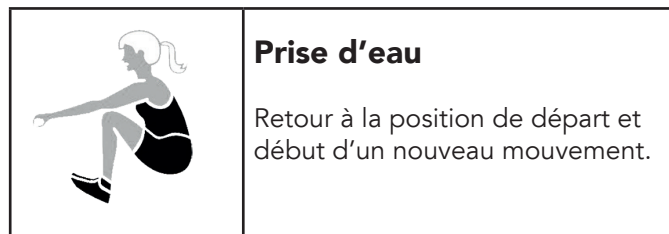


AVERTISSEMENT

- Ne jamais utiliser ce rameur sans avoir mis les pieds correctement dans les sangles pour les pieds ou si la partie coulissante du support pour les pieds n'est pas verrouillée en position.

Comment ramer

	<p>Prise d'eau</p> <p>Confortablement en avant avec le dos et les bras droits.</p>
	<p>Attaque</p> <p>Poussez avec les jambes en laissant les bras droits.</p>
	<p>Dégagé</p> <p>Tirer avec les bras et les jambes tout en basculant légèrement vers l'arrière sur le bassin.</p>
	<p>Retour sur l'avant</p> <p>Le haut du corps bascule vers l'avant au-dessus du bassin et se déplace vers l'avant.</p>



Prise d'eau

Retour à la position de départ et début d'un nouveau mouvement.

Prise d'eau - Attaque

Commencez le mouvement confortablement installé en position avant et poussez fortement vers l'arrière avec les jambes tout en maintenant les bras et le dos droit.

Dégagé

Ramenez les bras vers le torse en passant au dessus des genoux et continuez le mouvement jusqu'à la fin en basculant légèrement en arrière sur le bassin.

Retour sur l'avant - Prise d'eau

Revenez à la position de départ et recommencez.



PRÉCAUTION

- Consultez toujours un médecin avant de commencer un programme d'exercice.
- Arrêtez immédiatement en cas de sensation d'évanouissement ou d'étourdissement.

Console (fig. E)



PRÉCAUTION

- Maintenez la console à l'écart de la lumière directe du soleil.
- Séchez la surface de la console dès qu'elle est couverte de gouttes de sueur.
- Ne vous appuyez pas sur la console.
- Touchez l'affichage uniquement avec le bout du doigt. Assurez-vous de ne pas toucher l'affichage avec vos ongles ou des objets coupants.



NOTE

- La console passe en mode de veille si l'équipement n'est pas utilisé pendant 4 minutes.

Explication des fonctions à l'écran

Durée (Time)

- Sans définir la valeur cible, la durée augmentera.
- Lorsque vous définissez la valeur cible, la durée sera décomptée à partir de votre durée cible jusqu'à 0 et l'alarme retentira ou clignotera.
- Si aucun signal n'est transmis au moniteur pendant 4 secondes pendant l'entraînement, le temps S'ARRÊTERA.

- Plage d'affichage : 0:00~99:59
- Plage cible : 0:00~99:00 (± 01:00)

Durée/500 M (Time/ 500m)

Affiche le temps requis pour parcourir 500 m en fonction de l'intensité actuelle du rameur.

Distance

- Sans définir la valeur cible, la distance augmentera.
- Lorsque vous définissez la valeur cible, la distance sera décomptée à partir de votre distance cible jusqu'à 0 et l'alarme retentira ou clignotera.
- Plage d'affichage 0/9999
- Plage cible 10 ~ 9990 (± 10)

Calorie

- Sans définir la valeur cible, les calories augmenteront.
- Lorsque vous définissez la valeur cible, les calories seront décomptées à partir de vos calories cibles jusqu'à 0 et l'alarme retentira ou clignotera.
- Plage d'affichage : 0~9990.
- Plage cible 10 ~ 9990 (± 10)



REMARQUE

- Ces données sont fournies à titre indicatif pour comparer entre différentes séances d'entraînement ; elles ne doivent pas être utilisées dans le cadre d'un traitement médical.

Pouls (Pulse)

- Le pouls actuel s'affiche après 6 secondes de la détection par la console.
- Sans aucun signal de pouls pendant 6 secondes, la console affichera « P ».
- L'alarme du pouls retentira lorsque le pouls actuel se trouve au-dessus du pouls cible.
- Plage d'affichage : 0 ~ 230 BPM
- Plage cible : 30 ~ 230 BPM (± 1)

Produits et marchés spéciaux

- SPM est le nombre de mouvements par minute, et indique la moyenne des mouvements par minute pendant l'entraînement.
- Plage d'affichage : 0 ~ 999

Mouvements (Strokes)

- Sans définir la valeur cible, les mouvements augmenteront.
- Lorsque vous définissez la valeur cible, les mouvements seront décomptés à partir de vos mouvements cibles jusqu'à 0 et l'alarme retentira ou clignotera. (Pendant le décompte, « Restant » est affiché)
- Plage d'affichage : 0 ~ 9999
- Plage cible : 10 ~ 9990 (± 10)

Mouvements totaux (Total strokes)

- Affichera les mouvements totaux de tous les entraînements.
- Cette valeur ne peut être réinitialisée qu'en changeant les piles.
- Plage d'affichage : 0 ~ 9999

Explication des boutons

Réglage (Set)

- Appuyez sur le bouton RÉGLAGE pour sélectionner des fonctions :
MANUEL, INTERVALLE, CIBLE
- Appuyez sur le bouton RÉGLAGE pour augmenter la valeur. Appuyez sur le bouton et maintenez-le enfoncé pour augmenter la valeur plus rapidement.
- Plage de réglage DURÉE : 00:00~99:00 (±1:00)
- Plage de réglage MOUVEMENTS : 0~9990 (± 10)
- Plage de réglage DIST : 0~9990 (± 10)
- Plage de réglage CAL : 0~9990 (± 10)
- Plage de réglage POULS : 30~ 230 (± 1)

Mode

- Appuyez sur le bouton Mode pour sélectionner des fonctions de la console.
- En mode de fonctionnement, appuyez sur Mode pour Arrêter/Suspendre l'entraînement.
- En mode Stop, appuyez sur le bouton Mode pour reprendre l'entraînement.

Réinitialiser (Reset)

- En mode réglage, appuyez sur la touche « RÉINITIALISER » pour réinitialiser toutes les données actuelles des fonctions.
- En mode STOP, appuyez une fois sur le bouton « RÉINITIALISER » pour réinitialiser le mode d'entraînement et revenir au mode de programmation.
- Maintenez le bouton « RÉINITIALISER » enfoncé pendant 2 secondes pour réinitialiser tous les chiffres des fonctions et redémarrer la console.

Fonctionnement

Marche

- Appuyez sur un bouton pour mettre en marche la console en mode veille.
- Commencez votre entraînement pour mettre en marche la console en mode veille.

Mettre hors tension

Le moniteur passe automatiquement en mode VEILLE si aucun signal n'est transmis au moniteur pendant 4 minutes. (Les données d'entraînement actives seront perdues)



AVERTISSEMENT

- Si vous n'utilisez pas l'équipement pendant une longue période, nous vous recommandons de retirer les piles de la console.

Programmes

Mode manuel

- Appuyez sur le bouton « Mode » pour ouvrir le mode de sélection de programmes, sélectionnez « Manuel » à l'aide du bouton « Réglage » et confirmez votre choix en appuyant « Mode ».

Mode intervalle

- Appuyez sur le bouton « Mode » pour ouvrir le mode de sélection de programmes, sélectionnez « Intervalle » à l'aide du bouton « Réglage » et confirmez votre choix en appuyant « Mode ».
- Appuyez sur le bouton « Réglage » pour sélectionner 10/20, 20/10 ou le mode personnalisé et confirmez votre choix en appuyant sur « Mode ».

10/20 sélectionné.

- La console affichera un compte à rebours de 3 secondes pour commencer le programme.
 - » La durée d'entraînement de 10 secondes sera décomptée jusqu'à 0.
 - » La durée de repos de 20 secondes sera décomptée jusqu'à 0.
 - » Les étapes 1 et 2 se répéteront 8 fois.

20/10 sélectionné.

- La console affichera un compte à rebours de 3 secondes pour commencer le programme.
 - » La durée d'entraînement de 20 secondes sera décomptée jusqu'à 0.
 - » La durée de repos de 10 secondes sera décomptée jusqu'à 0.
 - » Les étapes 1 et 2 se répéteront 8 fois.

Personnalisé sélectionné.

- RÉGLAGE SÉRIE clignotera, appuyez sur le bouton « Réglage » pour sélectionner le nombre de séries du programme et confirmez votre choix en appuyez sur « Entrée ». (Plage 1 ~ 99 ± 1)
- RÉGLAGE ENTR clignotera, appuyez sur le bouton « Réglage » pour définir la durée de l'entraînement et confirmez votre choix en appuyant sur « Entrée » (Plage : 0:05~10:00 min. ± 0:01 sec.)

- RÉGLAGE REPOS clignotera, appuyez sur le bouton « Réglage » pour définir la durée de repos et confirmez votre choix en appuyant sur « Entrée » (Plage : 0:05~10:00 min. ± 0:01 sec.)
- La console affichera un compte à rebours de 3 secondes pour commencer le programme.
 - » La durée d'entraînement préréglée sera décomptée jusqu'à 0.
 - » La durée de repos préréglée sera décomptée jusqu'à 0.
 - » Les étapes 1 et 2 se répéteront selon le nombre de séries préréglées.

Mode cible

- Appuyez sur le bouton « Mode » pour ouvrir le mode de sélection de programmes, sélectionnez « CIBLE » à l'aide du bouton « Réglage » et confirmez votre choix en appuyant « Mode ».

Durée cible.

Pour définir une Durée cible, appuyez sur le bouton « Mode ».

Définissez une durée cible en appuyant sur le bouton « Réglage ». (Cible : 0:00~99:00 min. ± 1:00 min.)

Mouvements cibles.

Pour définir des Mouvements cibles, appuyez sur le bouton « Mode ».

Définissez des mouvements cibles en appuyant sur le bouton « Réglage ». (Cible : 10~9990 min. ± 10.)

Pouls cible.

Pour définir un Pouls cible, appuyez sur le bouton « Mode ».

Définissez un pouls cible en appuyant sur le bouton « Réglage ». (Cible : 30~230 min. ± 1.)

Calories cibles.

Pour définir des Calories cibles, appuyez sur le bouton « Mode ».

Définissez des calories cibles en appuyant sur le bouton « Réglage ». (Cible : 10~9990 min. ± 10.)

Distance cible.

Pour définir une Distance cible, appuyez sur le bouton « Mode ».

Définissez une distance cible en appuyant sur le bouton « Réglage ». (Cible : 10~9990 min. ± 10.)

Lorsque la cible souhaitée est définie, la console démarrera l'entraînement. La valeur cible sera décomptée, tous les autres paramètres augmenteront.



REMARQUE

- Il est impossible de définir plus d'un objectif.

Nettoyage et maintenance



AVERTISSEMENT

- N'utilisez aucun solvant pour nettoyer l'équipement.
- Nettoyez l'équipement avec un chiffon doux et absorbant après chaque usage.
- Vérifiez régulièrement le serrage de tous les écrous et vis.
- Si nécessaire, lubrifiez les joints.

L'eau change de couleur ou se trouble

Cause possible :

Le rameur est exposé à la lumière directe du soleil ou n'a été traité.

Solution :

- Changer l'emplacement du rameur pour réduire l'exposition directe à la lumière du soleil.
- Traiter l'eau ou changer l'eau du réservoir selon les instructions de la section de traitement de l'eau de ce manuel.

Remplacement des piles

La console comporte 2 piles AA sur sa partie arrière.

- Retirez le cache.
- Retirez les piles usagées.
- Insérez les nouvelles piles. Assurez-vous de respecter les indications de polarité (+) et (-). Montez le cache.

Les roulements du siège deviennent bruyants (Fig. E-2).

Lorsque les roulements du siège produisent un bruit (grincement), il est recommandé d'appliquer une goutte de lubrifiant à base de silicone sur la bande de roulement où les roulements se déplacent pendant l'entraînement.



REMARQUE

- N'appliquez pas trop de lubrifiant, cela risque de provoquer une sensation de glissement.

Défauts et dysfonctionnements

Malgré un contrôle continu de la qualité, des défauts ou des dysfonctionnements peuvent être occasionnés par des composants individuels. La plupart du temps, il vous suffit de remplacer la pièce défectueuse.

- Si l'équipement ne fonctionne pas correctement, contactez immédiatement le revendeur.
- Fournissez le numéro de modèle et le numéro de série de l'équipement au revendeur. Mentionnez la nature du problème, les conditions d'usage et la date d'achat.

Résolution des pannes :

- Les piles doivent être changées lorsque l'affichage LCD devient sombre. Vérifier que le câble est bien branché s'il n'y a aucun signal lorsque vous rincez.



NOTE

- L'écran principal s'éteindra si l'entraînement est à l'arrêt pendant 4 minutes.
- Si l'affichage de l'ordinateur n'est pas normal, veuillez réinstaller les piles et réessayer.

Transport et rangement



AVERTISSEMENT

- Deux personnes au moins sont nécessaires pour transporter et déplacer l'équipement.
- Déplacez prudemment l'équipement sur les surfaces irrégulières. Ne déplacez pas l'équipement sur ses roues pour monter des escaliers mais transportez-le par les guidons.
- Rangez l'équipement dans un endroit sec exposé à des variations de température minimales.

Informations supplémentaires

Élimination des emballages

Les réglementations gouvernementales nous demandent de réduire la quantité de matériaux déposés dans les décharges. C'est pour cela que nous faisons appel à votre responsabilité et vous demandons de déposer les emballages dans des centres de recyclage publics.

Élimination du produit

Chez Tunturi, nous espérons que vous profiterez longtemps de votre appareil de fitness. Cependant, nous savons bien qu'un jour ou l'autre votre machine arrivera au terme de sa vie utile. Selon la directive européenne sur les DEEE, vous êtes responsable de vous séparer correctement de votre appareil de fitness en le déposant dans un site public agréé de récupération des déchets.

Données techniques

Paramètre	Unité de mesure	Valeur
Longueur	cm	228.0
	inch	89.8
Largeur	cm	56.0
	inch	21,9
Hauteur	cm	65.6
	inch	25,8
Poids	kg	50.4
	lbs	111,0
Poids maxi. utilisateur	kg	135
	lbs	300
Taille de pile		AA

Garantie

Garantie du propriétaire d'un équipement de Tunturi

Conditions de garantie

Le consommateur dispose des droits légaux accordés par la législation nationale applicable au commerce des produits de consommation courante et cette garantie ne limite ces droits en aucun cas. La « Garantie du propriétaire » est valable uniquement si l'équipement est utilisé dans l'environnement correspondant à celui déterminé par Tunturi New Fitness BV. L'environnement d'utilisation de chaque appareil est mentionné dans le mode d'emploi fourni avec l'appareil en question.

Conditions de garantie

Les conditions de garantie sont applicables à compter de la date d'achat et peuvent varier selon les pays. Demandez conseil à votre revendeur.

Étendue de la garantie

En aucun cas Tunturi New Fitness BV, le revendeur ou le distributeur Tunturi ne répondra des éventuels dommages spéciaux, indirects, secondaires ou consécutifs, de quelque nature que ce soit, liés à l'utilisation de ou à l'inaptitude à utiliser cet équipement.

Restrictions de garantie

La garantie couvre les défauts de fabrication et de matériaux dans un équipement d'origine, sorti d'usine et conditionné par Tunturi New Fitness BV. La garantie couvre uniquement les défauts apparaissant lors d'une utilisation normale et conforme aux instructions du manuel du propriétaire, à condition que les instructions de montage, de maintenance et d'utilisation établies par Tunturi New Fitness BV aient été respectées. Tunturi New Fitness BV et les revendeurs Tunturi ne répondent pas des défauts occasionnés par des conditions indépendantes de leur volonté. La garantie est applicable uniquement au premier acheteur et est valable uniquement dans les pays où Tunturi New Fitness BV dispose d'un distributeur agréé. La garantie ne s'étend pas aux équipements de fitness ou aux pièces qui ont été modifiées sans l'autorisation de Tunturi New Fitness BV. La garantie ne s'applique pas aux défauts provenant d'une usure normale, d'une utilisation inadaptée, d'une utilisation dans des conditions non prévues par le fabricant, de la corrosion ou d'un dommage intervenu lors du chargement ou du transport.

La garantie ne couvre pas les sons ou les bruits émis par l'équipement s'ils ne gênent pas son utilisation et s'ils ne sont pas provoqués par un dysfonctionnement.

La garantie ne couvre pas non plus les mesures de maintenance, telles que le nettoyage, la lubrification ou la vérification normale des pièces, ni les actions que le client peut effectuer lui-même et qui n'exigent pas particulièrement de monter/ démonter l'équipement. Ces actions sont par exemple le changement des compteurs, des pédales ou autres pièces similaires faciles à changer. Seules les réparations sous garantie effectuées par un revendeur ou par le distributeur agréé Tunturi seront prises en charge. Le non-respect des instructions décrites dans le Manuel de l'Utilisateur entraînera l'annulation de la garantie.

Déclaration du fabricant

Tunturi Fitness BV déclare que le produit est conforme aux directives et normes suivantes : EN 957 (HB), 89/336/CEE. Ce produit porte donc la marque CE.

05-2018

Tunturi New Fitness BV
Purmerweg 1
1311 XE Almere
Pays-Bas

Limite de responsabilité

© 2018 Tunturi New Fitness BV

Tous les droits réservés.

Le produit et le manuel sont sujets à modifications. Les spécifications peuvent changer sans préavis.

Nederlands

Deze Nederlandse handleiding is een vertaling van de Engelse tekst. Aan deze vertaling kunnen geen rechten ontleend worden. De originele Engelse tekst blijft leidend.

Inhoud

Roeitrainer.....	42
Veiligheidswaarschuwingen.....	42
Beschrijving (fig. A)	43
Inhoud van de verpakking (fig. B&C)	43
Assemblage (fig. D)	43
Bouten en moeren aandraaien	43
Het waterniveau van de tank aanpassen.....	44
De tank vullen met water (fig. E-3)	44
Water uit de tank verwijderen (fig. E-4)	44
Het water zuiveren	44
Trainingen	44
Instructies	45
hartslag..	45
Gebruik.....	46
Afstellen van de steunvoeten	46
Weerstand aanpassen	46
Voetplaten afstellen	46
Hoe te roeien	46
Console (fig. E)	47
Uitleg van de displayfuncties	47
Uitleg van de knoppen	48
Bediening	48
Programma's.....	48
Handmatige modus	48
Intervalmodus	48
Doelmodus	49
Reiniging en onderhoud	49
Het water is verkleurd of is troebel.	49
Vervangen van de batterijen	49
De zitrollen beginnen geluid te maken (Fig. E-2).	49
Defecten en storingen.....	49
Transport en opslag	50
Aanvullende informatie	50
Technische gegevens	50
Garantie	50
Verklaring van de fabrikant.....	51
Disclaimer	51

Roeitrainer

Welkom in de wereld van Tunturi Fitness!
Hartelijk dank voor uw aankoop van dit Tunturi-toestel. Tunturi biedt een grote verscheidenheid aan professionele toestellen zoals crosstrainers, loopbanden, fietstrainers, roeimachines en accessoires. Het Tunturi-toestel is geschikt voor de hele familie, onafhankelijk van de conditie. Meer informatie vindt u op de website www.tunturi.com

Belangrijke Informatie

Deze gids is een essentieel onderdeel van uw Tunturi looptrainer. Lees deze gids zorgvuldig door vóórdat u begint met monteren, gebruiken of onderhouden van uw looptrainer. Bewaar de gids op een handige plaats. U kunt er, nu en in de toekomst, nuttige informatie uithalen die u nodig heeft voor het gebruik en het onderhoud van de apparatuur. Volg de instructies altijd met zorg op.

Veiligheidswaarschuwingen



WAARSCHUWING

- Lees de veiligheid-waarschuwingen en de instructies. Het niet opvolgen van de veiligheid-waarschuwingen en de instructies kan persoonlijk letsel of beschadiging van het toestel veroorzaken. Bewaar de veiligheid-waarschuwingen en instructies voor toekomstig gebruik.



WAARSCHUWING

- Hartslag-bewakingssystemen kunnen onnauwkeurig zijn. Overmatig trainen kan leiden tot ernstig letsel of de dood. Als u zich duizelig voelt, stop dan onmiddellijk met trainen.
- Het toestel is uitsluitend geschikt voor huishoudelijk gebruik. Het toestel is niet geschikt voor commercieel gebruik.
- Het maximum gebruik is beperkt tot 3 uur per dag
- Het gebruik van dit toestel door kinderen of personen met fysieke, sensorische, geestelijke of motorische handicaps, of met gebrek aan ervaring en kennis kan gevaar veroorzaken. De personen die verantwoordelijk zijn voor hun veiligheid moeten uitdrukkelijke instructies geven of toezicht houden op het gebruik van het toestel.
- Laat uw gezondheid door een arts controleren voordat u met uw training begint.
- Als u misselijkheid, duizeligheid of andere abnormale symptomen ervaart, stop dan onmiddellijk met uw training en raadpleeg een arts.

- Om spierpijn en te zware belasting te voorkomen, moet u elke training beginnen met een warming-up en eindigen met een cooling-down. Vergeet niet om uw spieren te strekken aan het einde van de training.
- Het toestel is uitsluitend geschikt voor gebruik binnenshuis. Het toestel is niet geschikt voor gebruik buitenshuis.
- Gebruik het toestel alleen in een omgeving met voldoende ventilatie. Gebruik het toestel niet in een tochtige omgeving om geen kou te vatten.
- Gebruik het toestel alleen in een omgeving met een omgevingstemperatuur tussen 10 °C en 35 °C. Berg het toestel alleen op bij een omgevingstemperatuur tussen 5 °C en 45 °C.
- Gebruik het toestel niet in een vochtige omgeving. Berg het toestel niet op in een vochtige omgeving. De luchtvochtigheid mag nooit meer zijn dan 80%.
- Gebruik het toestel alleen voor het doel waarvoor het gemaakt is. Gebruik het toestel niet voor andere doelstellingen dan beschreven in de handleiding.
- Gebruik het toestel niet als een onderdeel is beschadigd of niet goed werkt. Raadpleeg uw dealer als een onderdeel is beschadigd of niet goed werkt.
- Houd uw handen, voeten en andere lichaamsdelen uit de buurt van de bewegende delen.
- Houd uw haar uit de buurt van de bewegende delen.
- Draag geschikte kleding en schoenen.
- Houd kleding, sieraden en andere voorwerpen uit de buurt van de bewegende delen.
- Zorg ervoor dat het toestel slechts door één persoon tegelijk wordt gebruikt. Het toestel mag niet worden gebruikt door personen die meer dan 135 kg (300 lbs) wegen.
- Maak het toestel niet open zonder eerst uw dealer te raadplegen.

Beschrijving (fig. A)

Uw roeitrainer is een stationair fitnessstoelstel dat wordt gebruikt voor het nabootsen van roeien zonder dat de gewrichten te veel belast worden.

Inhoud van de verpakking (fig. B&C)

- De verpakking bevat de onderdelen zoals aangegeven in fig. B.
- De verpakking bevat de bevestigingsmiddelen zoals aangegeven in fig. C. Raadpleeg het gedeelte "Beschrijving".



LET OP

- Raadpleeg uw dealer als een onderdeel ontbreekt.

Assemblage (fig. D)



WAARSCHUWING

- Monteer het apparaat in de aangegeven volgorde.
- Draag en verplaats het toestel met minstens twee personen.

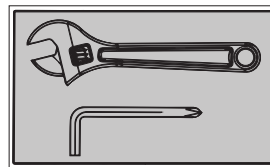


VOORZICHTIG

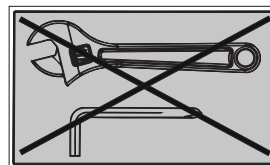
- Zet het toestel op een stevige, vlakke ondergrond.
- Zorg voor een beschermende laag onder het toestel om schade aan het vloeroppervlak te voorkomen.
- Houd rondom de apparatuur ten minste een bewegingsruimte van 100 cm.

- Raadpleeg de illustraties voor de juiste assemblage van het toestel.

Bouten en moeren aandraaien



Draai de bouten en moeren pas aan nadat alle componenten zijn gemonteerd.



Draai de bouten en moeren in deze stap niet aan.



LET OP

- Bewaar, nadat u het apparaat in elkaar hebt gezet, het gereedschap dat bij dit product is geleverd. Dit met het oog op service op een later tijdstip.

Het waterniveau van de tank aanpassen

De tank vullen met water (fig. E-3)

- Verwijder de rubberen plug uit de bovenzijde van de tank.
- Plaats een grote emmer water naast de roeitrainer en steek de sifon met de stugge slang in de emmer en de flexibele slang in de tank (zie afbeelding). Controleer of de kleine klep bovenop de sifon gesloten is voordat u gaat vullen.



LET OP

- De maximale vul hoeveelheid bedraagt 17 liter.
- Gebruik gedestilleerd water als het water in uw regio van slechte kwaliteit is.
- Zet de emmer hoger dan de tank zodat de sifon zelf pompt tijdens het vullen van de tank.
- Voorkom vlekken op de vloer en leg een handdoek onder de emmer en watertank.



WAARSCHUWING

- De tank vullen boven het maximaal aangegeven waterniveau kan resulteren in lekkage..
- Begin met vullen door in de sifon te knijpen. De volume meter aan de zijkant van de tank geeft aan hoeveel water er in de tank zit.
- Nadat u de tank hebt gevuld tot het gewenste waterniveau, opent u de klep bovenop de sifon om het overvloedige water weg te laten lopen.
- Vergeet niet de tank plug terug te plaatsen als u klaar bent met het vullen of het zuiveren van het water

Water uit de tank verwijderen (fig. E-4)

- Verwijder de tank plug.
- Steek de stugge slang van de sifon in de tank.
- Steek de flexibele slang van de sifon in een grote emmer.
- Laat de tank leeglopen. Er blijft ongeveer 20% water achter in de tank. (Het is niet mogelijk om de tank volledig leeg te laten lopen zonder deze te demonteren.)
- Vul de tank volgens de instructies in de sectie "De tank vullen" in deze handleiding



LET OP

- Voor het leeglopen van de tank moet de klep bovenop de sifon gesloten zijn.
- Als u zich aan het schema voor het zuiveren van het water houdt, hoeft u het water in de tank niet te verversen. Gebruik alleen een extra waterzuiveringstablet als het water verkleurd is.
- Blootstelling aan zonlicht heeft invloed op het water. Zet de roeitrainer niet in direct zonlicht om te voorkomen dat u het water te vaak moet zuiveren.

Het water zuiveren

- Voeg een waterzuiveringstablet (20) toe aan het water.
- Doe dit wanneer het water vuil of troebel lijkt.



WARNING

- Gebruik alleen waterzuiveringstabletten die door Tunturi zijn geleverd.

Trainingen

De training moet licht genoeg zijn, maar wel langdurig. Aerobische training is gebaseerd op verbetering van de maximale zuurstofopname van het lichaam, die dan het uithoudingsvermogen en de conditie weer verbetert. U moet tijdens de training wel transpireren, maar u mag niet buiten adem raken.

Voor het bereiken en in stand houden van een basisconditie moet u minstens drie keer per week steeds 30 minuten trainen. Verhoog het aantal trainingssessies ter verbetering van uw conditie. Het is de moeite waard om regelmatige lichaamsbeweging met gezonde voeding te combineren. Iemand die zich goed aan een dieet houdt, zou elke dag moeten trainen te beginnen met 30 minuten of korter, en de dagelijkse trainingsduur geleidelijk opvoeren tot één uur. Begin uw training bij een lage snelheid en een lage weerstand om te voorkomen dat uw hart en bloedvaten te sterk belast worden. Naarmate uw conditie verbetert, kunnen snelheid en weerstand geleidelijk worden verhoogd. De doelmatigheid van uw training kan worden gemeten door uw hartslag.

Instructies

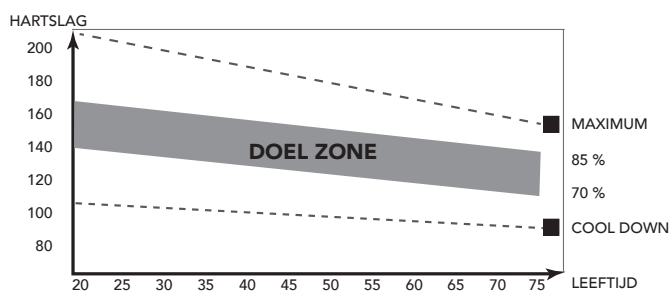
Het gebruik van dit fitness apparaat biedt meerdere voordelen: u verbetert uw fysieke conditie, u versterkt uw spieren en u valt in combinatie met een caloriearm dieet af.

De warming-up

In deze fase wordt uw bloedsomloop gestimuleerd voor een juiste werking van de spieren. Tevens wordt het risico op kramp en spier-letsel verminderd. Wij raden u aan enkele stretch oefeningen te doen, zoals hieronder beschreven. Houd elke stretch oefening ongeveer 30 seconden vol. Forceer uw spieren niet bij het stretchen. STOP als het pijn doet

De training fase

Dit is de fase waarin u de meeste inspanning levert. Na regelmatig gebruik worden de spieren in uw benen flexibeler. Het is in deze fase zeer belangrijk dat u een gelijkmatig tempo aanhoudt. De snelheid moet voldoende zijn om uw hartslag te laten stijgen naar de doel zone die in de onderstaande grafiek te zien is.



Deze fase moet minimaal 12 minuten duren, maar de meeste mensen beginnen met ongeveer 15-20 minuten.

De cooling down

In deze fase ontspant u uw cardiovasculaire systeem en spieren. Dit is een herhaling van de warming-up training. Verlaag dus uw tempo en ga ongeveer 5 minuten door. Herhaal nu de stretch-oefeningen. Forceer uw spieren niet tijdens het stretchen. Naarmate u fitter wordt, moet u langer en harder trainen. Het is raadzaam minstens drie keer per week te trainen en zo nodig uw oefeningen gelijkmatig over de week te verspreiden.

Spierversteviging

Als u uw spieren wilt verstevigen met behulp van dit fitnessapparaat, stelt u de weerstand in op hoog. Zo komt er meer spanning op uw beenspieren. Mogelijk kunt u niet zo lang trainen als u zou willen. Als u ook uw conditie wilt verbeteren, moet u het trainingsprogramma aanpassen. Tijdens de warming-up en cooling-down traint u zoals normaal, maar tegen het eind van de trainingsfase verhoogt u de weerstand zodat uw benen harder moeten werken. Verlaag hierbij de snelheid zodat uw hartslag in de doelzone blijft.

Gewichtverlies

Hierbij is het van belang hoeveel inspanning u levert. Hoe harder en langer u werkt, hoe meer calorieën u verbrandt. In feite is dit hetzelfde als wanneer u zou trainen om uw conditie te verbeteren. Het doel is alleen anders.

hartslag

Hartslagmeting (hartslagborstband)

De meest nauwkeurige hartslagmeting wordt bereikt met een hartslagborstband. De hartslag wordt gemeten met een hartslagontvanger in combinatie met een band die de hartslag verzendt. Voor een nauwkeurige hartslagmeting moeten de elektroden op de borstband enigszins vochtig zijn en de huid constant aanraken. Bij te droge of te natte elektroden kan de hartslagmeting minder nauwkeurig worden.



WAARSCHUWING

- Als u een pacemaker hebt, moet u het eerst met uw dokter bespreken voordat u een hartslagborstband gebruikt.



VOORZICHTIG

- Als er verscheidene hartslagmeetapparaten naast elkaar staan, zorg er dan voor dat de tussenafstand minstens 2 meter is.
- Als er slechts één hartslagontvanger en verscheidene hartslagzenders zijn, zorg dan dat er slechts één persoon met een zender in het zendbereik is.



LET OP

- Draag de hartslagborstband altijd onder uw kleding, direct op uw huid. Draag de hartslagborstband niet boven uw kleding. Als u de hartslagborstband boven uw kleding draagt, zal er geen signaal komen.
- Als u een hartslaglimiet hebt ingesteld voor uw training, klinkt er een alarm wanneer deze wordt overschreden.
- De zender verzendt de hartslag naar de console tot over een afstand van 1,5 meter. Als de elektroden niet vochtig zijn, verschijnt de hartslag niet op de display.
- Sommige vezels in kleding (bijv. polyester, polyamide) produceren statische elektriciteit die een nauwkeurige hartslagmeting kan hinderen.
- Mobiele telefoons, televisies en andere elektrische apparaten creëren een elektromagnetisch veld dat een nauwkeurige hartslagmeting kan hinderen.

Maximale hartslag (tijdens de training)

De maximale hartslag is de hoogste hartslag die iemand veilig kan bereiken door de belasting van de training. De volgende formule wordt gebruikt voor het berekenen van de gemiddelde maximale hartslag: $220 - \text{LEEFTIJD}$. De maximale hartslag varieert van persoon tot persoon.



WAARSCHUWING

- Zorg ervoor dat u tijdens uw training niet boven uw maximale hartslag komt. Als u bij een risicogroep hoort, moet u een arts raadplegen.

Beginner

50-60% van de maximale hartslag

Geschikt voor beginners, mensen die willen afvallen, herstellende patiënten en personen die lange tijd niet getraind hebben. Train minstens drie keer per week, 30 minuten per keer.

Gevorderd

60-70% van de maximale hartslag

Geschikt voor personen die hun conditie willen verbeteren en in stand houden. Train minstens drie keer per week, 30 minuten per keer.

Expert

70-80% van de maximale hartslag

Geschikt voor de fitste personen die gewend zijn aan langdurige duurtraining.

Gebruik

Afstellen van de steunvoeten

Het toestel is voorzien van 2 steunvoeten. Als het toestel niet stabiel is, kunnen de steunvoeten worden versteld.

- Draai de steunvoeten zo ver in of uit als nodig is om het toestel in een stabiele positie te krijgen.
- Draai de borgmoeren vast om de steunvoeten te vergrendelen..



LET OP

- Het toestel is het meest stabiel wanneer alle steunvoeten volledig zijn ingedraaid. Nivelleer het toestel eerst door alle steunvoeten volledig in te draaien alvorens de nodige steunvoeten uit te draaien om het toestel te stabiliseren.

Weerstand aanpassen

Om de weerstand te vergroten of te verkleinen, past u het waterniveau aan.

- Meer water is meer weerstand.
- Minder water is minder weerstand.

Met de schaal op de watertank kunt u een geschikte weerstand instellen.

Voetplaten afstellen

- Til de bovenzijde van het schuifgedeelte van de voetplaat op en schuif dit gedeelte omhoog of omlaag. De symbolen A ~ F zijn een richtlijn voor het bepalen van de juiste maat.
- Zet de plaat op de montagepenen en duw de plaat omlaag naar de juiste positie.



WAARSCHUWING

- Gebruik deze roeitrainer nooit zonder riempjes of wanneer het schuifgedeelte van de voetplaat niet goed is bevestigd.

Hoe te roeien

	<p>Aanvangen</p> <p>Schuif de zitting naar voren en houd hierbij uw armen gestrekt en uw rug recht.</p>
	<p>Doorhalen</p> <p>Duw uw benen van u af en houd hierbij uw armen gestrekt.</p>
	<p>Afmaken.</p> <p>Trek uw armen over uw knieën naar u toe. Kantel uw bekken hierbij licht..</p>
	<p>herstel</p> <p>Kantel uw bekken terug en schuif de zitting naar voren</p>
	<p>Aanvangen</p> <p>Ga terug naar de begin positie en herhaal deze beweging.</p>

Aanvangen - Doorhalen

Schuif de zitting naar voren en duw uw benen van u af, waardoor u zichzelf afzet. Houd uw armen gestrekt en uw rug recht.

Afmaken

Trek uw armen over uw knieën naar u toe. Kantel uw bekken hierbij licht.

Herstel - Aanvangen

Ga terug naar de begin positie en herhaal deze beweging.



WAARSCHUWING

- Raadpleeg altijd uw arts voordat u aan een trainingsprogramma begint.
- Stop direct als u zich duizelig of slap voelt.

Console (fig. E)



VOORZICHTIG

- Houd de console uit de buurt van direct zonlicht.
- Droog het oppervlak van de console wanneer het met zweetdruppels is bedekt.
- Leun niet op de console.
- Raak de display alleen met uw vingertop aan. Raak de display niet aan met uw nagels of een scherp voorwerp.



LET OP

- De console gaat naar standby wanneer het toestel gedurende 4 minuten niet wordt gebruikt.

Uitleg van de displayfuncties

Tijd (Time)

- Wanneer u geen doelwaarde instelt, telt de tijd op.
- Wanneer u een doelwaarde instelt, telt de tijd terug van de doelwaarde naar 0, waarna een alarm klinkt of knippert.
- Wanneer tijdens de workout gedurende 4 seconden geen signaal naar de monitor wordt verzonden, STOPT het tellen van de tijd
- Weergavebereik: 0:00~99:59
- Doelbereik: 0:00~99:00 (± 01:00)

Tijd/ 500m (Time/ 500m)

Hier ziet u de tijd die nodig is voor een workout met een afstand van 500 meter, gebaseerd op de huidige roei-intensiteit.

Afstand (Distance)

- Wanneer u geen doelwaarde instelt, telt de afstand op.
- Wanneer u een doelwaarde instelt, telt de afstand terug van de doelwaarde naar 0, waarna een alarm klinkt of knippert.

- Weergavebereik 0~9999
- Doelbereik 10 ~ 9990 (± 10)

Calorieën (Calorie)

- Wanneer u geen doelwaarde instelt, wordt het aantal calorieën opgeteld.
- Wanneer u een doelwaarde instelt, telt het aantal calorieën terug van de doelwaarde naar 0, waarna een alarm klinkt of knippert.
- Weergavebereik: 0~9990.
- Doelbereik 10 ~ 9990 (± 10)



OPMERKING

- Deze gegevens zijn een richtlijn voor de vergelijking van verschillende trainingssessies en kunnen niet voor medische behandelingen worden gebruikt.

Hartslag (Pulse)

- U ziet uw huidige hartslag na 6 seconden, zodra de console uw hartslag heeft gedetecteerd.
- Als er 6 seconden lang geen hartslagsignaal is, dan wordt op de console "P" weergegeven.
- Een alarm klinkt als de huidige hartslag boven de doelhartslag komt.
- Weergavebereik: 0 ~ 230 BPM
- Doelbereik: 30 ~ 230 BPM (± 1)

SPM

- SPM is het aantal slagen per minuut en geeft het gemiddelde aantal slagen per minuut tijdens de workout weer.
- Weergavebereik: 0 ~ 999

Slagen (Strokes)

- Wanneer u geen doelwaarde instelt, wordt het aantal slagen opgeteld.
- Wanneer u een doelwaarde instelt, telt het aantal slagen terug van de doelwaarde naar 0, waarna een alarm klinkt of knippert. (Tijdens het aftellen ziet u de resterende tijd)
- Weergavebereik: 0 ~ 9999
- Doelbereik: 10 ~ 9990 (± 10)

Totaal aantal slagen (Total strokes)

- Geeft het totaal aantal slagen van alle workouts weer.
- Deze waarde kan niet worden gereset, behalve bij het wisselen van de batterijen.
- Weergavebereik: 0 ~ 9999

Uitleg van de knoppen

Instellen (Set)

- Druk op INSTELLEN om functies te selecteren: HANDMATIG, INTERVAL, DOEL
- Druk op INSTELLEN om de waarde te verhogen. Houd de knop ingedrukt om de waarde sneller te verhogen.

- Instelbereik TIJD: 00:00~99:00 (±1:00)
- Instelbereik aantal SLAGEN: 0~9990 (± 10)
- Instelbereik AFSTAND: 0~9990 (± 10)
- Instelbereik CAL: 0~9990 (± 10)
- Instelbereik HARTSLAG: 30~230 (± 1)

Modus (Mode)

- Druk op de knop modus om consolefuncties te selecteren.
- Druk in de bedieningsmodus op modus om de workout te stoppen/pauzeren.
- Druk in de stopmodus op de knop modus om door te gaan met de workout.

Reset

- Druk in de instellingenmodus eenmaal op RESET om de huidige functiegetallen te resetten.
- Druk in de STOP-modus eenmaal op "RESET" om de workoutmodus te resetten en terug te gaan naar de programmeringsmodus.
- Houd RESET 2 seconden ingedrukt als u alle functiegetallen wilt resetten en de console opnieuw wilt starten.

Bediening

Inschakelen

- Druk op een willekeurige toets om de console te activeren wanneer deze in de slaapmodus staat.
- Begin met de workout om de console te activeren wanneer deze in de slaapmodus staat.

Uitschakelen

Wanneer er gedurende 4 minuten geen signaal naar de monitor wordt verzonden, gaat de console automatisch in de SLAAP-modus. (Gegevens van de actieve training gaan dan verloren)



WAARSCHUWING

- We raden aan om de accu's te verwijderen van de console als het apparaat gedurende langere tijd niet wordt gebruikt.

Programma's

Handmatige modus

- Druk op "Modus" om programmakeuze te openen, selecteer "Handmatig" door de knop "Instellen" te gebruiken en bevestig door op "Modus" te drukken.

Intervalmodus

- Druk op "Modus" om programmakeuze te openen, selecteer "Interval" door de knop "Instellen" te gebruiken en bevestig door "Modus" te drukken.
- Druk op "Instellen" om 10/20, 20/10 of aangepaste modus te selecteren en bevestig door op "Modus" te drukken.

10/20 geselecteerd.

- De console een 3 seconden aftelprocedure zien om het programma te starten.
 - » Een tijd van 10 seconden workout telt af naar 0.
 - » De resterende tijd van 20 seconden telt af naar 0.
 - » Stap 1 en 2 worden 8 keer doorlopen.

20/10 geselecteerd.

- De console een 3 seconden aftelprocedure zien om het programma te starten.
 - » Een tijd van 20 seconden workout telt af naar 0.
 - » De resterende tijd van 10 seconden telt af naar 0.
 - » Stap 1 en 2 worden 8 keer doorlopen.

Aangepast geselecteerd.

- INSTELLEN RONDE knippert, druk op "Instellen" om het aantal programmarondes in te stellen en bevestig door op "Enter" te drukken. (Bereik 1 ~ 99 ± 1)
- INSTELLEN WORKOUT knippert, druk op "Instellen" om de tijd van de workout in te stellen en bevestig door op "Enter" te drukken (Bereik: 0:05~10:00 min. ± 0:01 sec.)
- INSTELLEN RUST knippert, druk op "Instellen" om de rusttijd in te stellen en bevestig door op "Enter" te drukken (Bereik: 0:05~10:00 min. ± 0:01 sec.)
- De console een 3 seconden aftelprocedure zien om het programma te starten.
 - » De vooringestelde tijd van de workout telt terug naar 0.
 - » De vooringestelde rusttijd telt terug naar 0.
 - » Stap 1 en 2 worden het aantal keer doorlopen van de vooringestelde rondes.

Doelmodus

- Druk op "Modus" om programmakeuze te openen, selecteer "DOEL" door de knop "Instellen" te gebruiken en bevestig door op de knop "Modus" te drukken.

Streeftijd.

Druk op "Modus" om de streeftijd in te stellen. Stel de streeftijd in door op "Instellen" te drukken. (Doel: 0:00~99:00 min. ± 1:00 min.)

Doel aantal slagen.

Druk op "Modus" om het doel van het aantal slagen in te stellen.

Stel het doel van het aantal slagen in door op "Instellen" te drukken.

(Doel: 10~9990 min. ± 10.)

Hartslagdoel.

Druk op "Modus" om het hartslagdoel in te stellen.

Stel het hartslagdoel in door op "Instellen" te drukken.

(Doel: 30~230 min. ± 1.)

Calorieëndoel.

Druk op "Modus" om het calorieëndoel in te stellen.

Stel het calorieëndoel in door op "Instellen" te drukken.

(Doel: 10~9990 min. ± 10.)

Afstandsdoel.

Druk op "Modus" om het afstandsdoel in te stellen.

Stel het afstandsdoel in door op "Instellen" te drukken.

(Doel: 10~9990 min. ± 10.)

Als het gewenste doel is ingesteld zal de console de workout starten. De doelwaarde telt af, alle andere parameters tellen op.

**OPMERKING**

- Het is niet mogelijk om meer dan een doel in te stellen.

Reiniging en onderhoud**WAARSCHUWING**

- Gebruik geen oplosmiddelen om het toestel te reinigen.
- Reinig het toestel na elk gebruik met een zachte absorberende doek.
- Controleer regelmatig of alle schroeven en moeren goed vast zitten.
- Smeer indien nodig de draaipunten.

Het water is verkleurd of is troebel.**Mogelijke oorzaak:**

De roeitrainer staat in direct zonlicht of het water is niet gezuiverd.

Oplossing:

- Voorkom dat de roeitrainer wordt blootgesteld aan direct zonlicht.
- Voeg een waterzuiveringstablet toe of ververs het water in de tank (raadpleeg de desbetreffende sectie in deze handleiding).

Vervangen van de batterijen

De console is uitgerust met 2 AA-batterijen aan de achterkant van de console..

- Verwijder het deksel.
- Verwijder de oude batterijen.
- Plaats de nieuwe batterijen. Zorg ervoor dat de (+) en (-) polariteit-markeringen van de batterijen op de goede plaats zitten.
- Monteer het deksel.

De zitrollen beginnen geluid te maken (Fig. E-2).

Wanneer de zitrollen (piepende) geluiden maken, is het aan te raden om één druppel siliconensmeermiddel aan te brengen op de rollenbaan waar de rollen tijdens de workout overheen lopen.

**OPMERKING**

- Gebruik niet teveel smeermiddel omdat dit een glibberig gevoel geeft.

Defecten en storingen

Ondanks voortdurende kwaliteitscontrole kan het gebeuren dat het toestel door individuele onderdelen defect is of niet goed werkt. In de meeste gevallen zal het voldoende zijn om het defecte onderdeel te vervangen.

- Als het toestel niet goed werkt, neem dan onmiddellijk contact op met de dealer.
- Geef het modelnummer en serienummer van het toestel op aan de dealer. Vertel wat de aard van het probleem is, hoe het toestel wordt gebruikt en wanneer u het toestel heeft gekocht.

Problemen oplossen

- Wanneer het LCD-display wordt gedimd, moeten de batterijen worden vervangen. Als er geen signaal is wanneer u traint, controleer dan of de kabel goed is aangesloten.

**LET OP**

- Wanneer u gedurende 4 minuten stopt met de training, wordt het hoofdscherm uitgeschakeld.
- Wanneer de computer weergave niet normaal is, installeert u de batterijen opnieuw en probeert u het nogmaals.

Transport en opslag



WAARSCHUWING

- Draag en verplaats het toestel met minstens twee personen.
- Verplaats het toestel voorzichtig over een ongelijke ondergrond. Breng het toestel niet met behulp van de wielen naar boven, maar draag het toestel bij de handgrepen.
- Berg het toestel op een droge plaats op met zo weinig mogelijk temperatuurwisselingen.

Aanvullende informatie

Afvoeren van verpakkingsmateriaal

Overheids-richtlijnen geven aan dat we de hoeveelheid afvalmateriaal afgevoerd naar stortplaatsen moeten verminderen. Daarom vragen we u al het afvalmateriaal op verantwoordelijke wijze af te voeren naar openbare recycling-centra.

Verrwijdering aan het eind van de levensduur.

We hopen dat u jarenlang plezier hebt van uw fitnessapparaat. Er komt echter een moment waarop het fitnessapparaat het eind van de bruikbare levensduur heeft bereikt. Onder de Europese AEEA-wetgeving bent u verantwoordelijk voor het op de juiste wijze afvoeren van uw fitnessapparaat naar een erkend openbaar inzamelpunt.

Technische gegevens

Parameter	Meeteenheid	Waarde
Lengte	cm inch	228.0 89.8
Breedte	cm inch	56.0 21,9
Hoogte	cm inch	65.6 25,8
Gewicht	kg lbs	50.4 111,0
Max. gewicht gebruiker	kg lbs	135 300
Batterijen maat		AA

Garantie

Garantie voor eigenaars van Tunturi trainingsapparatuur

Garantievoorwaarden

De consument ontleent wettelijke rechten aan de van toepassing zijnde nationale wetgeving aangaande de handel in consumentengoederen en de garantie zal deze rechten niet beperken.

De "Garantie voor de Eigenaar" geldt alleen dan wanneer het toestel wordt gebruikt in de door Tunturi New Fitness BV voor dat toestel toegestane gebruiksomgeving. Voor elk toestel wordt de toegestane gebruiksomgeving beschreven in de gebruiksaanwijzing van het toestel.

Garantievoorwaarden

De garantievoorwaarden gaan in vanaf de datum van aankoop. Deze kunnen per land verschillen. Vraag in de winkel bij u in de buurt naar de garantievoorwaarden.

Garantiedekking

In geen enkele omstandigheid zal Tunturi New Fitness BV of een wederverkoper van Tunturi aansprakelijk zijn voor eventuele indirecte schade geleden door de koper, zoals verlies van gebruiksnuut of inkomstenderving of andere indirecte economische gevolgen.

Garantiebeperkingen

De garantie dekt defecten van het toestel die het gevolg zijn van materiaalfouten of onjuist uitgevoerd werk, mits het toestel zijn originele samenstelling heeft. De garantie betreft alleen defecten die blijken tijdens normaal gebruik overeenkomstig de meegeleverde gebruiksaanwijzing, mits de montage-, onderhouds- en gebruiksaanwijzingen van Tunturi zijn opgevolgd. Tunturi New Fitness BV en zijn wederverkopers zijn niet aansprakelijk voor defecten tengevolge van factoren waarop zij geen invloed kunnen uitoefenen. De garantie betreft alleen de eerste eigenaar van het toestel en is alleen geldig in landen waar een geautoriseerde importeur van Tunturi New Fitness BV is gevestigd. De garantie betreft geen trainingstoestellen of onderdelen die zijn gewijzigd zonder toestemming van Tunturi New Fitness BV. De garantie dekt geen defecten tengevolge van normale slijtage, onjuist gebruik, gebruik in omstandigheden waarvoor het toestel niet is bedoeld, corrosie of schade ontstaan tijdens laden of transport. De garantie geldt niet voor geluiden die ontstaan door het gebruik, als ze het gebruik van het apparaat niet wezenlijk belemmeren en niet veroorzaakt zijn door een defect aan het apparaat.

De garantie omvat ook geen onderhoudsmaatregelen, zoals reiniging, smering of normale inspectie van onderdelen, noch dergelijke montagewerkzaamheden die de klant zelf kan uitvoeren en die geen speciale demontage en montage van het toestel vereisen. Dit soort maatregelen zijn bijv. vervanging van monitoren, pedalen of andere vergelijkbare eenvoudige onderdelen. Garantieherstel dat is uitgevoerd door een ander dan de geautoriseerde Tunturi-vertegenwoordiger wordt niet vergoed. De garantie geldt alleen voor normaal, voorgeschreven gebruik van het product zoals beschreven in de handleiding.

Verklaring van de fabrikant

Tunturi New Fitness BV verklaart dat het product voldoet aan de volgende normen en richtlijnen: EN 957 (HA), 89/336/EEG. Het product is derhalve voorzien van het CE-label.

05-2018

Tunturi New Fitness BV
Purmerweg 1
1311 XE Almere
The Netherlands

Disclaimer

© 2018 Tunturi New Fitness BV
Alle rechten voorbehouden.

Het product en de handleiding zijn aan veranderingen onderhevig. Specificaties kunnen zonder verdere kennisgeving worden veranderd.

Español

Este manual español es una traducción del texto inglés. No se pueden derivar derechos de esta traducción. El texto original en inglés prevalecerá.

Índice

Remo	52
Advertencias de seguridad	52
Descripción (fig. A)	53
Package contents (fig. B & C)	53
Montaje (fig. D)	53
Apriete de tuercas y tornillos	53
Ajustar el nivel de agua	53
Rellenar el tanque con agua (fig. E-3)	53
Quitar agua del tanque (fig. E-4)	54
Tratamiento agua	54
Sesiones de ejercicio	54
Ejercicio Instrucciones	54
Del ritmo cardíaco	55
Uso	56
Ajustar la resistencia	56
Ajuste del reposapiés	56
Como remar	56
Consola (fig. E)	57
Explicación de las funciones de la pantalla	57
Explicación de los botones	58
Funcionamiento	58
Programas	58
Modo manual	58
Modo de intervalo	58
Modo objetivo	59
Limpieza y mantenimiento	59
El agua cambia de color o parece turbia	59
Sustitución de las pilas	59
Los rodillos del asiento empiezan a hacer mucho ruido (Fig. E-2).	59
Defectos y fallos	59
Transporte y almacenamiento	60
Información adicional	60

Remo

¡Bienvenido al mundo de Tunturi Fitness!

Le agradecemos la compra de esta máquina Tunturi. Tunturi ofrece una amplia gama de máquinas de fitness profesionales como bicicletas elípticas, cintas de correr y bicicletas de ejercicio. La máquina Tunturi es adecuada para toda la familia, independientemente del nivel de forma física. Si desea información adicional, visite nuestro sitio web www.tunturi.com

Información y precauciones

Lea atentamente esta guía antes del montaje, uso o mantenimiento de su equipo de ejercicio. Mantenga esta guía en lugar seguro; le brindará hoy y en el futuro la información que necesite para usar y mantener su equipo. Siga siempre atentamente sus instrucciones.

Advertencias de seguridad



ADVERTENCIA

- Lea las advertencias de seguridad y las instrucciones. De no seguirse las advertencias de seguridad y las instrucciones pueden producirse lesiones personales o daños en la máquina. Conserve las advertencias de seguridad y las instrucciones para su consulta posterior.



ADVERTENCIA

- Los sistemas de motorización de frecuencia cardíaca pueden ser imprecisos. Un exceso de ejercicio puede provocar lesiones graves o incluso la muerte. Si se siente mareado, deje de hacer ejercicio inmediatamente.
- La máquina es adecuada únicamente para uso doméstico. La máquina no es adecuada para un uso comercial.
- El uso máx. Está limitado a 3 horas al día.
- El uso de esta máquina por niños o por personas con una discapacidad física, sensorial o motora, o falta de experiencia y conocimientos, puede dar lugar a situaciones de riesgo. Las personas responsables de su seguridad deben dar instrucciones explícitas o supervisar el uso de la máquina.
- Antes de empezar a hacer ejercicio, consulte con un médico para comprobar su estado de salud.
- Si experimenta náuseas, mareos u otros síntomas anormales, deje de hacer ejercicio inmediatamente y consulte con un médico.
- Para evitar dolor y tensión muscular, realice un calentamiento antes de empezar a hacer ejercicio y termine haciendo relajación. Recuerde hacer estiramientos al final de la sesión de ejercicio.

- La máquina es adecuada únicamente para uso en interior. La máquina no es adecuada para un uso en exterior.
- Utilice la máquina únicamente en lugares con una ventilación adecuada. No utilice la máquina en lugares donde haya corriente para no resfriarse.
- Utilice la máquina únicamente en lugares con una temperatura ambiente entre 10 °C y 35 °C. Almacene la máquina únicamente en lugares con una temperatura ambiente entre 5 °C y 45 °C.
- No utilice ni almacene la máquina en espacios húmedos. La humedad del aire no debe ser superior al 80%.
- Utilice la máquina sólo para su uso previsto. No la utilice para otros fines que no sean los descritos en el manual.
- La máquina no debe utilizarse si alguna de las piezas ha sufrido daños o tiene algún defecto. Contacte con su proveedor si alguna de las piezas ha sufrido daños o tiene algún defecto.
- Mantenga las manos, los pies y demás partes del cuerpo alejadas de las piezas móviles.
- Mantenga el pelo alejado de las piezas móviles.
- Lleve ropa y calzado adecuado.
- Mantenga la ropa, las joyas y otros objetos alejados de las piezas móviles.
- Asegúrese de que sólo una persona utilice la máquina cada vez. La máquina no debe ser utilizada por personas cuyo peso supere los 135 kg (300 lbs).
- No abra la máquina sin consultar con su proveedor.

Descripción (fig. A)

El remo es una máquina estacionaria de fitness que se utiliza para simular la acción de remar sin generar una presión excesiva en las articulaciones.

Package contents (fig. B & C)

- El paquete contiene los elementos que se muestran en la fig. B.
- El paquete contiene los elementos de fijación que se muestran en la fig. C. consulte la sección "Descripción".



NOTA

- Si falta una pieza, contacte con su proveedor.

Montaje (fig. D)



ADVERTENCIA

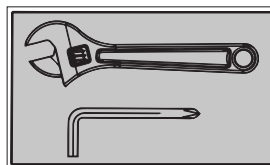
- Monte la máquina en el orden indicado.
- Al menos dos personas deben transportar y mover la máquina.



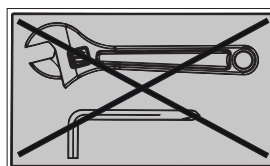
PRECAUCIÓN

- Coloque la máquina sobre una superficie firme y nivelada.
 - Coloque la máquina sobre una base protectora para evitar daños en la superficie del suelo.
 - Deje unos 100 cm de espacio alrededor de la máquina.
- Consulte las ilustraciones para el correcto montaje de la máquina.

Apriete de tuercas y tornillos



Apriete firmemente todos los tornillos y las tuercas cuando se hayan ensamblado todos los componentes correspondientes al paso actual y los anteriores.



No apriete todos los tornillos y las tuercas en este paso.



NOTA

- Guarde las herramientas suministradas con este producto una vez que haya completado el montaje del producto, para futuros fines de servicio.

Ajustar el nivel de agua

Rellenar el tanque con agua (fig. E-3)

- Quitar el tapón de goma del tanque de la parte superior.
- Poner un cubo de agua grande junto al remo y colocar el sifón con la manguera rígida en el cubo y la manguera flexible en el tanque como se muestra. Asegurarse que la válvula pequeña de oxigenación de la parte superior del sifón está cerrada antes de rellenar.



NOTA

- Se necesitan 17 litros de agua para un llenado máximo.

- Donde el agua es de poca calidad, recomendamos usar agua destilada.
- Poniendo un cubo mayor que el tanque permitiremos al sifón "auto-bombearse" cuando se añada agua al tanque.
- Considerar usar una toalla debajo del cubo y del tanque de agua para prevenir manchas en el suelo.



ADVERTENCIA

- Si no se posiciona el mando de ajuste a MAX antes de llenar el tanque causará niveles de llenado inexactos y posibles fugas.
- Comience a llenar el depósito apretando el sifón. Use la pegatina de indicador de nivel en el lado del tanque para confirmar el volumen de agua en el tanque.
 - Después de rellenar el tanque al nivel de agua deseado, abrir la válvula de la parte superior del sifón que permite la evacuación del exceso de agua.
 - Asegurarse que el tapón del tanque es colocado una vez rellenado y el procedimiento del agua es completado.

Quitar agua del tanque (fig. E-4)

- Quitar el tapón del tanque.
- Insertar la manguera rígida del sifón dentro del tanque de agua.
- Inserta la manguera flexible dentro de un cubo grande.
- Desagüe el tanque (aproximadamente 40% del agua permanecerá en el tanque. Si no es posible desaguar el tanque completamente sin desmontar el tanque)
- Rellenar el tanque siguiendo las instrucciones de la sección "Rellenar el tanque con agua" de este manual.



NOTA

- La válvula de la parte superior del sifón debe estar cerrada para permitir un drenaje adecuado.
- Si el procedimiento de agua es mantenido, no será necesario cambiar el agua del interior del tanque. Un tratamiento adicional del agua con una tableta sólo es necesario cuando aparece decoloración en el agua.
- La exposición de los rayos del sol afecta al agua. Quitando el remo del contacto directo de los rayos del sol el tiempo entre tratamientos del agua será mayor.

Tratamiento agua

Añadir una tableta para el tratamiento del agua.
Añadir una tableta para el tratamiento del agua cuando el agua este sucia o no este clara.



ADVERTENCIA

- Usar sólo las tabletas de tratamiento de agua suministradas por Tunturi.

Sesiones de ejercicio

La sesión de ejercicio debe ser ligera, pero de larga duración. El ejercicio aeróbico se basa en mejorar el consumo de oxígeno máximo del cuerpo, lo que a su vez mejora la resistencia y la forma física. Debe transpirar, pero no debe quedarse sin aliento durante la sesión de ejercicio. Para lograr y mantener un nivel de forma física básico, debe realizar ejercicio al menos tres veces a la semana, 30 minutos cada vez. Aumente el número de sesiones de ejercicio para mejorar su nivel de forma física. Vale la pena combinar el ejercicio regular con una dieta sana. Una persona que se encuentre a dieta debe realizar ejercicio a diario, al principio 30 minutos o menos cada vez, aumentando gradualmente el tiempo de ejercicio diario hasta una hora. Empiece la sesión de ejercicio a velocidad baja y resistencia baja para evitar que el sistema cardiovascular se vea sometido a una tensión excesiva. A medida que mejore el nivel de forma física, pueden aumentarse gradualmente la velocidad y la resistencia. La eficiencia de su ejercicio puede medirse supervisando su frecuencia cardíaca y sus pulsaciones.

Ejercicio Instrucciones

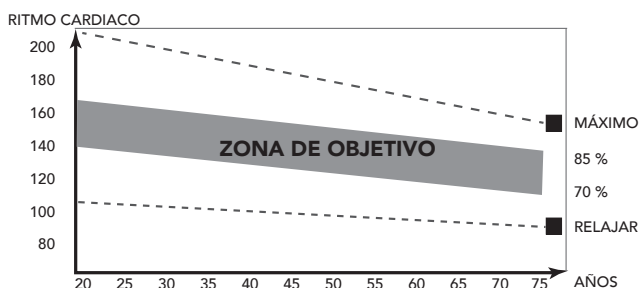
El uso de su entrenador le aportará muchas ventajas, mejorará su tono físico, tonificará los músculos y, combinado con una dieta con un consumo controlado de calorías, le ayudará a perder peso.

Fase de calentamiento

Esta fase mejora la circulación y favorece el buen funcionamiento de los músculos. Asimismo, reduce el riesgo de calambres y de lesiones musculares. Es conveniente realizar una serie de ejercicios de estiramiento, como se muestra más abajo. Al estirar se debe mantener la posición durante unos 30 segundos; no fuerce los músculos ni realice movimientos bruscos para estirarlos, si duele, PARE inmediatamente.

Fase de ejercicio

Esta es la fase de esfuerzo. Tras un uso regular, los músculos de las piernas irán ganando flexibilidad. Es importante mantener un ritmo estable durante toda esta fase. El ejercicio debe ser lo suficientemente fuerte como para incrementar el ritmo cardíaco hasta el objetivo que se muestra en el siguiente cuadro.



Esta fase debe tener una duración mínima de 12 minutos, aunque la mayoría de las personas empiezan a los 15-20 minutos.

Fase de enfriamiento

La finalidad de esta fase es permitir que se relaje el sistema cardiovascular y los músculos. Es una repetición del ejercicio de calentamiento, por lo que debe ir reduciendo el ritmo de manera constante durante unos 5 minutos. En este momento debe repetir también los ejercicios de estiramiento, evitando de nuevo forzar los músculos o hacer movimientos bruscos.

A medida que vaya mejorando su forma física, es posible que el entrenamiento tenga que ser más largo e intenso. Es aconsejable entrenarse al menos tres veces a la semana, espaciando de manera uniforme, en la medida de lo posible, los entrenamientos durante la semana.

Tonificación muscular

Si quiere tonificar los músculos mientras trabaja con el aparato, deberá ajustar la resistencia en un nivel bastante alto. Así aumentará la tensión sobre los músculos de las piernas, con lo que es posible que no pueda entrenarse durante todo el tiempo que le gustaría. Si quiere mejorar su condición física, tendrá que modificar también el programa de entrenamiento. El entrenamiento durante las fases de calentamiento y enfriamiento será igual, pero debe aumentar la resistencia hacia el final de la fase de ejercicio para incrementar el esfuerzo del tren inferior. Tendrá que reducir la velocidad para mantener el ritmo cardíaco en la zona objetivo.

Pérdida de peso

El factor determinante en este sentido es el esfuerzo realizado. Cuanto más intenso y prolongado sea el ejercicio físico, más calorías quemará. En realidad, es lo mismo que si se entrenara para mejorar la condición física, lo que cambia es el objetivo.

Del ritmo cardíaco

Medición de la frecuencia cardíaca (correa en el pecho para la frecuencia cardíaca)

La medición más precisa de la frecuencia cardíaca se logra con una correa en el pecho para la frecuencia cardíaca. La frecuencia cardíaca se mide con un receptor de frecuencia cardíaca en combinación con una correa transmisora de la frecuencia cardíaca. Para una medición precisa de la frecuencia cardíaca es necesario que los electrodos de la correa transmisora estén ligeramente húmedos y que toquen constantemente la piel. Si los electrodos están demasiado secos o demasiado húmedos, la medición de la frecuencia cardíaca puede resultar menos precisa.



ADVERTENCIA

- Si usted tiene un marcapasos, consulte con un médico antes de utilizar una correa en el pecho para la frecuencia cardíaca.



PRECAUCIÓN

- Si hay varios dispositivos de medición de frecuencia cardíaca en proximidad, asegúrese de que la distancia entre ellos sea de al menos 2 metros.
- Si sólo hay un receptor de frecuencia cardíaca y varios transmisores, asegúrese de que sólo una persona con un transmisor se encuentre en la zona de transmisión.



NOTA

- Lleve siempre la correa en el pecho para la frecuencia cardíaca debajo de la ropa, en contacto directo con la piel. No lleve la correa en el pecho para la frecuencia cardíaca por encima de la ropa. Si lleva la correa en el pecho para la frecuencia cardíaca por encima de la ropa, no habrá señal.
- Si define un límite de frecuencia cardíaca para su sesión de ejercicio, cada vez que éste se supere sonará una alarma.
- El transmisor transmite la frecuencia cardíaca a la consola hasta una distancia de 1,5 metro. Si los electrodos no están húmedos, la frecuencia cardíaca no aparece en la pantalla.
- Algunas fibras de la ropa (p. ej. poliéster, poliamida) generan electricidad estática, la cual puede impedir la medición precisa de la frecuencia cardíaca.
- Los teléfonos móviles, las televisiones y otros aparatos eléctricos generan un campo electromagnético que puede impedir la medición precisa de la frecuencia cardíaca.

Frecuencia cardíaca máxima (durante el entrenamiento)

alcanzar una persona de forma segura por la tensión del ejercicio. Se utiliza la siguiente fórmula para calcular la frecuencia cardíaca máxima media: $220 - \text{EDAD}$. La frecuencia cardíaca máxima varía según la persona.



ADVERTENCIA

- Asegúrese de no superar la frecuencia cardíaca máxima durante la sesión de ejercicio. Si usted se encuentra en un grupo de riesgo, consulte con un médico.

Principiante

50-60% de frecuencia cardíaca máxima

Adecuada para principiantes, personas que cuidan la línea, convalecientes y personas que no han hecho ejercicio en mucho tiempo. Haga ejercicio al menos tres veces a la semana, 30 minutos cada vez.

Avanzado

60-70% de frecuencia cardíaca máxima

Adecuada para personas que desean mejorar y mantener la forma física. Haga ejercicio al menos tres veces a la semana, 30 minutos cada vez.

Experto

70-80% de frecuencia cardíaca máxima

Adecuado para personas con muy buena forma física que están acostumbradas a sesiones de ejercicio de gran resistencia.

Uso

Ajuste de los pies de soporte

La máquina está equipada con 2 pies de soporte. Si la máquina no está estable, es posible ajustar los pies de soporte.

- Gire los pies de soporte tanto como sea necesario para estabilizar la máquina.
- Apriete las contratueras para bloquear los pies de soporte.



NOTA

- La máquina es más estable cuando todos los pies de soporte están totalmente girados hacia dentro. Por tanto, empiece a nivelar la máquina girando totalmente hacia dentro todos los pies de soporte, antes de girar hacia fuera el pie de soporte necesario para estabilizar la máquina.

Ajustar la resistencia

Para aumentar o disminuir la resistencia, ajuste el nivel de agua.

- Más agua es más resistencia.
- Menos agua es menos resistencia.

La escala en el tanque de agua le ayuda a encontrar y configurar una resistencia adecuada.

Ajuste del reposapiés

- Levante la parte superior de la pieza deslizante del reposapiés y deslice hacia arriba o abajo. Los símbolos A ~ F representan una guía en la que se puede determinar la longitud adecuada.
- Fijar la placa con las clavijas de montaje y presionar hacia abajo firmemente hasta fijarlo en su posición

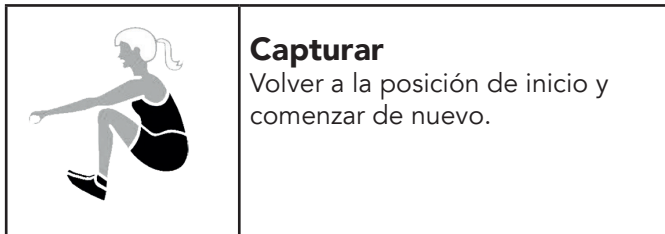


ADVERTENCIA

- Never operate this rower without feet properly secured in Foot straps, or without the sliding portion of the Slider Footplate locked into position.

Como remar

	<p>Capturar CÓMODO hacia delante con la espalda y brazos rectos..</p>
	<p>Manejar Empujar con las piernas mientras los brazos permanecen rectos.</p>
	<p>Finalizar Tire a través de sus brazos y piernas balanceándose ligeramente hacia atrás de su pelvis.</p>
	<p>Recuperar Es aconsejable llevar la parte superior del cuerpo sobre su pelvis y moverse hacia delante.</p>

**Capturar**

Volver a la posición de inicio y comenzar de nuevo.

Capturar – Manejar

Comenzar la remada confortablemente en posición hacia delante y empujar hacia atrás con sus piernas mientras mantiene sus brazos y espalda rectos.

Finalizar

Comenzar a empujar sus brazos hacia atrás hasta que rebasen sus rodillas y continuar la remada hasta la finalización de balanceo ligero hacia atrás de su pelvis.

Recuperar – Capturar

Volver a la posición de inicio y repetir.

**ADVERTENCIA**

- Consultar siempre a un médico antes de comenzar un programa de ejercicio.
- Parar inmediatamente si siente fatiga o mareo.

Consola (fig. E)**PRECAUCIÓN**

- Mantenga la consola alejada de la luz solar directa.
- Seque la superficie de la consola cuando esté cubierta de gotas de sudor.
- No se apoye en la consola.
- Toque la pantalla únicamente con la punta del dedo. Asegúrese de no tocar la pantalla con las uñas ni objetos afilados.

**NOTA**

- La consola pasa al modo de espera activa cuando la máquina no se usa durante 4 minutos.

Explicación de las funciones de la pantalla**Tiempo (Time)**

- Si no se fija un valor objetivo, el tiempo contará hacia delante.
- Si se define un valor objetivo, el tiempo se irá descontando desde el valor fijado hasta 0 y sonará o parpadeará una alarma.

- Si no se transmite ninguna señal al monitor en un plazo de cuatro segundos durante la sesión, el tiempo se detendrá
- Rango de visualización: 0:00~99:59
- Rango objetivo: 0:00~99:00 (± 01:00)

Tiempo/ 500 m (Time/ 500m)

Muestra el tiempo necesario para recorrer una distancia de 500 metros basándose en la intensidad actual.

Distancia (Distance)

- Si no se fija un valor objetivo, la distancia contará hacia delante.
- Si se define un valor objetivo, la distancia se irá descontando desde el valor fijado hasta 0 y sonará o parpadeará una alarma.
- Rango de visualización 0 ~ 9999
- Rango objetivo 10 ~ 9990 (± 10)

Calorías (Calorie)

- Si no se fija un valor objetivo, las calorías contarán hacia delante.
- Si se define un valor objetivo, las calorías se irán descontando desde el valor fijado hasta 0 y sonará o parpadeará una alarma.
- Rango de visualización: 0 ~ 9990.
- Rango objetivo 10 ~ 9990 (± 10)

**NOTA**

- Estos datos sirven como guía para comparar distintas sesiones de ejercicio, pero no se pueden utilizar en tratamientos médicos

Pulso (Pulse)

- El pulso se mostrará en la pantalla a los 6 segundos cuando lo detecte la consola.
- Si no hay señal de pulso durante 6 segundos, la consola mostrará "P".
- La alarma de pulso sonará cuando el pulso actual esté por encima del pulso objetivo.
- Rango: 0-30 ~ 230 lpm

BPM (SPM)

- BPM significa brazadas por minuto y muestra la media de brazadas por minuto durante la sesión.
- Rango de visualización: 0 ~ 999

Brazadas (Strokes)

- Si no se fija un valor objetivo, las brazadas contarán hacia delante.
- Si se define un valor objetivo, las brazadas se irán descontando desde la distancia objetivo hasta 0 y sonará o parpadeará una alarma. (Durante la cuenta atrás se muestra "Restante")
- Rango de visualización: 0 ~ 9999
- Rango objetivo: 10 ~ 9990 (± 10)

Total de brazadas (Total strokes)

- Mostrará el número total de brazadas de todos los ejercicios.
- Este valor no se puede restablecer, a no ser que se cambien las pilas.
- Rango de visualización: 0 ~ 9999

Explicación de los botones

Set

- Pulse el botón SET para seleccionar las funciones: MANUAL, INTERVALO, OBJETIVO
- Pulse el botón SET para aumentar el valor. Mantenga pulsado el botón para aumentar el valor más deprisa.
- Ámbito de ajuste de tiempo (TIME): 00:00 ~ 99:00 (± 1:00)
- Ámbito de ajuste de brazadas (STROKE): 0 ~ 9990 (± 10)
- Ámbito de ajuste de distancia (DIST): 0 ~ 9990 (± 10)
- Ámbito de ajuste de calorías (CAL): 0 ~ 9990 (± 10)
- Ámbito de ajuste de pulso (PULSE): 30~230 (± 1)

Mode

- Pulse el botón MODE para seleccionar las funciones de la consola.
- En modo de funcionamiento, pulse MODE para detener/hacer una pausa en el ejercicio.
- En modo parado, pulse el botón MODE para continuar el ejercicio.

Reset

- En el modo SET, pulse la tecla RESET una vez para restablecer a cero los datos de funcionamiento actuales.
- En el modo STOP, pulse la tecla RESET una vez para restablecer a cero el modo de ejercicio y volver al modo de programación.
- Pulse y mantenga pulsada la tecla RESET durante 2 segundos para restablecer a cero todas las cifras de funcionamiento y reiniciar la consola.

Funcionamiento

Encendido

- Pulse cualquier tecla para encender la consola cuando esta esté en modo de espera.
- Empiece el ejercicio para encender la consola cuando esta esté en modo de espera.

Apagado

Si no se transmite ninguna señal al monitor durante cuatro minutos, este se pondrá automáticamente en modo en ESPERA. (Se perderán los datos del entrenamiento activo)



ADVERTENCIA

- Recomendamos quitar las pilas si no se va a utilizar el equipo durante un periodo prolongado.

Programas

Modo manual

- Pulse el botón "Mode" para abrir el modo de selección de programa, seleccione "Manual" con el botón "Set" y confírmelo pulsando "Mode".

Modo de intervalo

- Pulse el botón "Mode" para abrir el modo de selección de programa, seleccione "Interval" con el botón "Set" y confírmelo pulsando "Mode".
- Pulse el botón "Set" para seleccionar modo 10/20, 20/10 o Custom (personalizado) y confírmelo pulsando "Mode".

Se ha seleccionado 10/20.

- La consola mostrará una cuenta atrás de tres segundos para empezar el programa.
 - » El tiempo del ejercicio de 10 segundos se irá descontando hasta 0.
 - » El tiempo restante de 20 segundos se irá descontando hasta 0.
 - » Se realizarán los pasos 1 y 2 ocho veces.

Se ha seleccionado 20/10.

- La consola mostrará una cuenta atrás de tres segundos para empezar el programa.
 - » El tiempo del ejercicio de 20 segundos se irá descontando hasta 0.
 - » El tiempo restante de 10 segundos se irá descontando hasta 0.
 - » Se realizarán los pasos 1 y 2 ocho veces.

Se ha seleccionado Custom (personalizado).

- SET ROUND parpadeará, pulse el botón "Set" para seleccionar el número de ciclos del programa y confírmelo pulsando "Enter". (Rango 1 ~ 99 ± 1)
- SET WORK parpadeará, pulse el botón "Set" para ajustar el tiempo del ejercicio y confírmelo pulsando "Enter" (Rango: 0:05 ~ 10:00 min. ± 0:01 seg.)
- SET REST parpadeará, pulse el botón "Set" para ajustar el tiempo de descanso y confírmelo pulsando "Enter" (Rango: 0:05 ~ 10:00 min. ± 0:01 seg.)

- La consola mostrará una cuenta atrás de tres segundos para empezar el programa.
 - » El tiempo del ejercicio preseleccionado se irá descontando hasta 0.
 - » El tiempo de descanso preseleccionado se irá descontando hasta 0.
 - » Se realizarán los pasos 1 y 2 durante el número de ciclos preseleccionado.

Modo objetivo

- Pulse el botón "Mode" para abrir el modo de selección de programa, seleccione "TARGET" con el botón "Set" y confírmelo pulsando "Mode".

Objetivo de tiempo.

Para ajustar el objetivo de tiempo, pulse el botón "Mode".

Ajuste el objetivo de tiempo pulsando el botón "Set".
(Objetivo: 0:00 ~ 99:00 min. ± 1:00 min.)

Objetivo de brazadas.

Para ajustar el objetivo de brazadas, pulse el botón "Mode".

Ajuste el objetivo de brazadas pulsando el botón "Set".
(Objetivo: 10 ~ 9990 min. ± 10.)

Objetivo de pulso.

Para ajustar el objetivo de pulso, pulse el botón "Mode".

Ajuste el objetivo de pulso pulsando el botón "Set".
(Objetivo: 30 ~ 230 min. ± 1.)

Objetivo de calorías.

Para ajustar el objetivo de calorías, pulse el botón "Mode".

Ajuste el objetivo de calorías pulsando el botón "Set".
(Objetivo: 10 ~ 9990 min. ± 10.)

Objetivo de distancia.

Para ajustar el objetivo de distancia, pulse el botón "Mode".

Ajuste el objetivo de distancia pulsando el botón "Set".
(Objetivo: 10 ~ 9990 min. ± 10.)

Cuando se haya ajustado el objetivo deseado, la consola comenzará el ejercicio. El valor objetivo se irá descontando, mientras que todos los demás parámetros contarán hacia delante.



NOTA

- No se puede ajustar más de un objetivo.

Limpieza y mantenimiento



ADVERTENCIA

- No utilice disolventes para limpiar la máquina.
- Limpie la máquina con un paño suave y absorbente tras cada uso.
- Compruebe periódicamente que todos los tornillos y las tuercas estén apretados.
- En caso necesario, lubrique las juntas.

El agua cambia de color o parece turbia

Causa probable:

El remo está directamente con contacto con los rayos del sol o el agua no ha sido tratada.

Solución:

- Cambiar la ubicación del remo para reducir la exposición directa de los rayos del sol.
- Añadir agua tratada o cambiar el agua del tanque como se describe en el manual en la sección de tratamiento de agua.

Sustitución de las pilas

La consola está equipada con 2 pilas AA en la parte posterior de la misma.

- Retire la cubierta.
- Retire las pilas usadas.
- Inserte pilas nuevas. Asegúrese de que coincidan las marcas de polaridad (+) y (-).
- Monte la cubierta.

Los rodillos del asiento empiezan a hacer mucho ruido (Fig. E-2).

Cuando los rodillos del asiento empiezan a hacer mucho ruido (chirrían), se recomienda aplicar una gota de lubricante de silicona en la vía de rodillos sobre la que están rodando los rodillos durante el ejercicio.



NOTA

- No aplique demasiado lubricante, ya que se tendrá la sensación de que está patinando.

Defectos y fallos

A pesar del control de calidad continuo, la máquina puede presentar defectos y fallos ebidos a piezas individuales. En la mayoría de los casos, será suficiente sustituir la pieza defectuosa.

- Si la máquina no funciona correctamente, contacte inmediatamente con su proveedor.
- Facilite al proveedor el número de modelo y el número de serie de la máquina. Indique la naturaleza del problema, las condiciones de uso y la fecha de compra.

Solución de problemas:

- Si la pantalla LCD está oscurecida, significa que las pilas deben cambiarse.
- Si no hay señal al pedalear, por favor compruebe que el cable esté bien conectado.



NOTA

- Al detener el entrenamiento durante 4 minutos, la pantalla principal se apagará.
- Si el ordenador presenta información anormal en pantalla, por favor vuelva a instalar las pilas y prueba de nuevo.

Transporte y almacenamiento



ADVERTENCIA

- Al menos dos personas deben transportar y mover la máquina.
- Mueva la máquina con cuidado sobre superficies irregulares. No suba la máquina por las escaleras usando las ruedas; transporte la máquina por los manillares.
- Almacene la máquina en un lugar seco con la menor variación de temperatura posible.

Información adicional

Eliminación de embalajes

Las pautas gubernamentales exigen reducir la cantidad de residuos que se depositan en los basureros. Por este motivo, le rogamos que deseche los embalajes de manera responsable en centros públicos de reciclaje.

Eliminación al final de la vida útil

Desde Tunturi esperamos que disfrute de su equipo de entrenamiento durante muchos años. No obstante, llegará un momento en que éste llegue al final de su vida útil. Conforme a la Directiva WEEE (relativa a la gestión de residuos procedentes de equipos eléctricos y electrónicos) le corresponde a usted la responsabilidad de desechar adecuadamente su equipo de entrenamiento en un centro público autorizado de recogida.

Datos técnicos

Parámetro	Unidad de medición	Valor
Longitud	cm	228.0
	inch	89.8
Anchura	cm	56.0
	inch	21,9
Altura	cm	65.6
	inch	25,8
Peso	kg	50.4
	lbs	111,0
Peso máx. del usuario	kg	135
	lbs	300
Tamaño de pila		AA

Garantía

Garantía del propietario del equipo Tunturi

Condiciones de la garantía

El consumidor tiene derecho a la aplicación de los derechos legales específicos de la legislación nacional concernientes al comercio de bienes de consumo y esta garantía no limita dichos derechos. La Garantía del Propietario sólo estará en vigor cuando el equipo se utilice en el entorno de uso permitido por Tunturi New Fitness BV para dicho equipo de ejercicio. En las instrucciones de uso de cada aparato se especifica el entorno de uso permitido para el mismo.

Términos de la garantía

Los términos de la garantía comenzarán el día de la compra. Los términos de garantía pueden variar por país, así que consulte con su distribuidor local para ver cuáles son los términos de la garantía.

Cobertura de la garantía

Tunturi New Fitness BV o los distribuidores Tunturi no responderán en ninguna circunstancia a causa de esta garantía por los eventuales daños indirectos, secundarios, resultantes o especiales de ningún tipo derivados del uso o la imposibilidad de uso de este equipo.

Restricciones a la garantía

La garantía cubre los fallos debidos a la fabricación y los materiales en un equipo de ejercicio que esté en su ensambladura original. La garantía cubre solamente defectos que se manifiesten durante un uso normal, conforme a las instrucciones dadas en la guía suministrada con el equipo, a condición de que se hayan observado las instrucciones de montaje, mantenimiento y utilización proporcionadas por Tunturi. Tunturi New Fitness BV y los distribuidores Tunturi no pueden responder de fallos ocasionados por circunstancias ajenas a su control. La presente garantía sólo es válida para el comprador original del equipo de ejercicio y tiene vigencia solamente en los países en los que Tunturi New Fitness BV cuenta con un importador autorizado. La garantía no cubre los equipos de ejercicio o sus partes que hayan sido modificados sin el consentimiento previo de Tunturi New Fitness BV. La garantía no cubre fallos derivados del desgaste normal, de un uso indebido, de su uso en condiciones para las que el equipo no ha sido concebido, corrosión o daños sufridos durante la carga o el transporte.

La garantía no cubre los sonidos o ruidos emitidos durante el uso que no impidan de forma sustancial la utilización del equipo y que no estén provocados por un fallo del mismo

La garantía no cubre las actividades de mantenimiento tales como limpieza, lubricación o el ajuste normal de las piezas, ni los procedimientos de instalación que el cliente pueda realizar por sí mismo y que no requieran un desmontaje / montaje especial del equipo de ejercicio. Estos procedimientos son, por ejemplo, el cambio de contadores, pedales o de otras piezas simples similares. No se reembolsarán las reparaciones realizadas durante el periodo de garantía por agentes no autorizados por Tunturi. Si no se siguen adecuadamente las instrucciones dadas en el Manual del Propietario se invalidará la garantía del producto.

Declaración del fabricante

Tunturi New Fitness BV declara que el producto es conforme con las siguientes normas y directivas: EN 957 (HB), 89/336/CEE. Por tanto, el producto dispone de marcado CE.

05-2018

Tunturi New Fitness BV
Purmerweg 1
1311 XE Almere
The Netherlands

Descargo de responsabilidad

© 2018 Tunturi New Fitness BV
Reservados todos los derechos.

El producto y el manual están sujetos a cambios. Las especificaciones pueden cambiarse sin previo aviso.

På svenska

Denna handbok är en översättning av den engelska texten. Vi förbehåller oss rätten till eventuella översättningsfel. Den engelska originaltexten råder.

Index

Datos técnicos	60
Garantía	60
Declaración del fabricante	61
Descargo de responsabilidad	61
Roddmaskin	62
Säkerhetsvarningar	62
Beskrivning (fig. A)	63
Förpackningens innehåll (fig. B&C)	63
Montering (fig. D)	63
Dra åt skruvar och muttrar	63
Justera tankvattennivån (fig. E-3)	63
Avlägsna vatten från tanken (fig. E-4)	64
Vattenbehandling	64
Träning	64
Övning Instruktioner	64
Hjärtfrekvens	65
Användning	66
Justera motståndet	66
Justering av fotplattor	66
Hur man rör	66
Panel (fig. E)	67
Förklaring av displayfunktioner	67
Förklaring av knappar	67
Drift.....	68
Program	68
Manuellt läge	68
Intervalläge	68
Målläge..	68
Rengöring och underhåll	69
Vatten förändras färg eller blir grumligt	69
Byta ut batterier	69
Sitsrullarna börjar låta (Fig. E-2).	69
Fel och funktionsstörningar	69
Transport och lagring	70
Ytterligare information	70
Teknisk information	70
Garanti	70
Försäkran från tillverkaren	
Friskrivning	
Soutulaite	71

Roddmaskin

Välkommen till Tunturi Fitness värld!

Tack för att du köpte denna utrustning från Tunturi.

Tunturi erbjuder ett stort utbud av professionell träningsutrustning, exempelvis crosstrainers, löpband, träningscyklar och roddmaskiner. Utrustning från Tunturi passar hela familjen, oavsett träningsnivå. Mer information finns på vår webbplats, www.tunturi.com

Viktiga instruktioner om säkerhet

Läs noga igenom denna handbok innan du monterar,, använder eller reparerar ditt nya träningsredskap. Spara denna handbok; den innehåller information som du behöver nu och i framtiden för att använda och underhålla ditt redskap. Följ alltid dessa instruktioner noggrant.

Säkerhetsvarningar**VARNING**

- Läs säkerhetsvarningarna och instruktionerna. Om inte säkerhetsvarningarna och instruktionerna följs kan det medföra skador på personer eller utrustningen. Behåll säkerhetsvarningarna och instruktionerna för framtida bruk.

**VARNING**

- System för övervakning av hjärtfrekvensen är inte alltid exakta. Överträning kan medföra allvarlig skada eller död. Sluta omedelbart att träna om du känner dig svag.

- Utrustningen är endast anpassad för hemmabruk. Utrustningen är inte anpassad
- Maximal användning är begränsad till 3 timmar per dag.
- Om utrustningen används av barn eller personer med fysiska, sensoriska, mentala eller motoriska handikapp, eller som saknar erfarenhet och kunskap, kan detta medföra risker. Personer som är ansvariga för deras säkerhet måste ge tydliga instruktioner, eller övervaka användningen av utrustningen.
- Innan du påbörjar din träning, uppsök en läkare som kan kontrollera din hälsa.
- Om du upplever illamående, yrsel eller andra onormala symptom, avsluta genast din träning och kontakta en läkare.
- Börja varje träningspass med att värma upp och avsluta varje träningspass med nedvarvning för att undvika muskelsmärter och sträckningar. Kom ihåg att stretcha i slutet av träningen.

- Utrustningen är endast anpassad för användning inomhus. Utrustningen är inte anpassad för användning utomhus.
- Använd endast utrustningen i miljöer med god ventilation. Använd inte utrustningen i dragiga miljöer för att undvika att bli förkyld.
- Använd endast utrustningen i miljöer med temperatur mellan 10 °C och 35 °C. Förvara endast utrustningen i miljöer med temperatur mellan 5 °C och 45 °C.
- Använd inte och förvara inte utrustningen i fuktig miljö. Luftfuktigheten får aldrig överstiga 80%.
- Använd endast utrustningen för dess avsedda ändamål. Använd inte utrustningen för andra ändamål än de som beskrivs i handboken.
- Använd inte den här utrustningen om någon del är trasig eller skadad. Om någon del är trasig eller skadad, kontakta din återförsäljare.
- Håll undan händer, fötter och andra kroppsdelar från de rörliga delarna.
- Håll undan håret från de rörliga delarna.
- Bär passande kläder och skor.
- Håll undan kläder, smycken och andra föremål från de rörliga delarna.
- Låt bara en person åt gången använda utrustningen. Utrustningen får inte användas av personer som väger mer än 135 kg (300 lbs).
- Öppna inte utrustningen utan att kontakta din återförsäljare.

Beskrivning (fig. A)

Din roddmaskin är en stationär träningsmaskin som används för att simulera rodd utan att orsaka kraftigt tryck på lederna.

Förpackningens innehåll (fig. B&C)

- Förpackningen innehåller delarna som visas i fig. B.
- Förpackningen innehåller de fästdon som visas i fig. C. Se avsnittet "Beskrivning".



ANMÄRKNING

- Om någon del saknas, kontakta din återförsäljare.

Montering (fig. D)



VARNING

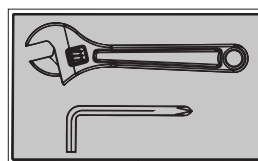
- Montera utrustningen i angiven ordning.
- Var två om att bära och förflytta utrustningen.



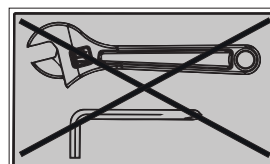
OBS.

- Placera utrustningen på en stabil och jämn yta.
 - Placera utrustningen på en skyddande grund för att förhindra att golvet skadas.
 - Lämna åtminstone 100 cm fritt runt utrustningen.
- Illustrationerna visar det korrekta sättet att montera utrustningen.

Dra åt skruvar och muttrar



Spänn fast alla skruvar och muttrar ordentligt efter att alla komponenter har monterats i det aktuella och föregående stegen.



Dra inte åt alla skruvar och muttrar i detta steg.



ANMÄRKNING

- Spara verktygen som följer med denna produkt när monteringen är klar så att du kan använda dem för framtida servicearbeten.

Justera tankvattennivån (fig. E-3)

- Ta bort gummistanken från tankens topp.
- Placera en stor hink vatten bredvid roveren och placera sifongen med den styva slangen i hinken och den flexibla slangen i tanken enligt bilden. Se till att den lilla andningsventilen på toppen av sifongen är stängd före fyllning.



NOTE

- 17 liter vatten krävs för maximal fyllning.
- Där vattenkvaliteten är dålig rekommenderar vi att du använder destillerat vatten.
- Att lägga hinken högre än tanken gör att sifongen kan "självpumpa" när vatten läggs till tanken.
- Överväg att använda en handduk under hinken och vattentanken förhindrar fläckar på golvet.

**VARNING**

- Om vattennivån fylls över Maximal nivå kan det leda till vattenläckage under träning.
- Börja fylla tanken genom att klämma i sifonen. Använd nivåmätarens dekal på sidan av tanken för att mäta volymen vatten i tanken.
- Efter att tanken har fyllts till önskad vattennivå öppnar du ventilen på toppen av sifongen för att överflöd av vatten ska kunna rinna ut.
- Se till att tankkontakten byts ut en gång påfyllning och vattenbehandling är avslutad.

Avlägsna vatten från tanken (fig. E-4)

- Ta bort tankpluggen.
- Sätt in den styva slangens ände i tanken
- Sätt i syphonens flexibla slangänden i en stor hink.
- Töm tanken (ca 20% av vattnet kvarstår i tanken. Det är inte möjligt att tömma tanken helt utan att demontera tanken)
- Fyll på tanken enligt anvisningarna som beskrivs under avsnittet "Fyllning av tanken" i denna bruksanvisning.

**NOTE**

- The valve on top of the siphon must be closed to allow proper drainage.
- If the water treatment schedule is maintained, it will not be necessary to change the water inside the tank. An additional water treatment tablet is only required when discolouration of the water appears.
- Exposure to sunlight affects the water. Moving the rower away from direct sunlight will extend time between water treatments.

Vattenbehandling

Lägg till en vattenbehandlingstablett.
Lägg till en vattenbehandlings tablett när vattnet uppträder smutsigt eller grumligt över tid.

**VARNING**

- Använd endast de Tunturi-medlevererade vattenbehandlingstabletterna.

Träning

Träningen måste vara lagom lätt, men hålla på länge. Aerobisk träning är till för att förbättra kroppens maximala syreupptag, vilket förbättrar uthålligheten och konditionen. Du ska svettas, men du ska inte bli andfådd under träningen. För att uppnå och behålla en grundkondition, träna åtminstone tre gånger i veckan, 30 minuter åt gången. Öka antalet träningspass för att förbättra din kondition. Det är bra att kombinera regelbunden träning med hälsosam kost. En person som har bestämt sig för att banta bör träna dagligen, 30 minuter eller mindre till en början och sedan öka den dagliga träningstiden till en timme. Börja din träning i låg hastighet och med lågt motstånd för att förhindra att hjärtkärlsystemet utsätts för kraftig belastning. När konditionen förbättras, kan hastigheten och motståndet ökas gradvis. Din tränings effektivitet kan mätas genom att kontrollera din hjärtfrekvens och din puls.

Övning Instruktioner

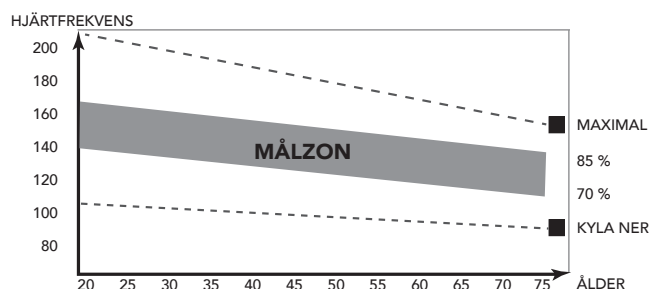
Användningen av ditt träningsredskap kommer att ge dig många fördelar; det kommer att förbättra din fysiska kondition, tona musklerna och tillsammans med en kalorikontrollerad diet hjälpa dig att gå ned i vikt.

Uppvärmningsfasen

Denna fas får blodet att börja pumpa runt i kroppen och förbereder musklerna på aktivitet. Den minskar även risken för kramp och muskelskada. Det är tillrådligt att göra några stretchövningar som visas nedan. Varje stretchövning ska hållas i ungefär 30 sekunder. Tvinga eller tryck inte in musklerna i en stretchövning. Om det gör ont, SLUTA

Träningsfasen

Detta är fasen där du jobbar. Efter regelbunden användning, kommer musklerna i dina ben att bli mer flexibla. I denna fas är det mycket viktigt att bibehålla ett jämnt tempo från början till slut. Ansträngningsnivån ska vara tillräcklig för att höja din puls till målzonen som visas i nedanstående figur



Denna fas bör pågå i minst 12 minuter, även om de flesta börjar med ungefär 15-20 minuter.

Nedvarningsfasen

Under denna fas får ditt kardiovaskulära system och dina muskler varva ned.

Den är en upprepning av uppvärmningsövningen, t.ex. minska ditt tempo, fortsatt i ca 5 minuter. Stretchövningarna ska nu upprepas. Kom ihåg att inte tvinga eller trycka in musklerna i stretchövningen. När du blir mer vältränad, kan du träna längre och hårdare. Vi rekommenderar att träna minst tre gånger i veckan, och, om möjligt, fördela dina träningstillfällen jämnt under hela veckan.

Muskeltoning

För att tona musklerna när du använder träningsredskapet, måste du ställa in en ganska hög belastning. Detta belastar benmusklerna mer och kan innebära att du inte kan träna så länge som du vill. Om du även försöker förbättra din kondition, måste du ändra ditt träningsprogram. Du bör träna som vanligt under uppvärmnings- och nedvarningsfaserna, men mot slutet av träningsfasen kan du öka belastningen så att dina ben får jobba hårdare. Du måste minska hastigheten för att hålla pulsen i målzonen.

Viktminskning

Den viktigaste faktorn här är hur mycket du anstränger dig. Ju hårdare och längre du tränar, desto fler kalorier bränner du. Detta är i princip detsamma som om du tränade för att förbättra din kondition, skillnaden är målet.

Hjärtfrekvens

Hjärtfrekvensmätning (pulsbälte)

Den mest exakta mätningen av hjärtfrekvensen uppnås med ett pulsbälte. Hjärtfrekvensen mäts av en hjärtfrekvensmottagare i kombination med ett pulsbälte med sändare.

Korrekt pulsmätning kräver att elektroderna på sändarbältet är en aning fuktiga och i ständig kontakt med skinnet. Om elektroderna är för torra eller för fuktiga kan pulsmätningen bli mindre exakt.



VARNING

- Kontakta en läkare innan du använder ett pulsbälte om du har pacemaker.



OBS.

- Om det finns flera enheter för hjärtfrekvensmätning bredvid arandra, kontrollera att avståndet mellan dem är minst 2 meter.
- Om det bara finns en hjärtfrekvensmottagare och flera hjärtfrekvenssändare, kontrollera att bara en person med sändare är inom mottagningsområdet.



ANMÄRKNING

- Bär alltid pulsbeltet under dina kläder, i direktkontakt med huden. Bär inte pulsbeltet utanpå kläderna. Om du bär pulsbeltet utanpå kläderna kommer det inte att bli någon signal.
- Om du har ställt in en begränsning av hjärtfrekvensen för din träning, kommer ett larm att ljuda när den överskrids.
- Sändaren sänder hjärtfrekvensen till panelen upp till ett avstånd på 1,5 meter. Om elektroderna inte är fuktiga, kommer inte hjärtfrekvensen att visas på displayen.
- Vissa klädfibrer (t.ex. polyester eller polyamid) skapar statisk elektricitet som kan förhindra en korrekt mätning av hjärtfrekvensen.
- Mobiltelefoner, tv-apparater och andra elektriska apparater skapar ett elektromagnetiskt fält som kan förhindra en korrekt mätning av hjärtfrekvensen.

Maximal hjärtfrekvens (under träning)

Den maximala hjärtfrekvensen är den högsta hjärtfrekvens en person säkert kan få vid träning. Följande formel används för att beräkna den genomsnittliga maximala hjärtfrekvensen: $220 - \text{ÅLDER}$. Den maximala hjärtfrekvensen varierar från person till person.



VARNING

- Kontrollera att du inte överskrider din maximala hjärtfrekvensen under din träning. Kontakta en läkare om du tillhör en riskgrupp.

Nybörjarnivå 50-60% av den maximala hjärtfrekvensen

Passar nybörjare, viktväktare, konvalescenter och personer som inte har tränat på länge. Träna åtminstone tre gånger i veckan, 30 minuter åt gången.

Avanceradnivå 60-70% av den maximala hjärtfrekvensen

Passar personer som vill förbättra och underhålla konditionen. Träna åtminstone tre gånger i veckan, 30 minuter åt gången.

Expert 70-80% av den maximala hjärtfrekvensen

Passar de mest vältränade, som är vana vid långa och tunga träningspass.

Användning

Justera stödfötterna

Utrustningen är utrustad med 2 stödfötter. Om utrustningen inte är stabil, kan stödfötterna justeras..

- Vrid stödfötterna för att placera utrustningen i en stabil position.
- Vrid åt låsmutterna för att låsa stödfötterna.



ANMÄRKNING

- Maskinen är i maximalt stabilt läge när alla stödfötter vrids helt inåt. örja därför att placera maskinen helt plant genom att vrida alla stödfötter helt inåt, innan du vrider ut de nödvändiga stödfötterna för att stabilisera maskinen.

Justera motståndet

För att öka eller minska motståndet, justera vattennivån.

- Mer vatten är mer motstånd.
- Mindre vatten är mindre motstånd.

Skalan på vattentanken hjälper dig att hitta och ställa in ett lämpligt motstånd.

Justering av fotplattor

- Lyft den främre delen av fotplattan och justera uppåt resp neråt.
Symboler A ~ F representerar en enkel guide vilken kan användas för att bestämma korrekt längd.
- Fastsätt plattan mot fixeringsplattan och tryck mjukt neråt för att låsa positionen.



VARNING

- Använd aldrig denna roddmaskin utan att först ha fixerat fötterna ordentligt, eller utan att justeringsdelen av fotplattorna är ordentligt fastsatt.

Hur man rör



Hämta

Böj framåt med raka armar och rak rygg..

	Upstart Tryck ifrån med benen medan armarna fortsätter vara raka
	Avslut Dra bakåt med armarna och benen och gunga bakåt med höfterna..
	Retur Överkroppen faller framåt över höfterna i en rörelse framåt.
	Hämta Återvänd till startpositionen och börja om med rörelsen

Hämta - Upstart

Påbörja draget i främre position och tryck kraftigt bakåt med benen medan armarna och ryggen behålls raka.

Avslut

Börja att dra armarna bakåt när de passerat knäna och fortsatt med draget bakåt över höfterna.

Retur

Återvänd till startpositionen och återupprepa rörelsen



VARNING

- Konsultera din läkare innan du inleder ditt träningsprogram.
- Om du känner dig illamående, får svindel eller uppvisar andra onormala symtom under träningen, skall du omedelbart avbryta träningen och vända dig till din läkare.

Panel (fig. E)



OBS

- Skydda panelen från direkt solljus.
- Torka av panelens yta när den är täckt av svett droppar.
- Luta dig inte mot panelen.

- Vidrör endast displayen med din fingertopp. Var noga med att inte dina naglar eller vassa föremål vidrör displayen.



ANMÄRKNING

- Panelen övergår till viloläge när utrustningen inte har använts på 4 minuter.

Förklaring av displayfunktioner

Time

- Om ett målvärde inte ställs in, kommer tiden att räkna uppåt.
- Om ett målvärde ställs in, kommer tiden att räknas ned från ditt målvärde till 0 och ett larm kommer att låta eller blinka.
- Om monitorn inte tar emot någon signal i 4 sekunder under träning, STOPPAR tiden
- Displayintervall: 0:00~99:59
- Målintervall: 0:00~99:00 (± 01:00)

Time/ 500M

Visar tiden som behövs för att köra 500 meters distans, baserad på aktuell roddintensitet.

Distance

- Om ett målvärde inte ställs in, kommer distansen att räkna uppåt.
- Om ett målvärde ställs in, kommer distansen att räknas ned från din måldistans till 0 och ett larm kommer att låta eller blinka.
- Visningsintervall 0~9999
- Målintervall: 10 ~ 9990 (± 10)

Calories

- Om ett målvärde inte ställs in, kommer kalorier att räkna uppåt.
- Om ett målvärde ställs in, kommer kalorier att räknas ned från ditt målvärde till 0 och ett larm kommer att låta eller blinka.
- Displayintervall: 0~9990.
- Målintervall: 10 ~ 9990 (± 10)



OBS

- Dessa data är en grov indikation för jämförelse av olika träningspass som inte kan användas vid medicinsk behandling

Pulse

- Aktuell puls visas efter 6 sekunder när den detekteras av konsolen.
- Utan någon pulssignal i 6 sekunder kommer konsolen att visa "P".
- Pulsalarmet kommer att låta när aktuell puls är över målpulsen.
- Displayintervall: 0 ~ 230 BPM
- Målintervall: 30 ~ 230 BPM (± 10)

SPM

- "SPM" är Roddtag per minut och visar genomsnittligt antal roddtag per minut under träning.
- Displayintervall: 0 ~ 999

Strokes

- Om ett målvärde inte ställs in, kommer roddtag att räkna uppåt.
- Om ett målvärde ställs in, kommer roddtag att räknas ned från din måldistans till 0 och ett larm kommer att låta eller blinka. (Under nedräkning visas "Återstående")
- Displayintervall: 0 ~ 9999
- Målintervall: 10 ~ 9990 (± 10)

Total Strokes

- Visar det totala antalet roddtag för alla träningspass.
- Detta värde kan inte återställas, annat än genom att byta batterierna.
- Displayintervall: 0 ~ 9999

Förklaring av knappar

Set

- Tryck på SET-knappen för att välja funktioner: MANUAL, INTERVAL, TARGET
- Tryck på SET-knappen för att öka värdet. Håll knappen nedtryckt för att öka värdet snabbare.
- TIME inställningsintervall: 00:00~99:00 (±1:00)
- STROKES inställningsintervall: 0~9990 (± 10)
- DIST inställningsintervall: 0~9990 (± 10)
- KAL inställningsintervall: 0~9990 (± 10)
- PULSE inställningsintervall: 30~230 (± 1)

Mode

- Tryck på Mode-knappen att välja konsolfunktioner
- I driftläge, tryck på Mode för att stoppa/pausa träningspasset.
- I STOP-läge, tryck på Mode-knappen för att fortsätta träna.

Reset

- I inställningsläge, tryck på RESET-knappen en gång för att återställa de aktuella funktionssiffrorna.
- I STOP-läge, tryck en gång på RESET-knappen för att återställa träningsläge och återgå till programmeringsläge.
- Tryck och håll ned RESET-knappen i 2 sekunder för att återställa alla funktionssiffror, och starta om konsolen.

Drift

Slå på enheten

- Tryck på valfri knapp för att slå på konsolen när den är i viloläge.
- Börja träna för att slå på konsolen när den är i viloläge.

Slå av enheten

När displayen inte tar emot någon signal i 4 minuter, övergår displayen till viloläge automatiskt. (Aktiva träningsdata kommer att gå förlorade)



VARNING

- Vi rekommenderar att batterierna tas ut ur konsolen när utrustningen inte används under en längre tid.

Program

Manuellt läge

- Tryck på "Mode"-knappen för att öppna programvalsläge, välj "Manual" med "Set"-knappen och bekräfta genom att trycka på "Mode".

Intervalläge

- Tryck på "Mode"-knappen för att öppna programvalsläge, välj "Interval" med "Set"-knappen och bekräfta genom att trycka på "Mode".
- Tryck på "Set"-knappen för att välja 10/20, 20/10 eller Custom-läge och bekräfta genom att trycka på "Mode".

Valt 10/20.

- Konsolen visar en 3 sekunders nedräkning för att starta programmet.
 - » Träningstid på 10 sekunder räknas ned till 0.
 - » Vilotid på 20 sekunder räknas ned till 0.
 - » Steg 1 och 2 kommer att upprepas 8 gånger.

Valt 20/10.

- Konsolen visar en 3 sekunders nedräkning för att starta programmet.
 - » Träningstid på 20 sekunder räknas ned till 0.
 - » Vilotid på 10 sekunder räknas ned till 0.
 - » Steg 1 och 2 kommer att upprepas 8 gånger.

Valt Custom

- SET ROUND kommer att blinka, tryck på "Set" knappen för att välja antal programcykler och bekräfta genom att trycka på "Enter". (Intervall 1 ~ 99 ± 1)
- SET WORK kommer att blinka, tryck på "Set" knappen för att ställa in träningstiden och bekräfta genom att trycka på "Enter" (Intervall: 0:05~10:00 min. ± 0:01 sek.)
- SET REST kommer att blinka, tryck på "Set"-knappen för att ställa in vilotiden och bekräfta genom att trycka på "Enter" (Intervall: 0:05~10:00 min. ± 0:01 sek.)
- Konsolen visar en 3 sekunders nedräkning för att starta programmet.
 - » Den förinställda träningstiden kommer att räkna ned till 0.
 - » Den förinställda vilotiden kommer att räkna ned till 0.
 - » Steg 1 och 2 kommer att upprepas i antalet förinställda cykler.

Målläge

- Tryck på "Mode"-knappen för att öppna programvalsläge, välj "TARGET" med "Set"-knappen och bekräfta genom att trycka på "Mode".

Tidmål.

För att ställa in tidmål tryck på "Mode"-knappen. Ställ in tidmål genom att trycka på "Set"-knappen. (Mål: 0:00~99:00 min. ± 1:00 min.)

Roddtagnmål.

För att ställa in roddtagmål tryck på "Mode"-knappen. Ställ in roddtagmål genom att trycka på "Set"-knappen. (Mål: 10~9990 min. ± 10.)

Pulsmål.

För att ställa in pulsmål tryck på "Mode"-knappen. Ställ in pulsmål genom att trycka på "Set"-knappen. (Mål: 30~230 min. ± 1.)

Kalorimål.

För att ställa in kalorimål tryck på "Mode"-knappen. Ställ in kalorimål genom att trycka på "Set"-knappen. (Mål: 10~9990 min. ± 10.)

Distansmål.

För att ställa in distansmål tryck på "Mode"-knappen. Ställ in distansmål genom att trycka på "Set"-knappen. (Mål: 10~9990 min. ± 10.)

När önskat mål är inställt kommer konsolen att starta träningspasset. Målvärdet räknas ned, alla andra parametrar kommer att räknas upp.

**OBS**

- Det är inte möjligt att ställa in mer än ett mål.

Rengöring och underhåll

**VARNING**

- Använd inte lösningsmedel för att rengöra utrustningen.
- Rengör utrustningen med en mjuk och absorberande trasa efter varje användning.
- Kontrollera regelbundet att alla skruvar och muttrar är åtdragna.
- Smörj vid behov.

Vatten förändras färg eller blir grumligt

Möjlig orsak:

Rower är i direkt solljus eller har inte haft vattenbehandling.

Lösning:

- Byt plats för router-tränare för att minska direkt exponering för solljus.
- Lägg till vattenbehandling eller byt tankvatten enligt anvisningarna i avsnittet om vattenbehandling i denna bruksanvisning.

Byta ut batterier

Panelen är utrustad med 2 AA-batterier på panelens baksida.

- Avlägsna luckan.
- Avlägsna de gamla batterierna.
- Sätt i de nya batterierna. Försäkra dig om att batterierna är rätt placerade mot (+) och (-) polerna.
- Montera luckan.

Sitsrullarna börjar låta (Fig. E-2).

Om sitsrullarna börjar låta (gnissla) rekommenderas att man applicerar en droppe silikonsmörjmedel på rännan där rullarna löper under träningen.

**OBS**

- Applicera inte för mycket smörjmedel eftersom detta kommer att resultera i en halkig känsla.

Fel och funktionsstörningar

Trots ständigt kvalitetskontroller, kan fel och funktionsstörningar inträffa som orsakas av enstaka delar. I de flesta fallen räcker det med att byta ut den felaktiga delen.

- Om utrustningen inte fungerar korrekt, kontakta omedelbart återförsäljaren.
- Lämna utrustningens modellnummer och serienummer till återförsäljaren. Ange problemets art, förhållanden vid användning och inköpsdatum.

Felsökning:

- Om LCD-displayen lyser svagt betyder det att batteriet måste bytas ut.
- Om det inte kommer någon signal när du trampar måste du kontrollera om kabeln sitter i riktigt.

**OBS!**

- Om träningen stoppas i 4 minuter slocknar huvudskärmen.
- Om datorn uppvisar onormala värden, sätt i batteriet på nytt och försök igen.

Transport och lagring

**VARNING**

- Var två om att bära och förflytta utrustningen.
- Förflytta utrustningen försiktigt över ojämna ytor. Förflytta inte utrustningen till övervåningen med hjulen, utan bär utrustningen med handtagen.
- Förvara utrustningen på en torr plats med så liten temperaturvariation som möjligt.

Ytterligare information

Bortskaffande av förpackning

Riktlinjer från myndigheter uppmanar att vi minskar mängden avfall som placeras i deponier. Vi ber dig därför att bortskaffa allt förpackningsavfall på ett ansvarsfullt sätt på allmänna återvinningscentraler.

Bortskaffande av uttjänt redskap

Vi på Tunturi hoppas att du får många års trevlig användning av ditt träningsredskap. Men det kommer en tid när ditt träningsredskap är uttjänt. Enligt den europeiska WEEE-lagstiftningen, ansvarar du för korrekt bortskaffande av ditt träningsredskap på en allmän återvinningsanläggning.

Teknisk information

Parameter	Måttenhet	Värde
Längd	cm inch	228.0 89.8
Bredd	cm inch	56.0 21,9
Höjd	cm inch	65.6 25,8
Vikt	kg lbs	50.4 111,0
Max användarvikt	kg lbs	135 300
Batteristorlek		AA

Garanti

Tunturis ágargarantitunt

Garantivillkor

Konsumenten har rätt att tillämpa de nationellt lagstadgade rättigheterna gällande konsumentvaror och denna garanti begränsar inte dessa rättigheter. Ägargarantin är giltig endast om Tunturis träningsredskap används i de miljöer som tillåts enligt Tunturi. Vilka miljöer som är tillåtna står i träningsredskapets bruksanvisning.

Garantivillkor

Garantivillkoren börjar att gälla från inköpsdatumet. Garantivillkoren kan variera mellan olika länder. Kontakta en lokal återförsäljare om garantivillkoren.

Garantins omfattning

Oavsett omständigheter, ansvarar inte Tunturi New Fitness BV eller Tunturis återförsäljare för uppkomna personskador som påverkar köparen, och som innebär inkomstförlust eller andra ekonomiska följdverkningar.

Gegränsningar i garantin

Garantin gäller för arbets- och materialfel, förutsatt att redskapet är i originalmonterat skick. Garantin gäller endast fel som uppstår vid normalt bruk och då den använts enligt Tunturis instruktioner gällande montering, skötsel och användning.

Tunturi New Fitness BV och Tunturis återförsäljare ansvarar ej för fel som uppkommer utanför deras kontroll.

Garantin gäller endast redskapets ursprungliga ägare och är gällande endast i de länder där det finns en godkänd Tunturi New Fitness BV återförsäljare.

Garantin gäller ej för redskap eller delar som har ändrats utan Tunturi New Fitness BV:s godkännande. Garantin gäller ej för fel som beror på normalt slitage, felaktig användning, användning i förhållanden som inte är avsett för redskapet, korrosion eller lastnings- och transportskador.

Garantin täcker inte ljud som uppstår under användning såvida dessa inte väsentligt hindrar utrustningens användning eller har orsakas av ett fel i utrustningen. Garantin gäller inte för underhållsarbete, som rengöring, smörjning eller normal kontroll av komponenterna och inte heller för monteringsarbete som kunden själv kan göra och som inte kräver att redskapet plockas isär/sätts ihop. Det gäller till exempel byte av mätare, trampor eller andra motsvarande enkla delar. Garantireparationer utförda av andra än en godkänd Tunturi-representant, ersätts inte. Ifall instruktionerna i manualen inte följs upphävs produktens garanti.

Försäkran från tillverkaren

Tunturi New Fitness BV försäkrar att produkten uppfyller följande standarder och direktiv: EN 957 (HB), 89/336/EEG. Produkten är därför CE-märkt.

05-2018

Tunturi New Fitness BV
Purmerweg 1
1311 XE Almere
Nederländerna

Friskrivning

© 2018 Tunturi New Fitness BV
Alla rättigheter förbehållna.

Produkten och handboken kan komma att ändras. Specifikationer kan ändras utan förvarning.

Suomeksi

Tämä suomennettu käyttöohje on käännetty Englannin kielestä. Pidätämme oikeudet mahdollisiin käännösvirheisiin. Käännös tehty virallisen, englanninkielisen version pohjalta.

Sisältö

Turvallisuusvaroitukset	71
Kuvaus (kuva. A.)	72
Pakkauksen sisältö (kuva. B & C)	72
Kokoonpano (kuva. D)	72
Kiinnitä mutterit ja pultit	72
Säiliön vesitason säätäminen	72
Vesisäiliön täyttö (kuva. E-3)	72
Vesisäiliön tyhjennys (kuva E-4)	73
Vedenkäsittely	73
Harjoitukset	73
Ohjeita harjoittelua varten	73
Syke	74
Käyttö	75
Säädä vastus	75
Jalkatukiensäätäminen	75
Soutaminen	75
Ohjauspaneeli (kuva. E)	76
Näytön toimintojen selitykset	76
Painikkeiden selitykset	76
Toiminto.	77
Ohjelmat	77
Manuaalinen tila	77
Intervalliohjelma MODE	77
Tavoitetila	77
Puhdistus ja huolto	78
Vesi värjäytyy tai näyttää samealta.	78
Paristojen vaihto	78
Istuimen rullat muuttuvat äänekkäiksi (Kuva. E-2).	78
Viat ja häiriöt	78
Kuljetus ja säilytys	79
Lisätietoa laitteen omistajalle	79
Tekniset tiedot	79
Takuu	79
Valmistajan vakuutus	
Vastuuvapauslauseke	

Soutulaite

Tervetuloa Tunturi Fitness -maailmaan!

Kiitämme sinua tämän Tunturi-laitteen ostosta. Tunturi tarjoaa laajan valikoiman ammattimaisia kuntoilulaitteita, mukaan lukien crosstrainerit, juoksumatot, kuntopyörät ja soutulaitteet.

Tunturi-laite sopii koko perheelle kuntotasosta riippumatta. Katso lisätiedot verkkosivuiltamme www.tunturi.com

Tärkeitä turvallisuusohjeita

Tämä opas on olennainen osa kuntolaitettasi. Perehdy ohjeisiin huolellisesti ennen kuin asennat, käytät tai huollat kuntolaitettasi. Sinun tulee ehdottomasti säilyttää tämä opas, sillä jatkossa se opastaa Sinua niin kuntolaitteesi tehokkaaseen käyttöön kuin huoltoonkin. Muista aina noudattaa tämän oppaan ohjeita.

Turvallisuusvaroitukset



VAROITUS

- Lue turvallisuusvaroitukset ja -ohjeet. Turvallisuusvaroitusten ja -ohjeiden jättäminen noudattamatta voi aiheuttaa henkilön loukkaantumisen tai laitevaurion. Säilytä turvallisuusvaroitukset ja -ohjeet myöhempää käyttöä varten.



VAROITUS

- Sykkeenvälöntäjäjärjestelmät saattavat olla epätarkkoja. Liiallinen harjoittelu saattaa aiheuttaa vakavia vammoja tai kuoleman. Jos tunnet olosi heikoksi, lopeta harjoittelu heti.
- Laite on sopiva vain kotikäyttöön. Laite ei ole sopiva kaupalliseen käyttöön.
- Enimmäiskäyttö on rajoitettu 3 tuntiin päivässä
- Tämän laitteen käyttö lasten tai fyysisesti, aistillisesti, henkisesti, tai liikunnallisesti rajoittuneiden, tai kokemukseltaan ja tiedoiltaan puutteellisten henkilöiden toimesta voi aiheuttaa vaaratilanteita. Heidän turvallisuudestaan vastuussa olevien henkilöiden on annettava selkeät ja tarkat ohjeet laitteen käytöstä ja valvottava laitteen käyttöä.
- Ennen harjoituksen aloittamista ota yhteys lääkäriin terveystarkastusta varten.
- Jos sinulla on pahoinvointia, huimausta, tai muita epätavallisia oireita, lopeta välittömästi harjoitus ja ota yhteys lääkäriin.
- Vältä lihaskipuja ja venähdyksiä aloittamalla jokainen harjoitus lämmittelyjaksolla ja päätä jokainen harjoitus jäähdyttelyjaksolla. Muista venytellä harjoittelun lopuksi.

- Laite on sopiva vain sisäkäyttöön. Laite ei ole sopiva ulkokäyttöön.
- Käytä laitetta riittävällä tuuletuksella varustetuissa tiloissa. Älä käytä laitetta vetoisissa tiloissa välttääksesi kylmettymisen.
- Käytä laitetta vain ympäristölämpötilassa 10 °C - 35 °C. Säilytä laitetta vain ympäristölämpötilassa 5 °C - 45 °C.
- Älä käytä tai säilytä laitetta kosteissa tiloissa. Ilmankosteus ei saa koskaan olla yli 80 %.
- Käytä laitetta vain sen aiottuun tarkoitukseen. Älä käytä laitetta muihin, kuin tässä käyttöoppaassa esitettyihin tarkoituksiin.
- Älä käytä laitetta, jos sen jokin osa on vaurioitunut tai viallinen. Jos osa on vaurioitunut tai viallinen, ota yhteys jälleenmyyjään.
- Pidä kätesi, jalkasi ja kehon muut osat pois liikkuvista osista.
- Pidä hiuksesi pois liikkuvista osista.
- Käytä asianmukaista vaatetusta ja kenkiä.
- Pidä vaatteet, korut ja muut esineet pois liikkuvista osista.
- Varmista, että vain yksi henkilö kerrallaan käyttää laitetta. Yli 135 kg (300 lbs) ainava henkilö ei saa käyttää laitetta.
- Älä avaa laitetta ilman yhteydenottoa jälleenmyyjäsi.

Kuvaus (kuva. A.)

Soutulaitteesi on paikallaan pysyvä kuntoilulaite, jota käytetään simuloimaan soutua ilman liiallista rasitusta niveliin.

Pakkauksen sisältö (kuva. B & C)

- Pakkaus sisältää kuvassa B näytetyt osat.
- Pakkaus sisältää kuvassa C näytetyt kiinnittimet. Katso "Kuvaus"-osiota.



ILMOITUS

- Jos osa puuttuu, ota yhteys jälleenmyyjään.

Kokoonpano (kuva. D)



VAROITUS

- Kokoonpane laite esitetyssä järjestyksessä.
- Vähintään kahden henkilön on kannettava ja siirrettävä laitetta.



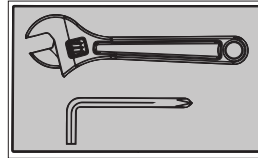
HUOMAUTUS

- Sijoita laite kovalle, tasaiselle alustalle.
- Asettakaa laite suojalustalle lattiapinnan vaurioiden estämiseksi.

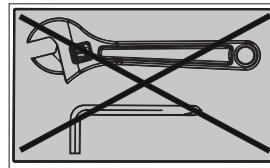
- Varaa vähintään 100 cm tilaa laitteen ympärille.

- Katso piirroksesta laitteen oikea asennus.

Kiinnitä mutterit ja pultit



Kiristä kaikki mutterit ja pultit kunnolla sen jälkeen, kun kaikki osat on asennettu näiden ja edeltävien vaiheiden mukaisesti.



Älä kiristä kaikkia muttereita ja pultteja tässä vaiheessa.



ILMOITUS

- Kun olet suorittanut asennuksen loppuun, pane tämän tuotteen mukana toimitetut työkalut talteen tulevia huoltotöitä varten.

Säiliön vesitason säätäminen

Vesisäiliön täyttö (kuva. E-3)

- Irrota kuminen korkki säiliön yläosasta.
- Aseta suuri vesiämpäri soutulaitteen viereen. Aseta sifonin jäykkä pää ämpäriin ja joustava pää säiliöön kuten kuvassa. Varmista, että sifonin yläosan pieni ilmaventtiili on suljettu ennen täyttöä



ILMOITUS

- Säiliöön mahtuu 17 litraa vettä.
- Jos vesi on huonolaatuista, suosittelemme tislattua veden käyttöä.
- Jos ämpäri on säiliötä korkeammalla, sifoni pumppaa veden tankkiin itsenäisesti. Consider using a towel under the bucket and water tank preventing stains on the floor.
- Välttääksesi lattian tahraantumisen voit käyttää pyyhettä ämpäriin ja säiliön alla.



VAROITUS

- Jos vastussäädintä ei ole asetettu MAX-asentoon ennen säiliön täyttöä, täyttöaste voi olla epätarkka ja vuodot ovat mahdollisia.

- Aloita säiliön täyttö puristamalla sifonia. Arvioi säiliön sivussa olevalla tilavuusmittarilla nykyinen veden määrä.
- Kun vedenpinta on halutulla tasolla, avaa venttiili sifonin päästä, jotta ylimääräinen vesi valuu pois.
- Sulje säiliö korkilla, kun säiliö on täytetty.

Vesisäiliön tyhjennys (kuva E-4)

- Irrota säiliön korkki.
- Aseta sifonin jäykkä pää säiliöön.
- Aseta sifonin joustava pää ämpäriin.
- Tyhjennä säiliö. (n. 40 % vedestä jää säiliöön. Säiliön tyhjennys täysin onnistuu vain, jos säiliö puretaan.)
- Täytä säiliö uudelleen seuraamalla Vesisäiliön täyttö-ohjeita.



ILMOITUS

- Sifonin päässä olevan venttiilin on oltava kiinni, jotta tyhjennys onnistuu.
- Säiliössä olevaa vettä ei tarvitse vaihtaa, jos vedenkäsittelyohjeita on noudatettu. Ylimääräiselle vedenkäsittelytabletille on tarvetta, mikäli vesi näyttää värjäytyneeltä.
- Auringonvalolle altistuminen vaikuttaa veteen. Kun suojaat soutuaitteen suoralta auringonvalolta, vedenkäsittelyä ei tarvitse tehdä niin usein.

Vedenkäsittely

Lisää yksi vedenkäsittelytabletti .
Lisää vedenkäsittelytabletti aina kun vesi näyttää likaiselta tai samealta.



VAROITUS

- Käytä vain Tunturin toimittamia vedenkäsittelytabletteja.

Harjoitukset

Harjoituksen on oltava sopivan kevyt, mutta pitkäkestoinen. Aerobic-harjoitus perustuu kehon maksimi hapenottokyvyn parantamiseen, mikä puolestaan parantaa kestävyttä ja kuntotasoa. Harjoituksen aikana sinun tulisi hikoilla, mutta sinun ei tulisi hengästyä. Harjoittele vähintään kolme kertaa viikossa 30 minuuttia peruskuntotason saavuttamiseksi ja ylläpitämiseksi. Paranna kuntotasoa lisäämällä harjoituskertojen määrää. On hyödyllistä yhdistää säännöllinen harjoitus terveelliseen dieettiin. Dieettiin sitoutuneen henkilön tulisi harjoitella päivittäin,

ensi alkuun korkeintaan 30 minuuttia ja vähitellen lisäten päivittäinen harjoitusaika yhteen tuntiin. Aloita harjoituksesi hitaalla nopeudella ja pienellä vastuksella estääksesi liiallisen rasituksen sydän- verisuonijärjestelmään. Nopeutta ja vastusta voidaan vähitellen lisätä kuntotason parantuessa. Harjoituksesi tehokkuus voidaan mitata seuraamalla sydämesi lyöntinopeutta ja pulssisi nopeutta. Lisää nopeutta ja vastusta vähitellen oman kuntosi mukaan. Pidä pää pystyssä ja kaula suorana välttääksesi stressiä kaulassa, hartioissa ja selässä. Pidä selkäsi suorana. Varmista, että jalkasi ovat keskellä polkimia ja että lantio, polvet, nilkat ja varpaat ovat suoraan eteenpäin. Pidä painosi alaruumiin yläpuolella, huolimatta siitä, nojaatko eteenpäin vai seisotko suorana. Lopeta harjoitusjaksosi vähentämällä nopeutta ja vastusta vähitellen. Muista venytellä harjoittelun lopuksi.

Ohjeita harjoittelua varten

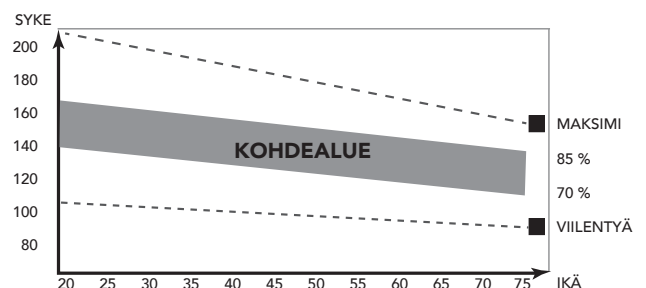
Kuntolaitteen käyttö tarjoaa monia etuja: se parantaa fyysistä kuntoa, kiinteyttää lihaksia ja hallittuun ruokavalion yhdistettynä se auttaa myös pudottamaan painoa.

Lämmittelyvaihe

Tämän vaiheen tarkoituksena on saada veri virtaamaan nopeammin ympäri kehoa ja panna lihakset tekemään työtä. Lämmittely vähentää myös kramppien ja lihasvammojen riskiä. Suosittelemme, että teet muutaman venyttelyharjoituksen alla olevan kuvan mukaisesti. Jokaisen venytyksen tulisi kestää noin 30 sekuntia. Älä tee venytyksiä väkisin tai nykäisten - jos tunnet kipua, LOPETA.

Harjoitteluvaihe

Tämä on se vaihe, jossa ponnistelet. Säännöllisen harjoittelun tuloksena jalkojesi lihakset tulevat joustavammiksi. Tässä vaiheessa on hyvin tärkeää ylläpitää tasaista nopeutta koko ajan. Rasituksen tulisi olla riittävän suuri, jotta sykkeesi nousee tavoitealueelle alla olevan kaavion mukaisesti



Tämän vaiheen tulisi kestää vähintään 12 minuuttia, mutta useimmilla aloittelijoilla se on noin 15-20 minuuttia.

Jäähdyttelyvaihe

Tämän vaiheen tarkoituksena on antaa verenkiertojärjestelmäsi ja lihaksiesi palautua. Jäähdyttelyssä toistetaan lämmittelyvaiheen

harjoitukset vähentämällä ensin nopeutta ja jatkamalla tällä nopeudella noin 5 minuuttia. Toista sitten venyttelyharjoitukset pitäen mielessä, että venytyksiä ei saa tehdä väkisin tai nykäisten.

Kun kuntosi nousee, voit tarvita pidempiä ja raskaampia harjoituksia. On suositeltavaa treenata vähintään kolme kertaa viikossa, ja harjoittelut olisi hyvä jakaa tasaisesti viikon varrelle.

Lihasten kiinteytys

Jos tavoitteesi on lihasten kiinteytys, sinun pitää asettaa vastus suureksi. Silloin jalkojesi lihakset rasittuvat enemmän, etkä ehkä pysty treenaamaan niin pitkään kuin haluaisit. Jos tavoitteesi on myös kunnan kohentaminen, sinun pitää muuttaa harjoitteluohjelmaasi. Harjoittele lämmittely- ja jäähdytelyvaiheissa normaalisti, mutta lisää vastusta harjoitteluvaiheessa, jotta jalkasi joutuvat tekemään enemmän työtä. Vähennä tarvittaessa nopeutta, jotta sykkeesi pysyy tavoitealueella.

Painon pudotus

Ratkaisevaa on se, miten rasittavaa harjoittelu on. Mitä enemmän ja mitä pidempään harjoittele, sitä enemmän poltat kaloreita. Vaikutus on sama kuin jos harjoittelisit kunnan kohentamiseksi, vaikka tavoite on nyt toinen.

Syke

Sykkeiden mittaus (sykevyö)

Tarkin sydämen lyöntinopeus saadaan sykevyöllä. Sykemittaus tapahtuu käyttöliittymän sykevastaanottimen ja sykevyön lähettimen avulla. Tarkka sydänmittaus edellyttää lähetinvyön elektrodien olevan hieman kosteita ja jatkuvassa kosketuksessa ihoon. Jos elektrodit ovat liian kuivia tai liian kosteita, sykkeen mittaus voi olla epätarkempi.



VAROITUS

- Jos sinulla on sydäntahdistin, ota yhteys lääkäriin ennen sykevyön käyttöä.



HUOMAUTUS

- Jos useita sykemittauslaitteita on vierekkäin, varmista, että niiden keskinäinen etäisyys on vähintään 2 metriä.
- Varmistu, että laitteen sykevastaanottimen ja sykevyön lähettimen kantomatkan sisällä ei ole muita lähettäjiä, jotka voisivat aiheuttaa häiriöitä mittauksessa.



ILMOITUS

- Pidä aina sykevyötä vaatteittesi alla suorassa kosketuksessa ihoosi. Älä pidä sykevyötä vaatteittesi päällä. Jos pidät sykevyötä vaatteittesi päällä, signaalia ei ole.

- Jos asetat rajan sydämen lyöntinopeudelle, rajan ylittyessä kuuluu äänihälytys.
- Lähetin lähettää sykkeen korkeintaan 1,5 metrin etäisyydellä olevaan ohjauspaneeliin. Jos elektrodit eivät ole kosteita, sydämen lyöntinopeus ei tule näytölle.
- Jotkin vaatteiden kuidut (esim. polyesteri, polyamidi) synnyttävät staattista sähköä, mikä voi estää tarkan sydämen lyöntinopeuden mittauksen.
- Matkapuhelimet, televisiot ja muut sähkölaitteet luovat sähkömagneettisen kentän, joka voi estää tarkan sydämen lyöntinopeuden mittauksen.

Suurin sallittu sydämen lyöntinopeus (harjoituksen aikana)

Suurin sallittu sydämen lyöntinopeus on suurin lyöntinopeus, jonka henkilö voi turvallisesti saavuttaa harjoituksen rasituksella. Seuraavaa kaavaa käytetään laskemaan keskimääräinen suurin sallittu sydämen lyöntinopeus: 220 - IKÄ. Suurin sallittu sydämen lyöntinopeus vaihtelee henkilöstä toiseen.



VAROITUS

- Varmista, ettet ylitä sydämesi suurinta sallittua lyöntinopeutta harjoituksen aikana. Jos kuulut riskiryhmään, ota yhteys lääkäriin.

Aloittelija 50-60% suurimmasta sallitusta sydämen lyöntinopeudesta

Sopiva aloittelijoille, painonvartijoille, toipilaille, ja henkilöille, jotka eivät ole harjoitelleet pitkään aikaan. Harjoittele vähintään kolme kertaa viikossa, 30 minuuttia kerrallaan.

Edistynyt 60-70% suurimmasta allitusta sydämen lyöntinopeudesta

Sopiva henkilöille, jotka haluavat parantaa ja ylläpitää kuntoaan. Harjoittele vähintään kolme kertaa viikossa, 30 minuuttia kerrallaan..

Ekspertti 70-80 % suurimmasta sallitusta sydämen lyöntinopeudesta

Sopiva kunnoltaan erittäin hyvälle henkilöille, jotka ovat tottuneet pitkäkestoisiin harjoituksiin.

Käyttö

Tukijalkojen säätäminen

Laite on varustettu 2 tukijalalla. Tukijalkoja voidaan säätää, jos laite ei ole vakaa.

- Käännä tukijalkoja tarpeen mukaan, jotta laite on vakaasti lattialla.
- Lukitse tukijalat kiristämällä lukkomutterit.



ILMOITUS

- Laite on vakain, kun kaikki tukijalat on kierretty täysin sisään. Tämän vuoksi, aloita laitteen säätäminen vaakasuoraan kiertämällä kaikki tukijalat ensin täysin sisään, ennen kuin kierrät tarvittavia jalkoja ulospäin laitteen saamiseksi vakaaksi.

Säädä vastus

Jos haluat korottaa tai vähentää vastus, säädä veden taso.

- Lisää vettä on enemmän vastustuskykyä.
- Vähemmän vettä on vähemmän vastustuskykyä.

Vesisäiliön asteikko auttaa löytämään sopivan vastuksen ja asettamaan sen.

Jalkatukiensäätäminen

- Tartu jalkatuen liukuvaan osaan ja liu'uta lös tai alas. Symbolit A ~ F ovat suuntaantavia oikeaa pituutta määritettäessä.
- Aseta tuki kiinnitystappien päälle ja paina tiukasti, jotta se lukittuu paikoilleen.



VAROITUS

- Aina ennen harjoitusta: kiinnitä jalkasi jalkatukien hihnoilla ja varmista, että jalkatuet on lukittu paikoilleen

Soutaminen

	Aloitusasento Istu etunojassa selkä ja kädet suorina
	Liike Työnnä jaloilla itseäsi taaksepäin. Pidä kädet suorina..
	Vedon viimeistely Jatka liikettä niin, että koukistetut käsivartesi ohittavat lantionseudun.

	Loppuasento Taivu ylävartalostasi eteenpäin, lantiosi ylle.
	Uusi liike Palaa aloitusasentoon ja toista.

Liikkeen aloitus

Tartu soutuapulaan ja aloita liike hieman etunojassa, polvet koukussa ja käsivarret suorina. Työnnä jaloilla voimakkaasti taaksepäin suoristaen samalla selkäsi ja polvet.

Vetoliike

Jatka liikettä kevyeen takanojaan. Koukista samalla käsivarsia niin, että käsivarret ohittavat lantiosi.

Paluu alkuasentoon

Palaa takaisin alkuasentoon ja toista liike.



VAROITUS

- Ennen harjoittelun aloittamista käy varmistuttamassa terveydentilasi lääkärillä.
- Jos harjoittelun aikana tunnet pahoinvointia, huimausta tai muita epänormaaleja oireita, keskeytä harjoittelu välittömästi.

Ohjauspaneeli (kuva. E)



HUOMAUTUS

- Pidä ohjauspaneeli pois suorasta auringonvalosta.
- Kuivaa ohjauspaneelin pinta, jos siihen on tippunut hikeä.
- Älä nojaa ohjauspaneeliin.
- Kosketa näyttöä vain sormenpäälläsi. Älä kosketa näyttöä kynsilläsi tai terävillä esineillä.



ILMOITUS

- Ohjauspaneeli siirtyy valmiustilaan, kun laitetta ei ole käytetty 4 minuuttiiin.

Näytön toimintojen selitykset

Aika (Time)

- Jos tavoitearvoa ei ole määritetty, ajan arvo kasvaa.
- Kun määritetään tavoitearvo, aika alkaa harjoitusaikatavoitteesta ja etenee nolnaan, minkä jälkeen kuuluu tai näkyy hälytys.
- Ellei monitorille lähetetä mitään signaalia 4 sekuntiin harjoituksen aikana, harjoitusajan mittaus pysähtyy
- Näyttöalue: 0:00~99:59
- Tavoitealue: 0:00~99:00 (± 01:00)

Harjoitusaika / 500 m (Time/ 500m)

Tarkoittaa aikaa, joka tarvitaan tämänhetkiselä souuteholla harjoitukseen, kun harjoitusmatka on 500 metriä.

Harjoitusmatka (Distance)

- Jos tavoitearvoa ei ole määritetty, harjoitusmatkan arvo kasvaa.
- Kun määritetään tavoitearvo, harjoitusmatkan arvo etenee tavoitematkasta nolnaan, minkä jälkeen kuuluu tai näkyy hälytys.
- Näyttöalue 0~9999
- Tavoitealue 10 ~ 9990 (± 10)

Kalorit (Calorie)

- Jos tavoitearvoa ei ole määritetty, kalorimäärä kasvaa.
- Kun määritetään tavoitearvo, kalorimäärän arvo etenee tavoitearvosta nolnaan, minkä jälkeen kuuluu tai näkyy hälytys.
- Näyttöalue: 0~9990.
- Tavoitealue 10 ~ 9990 (± 10)



HUOM

- Nämä tiedot muodostavat suurpiirteisen oppaan eri harjoitusjaksojen vertailuun. Niitä ei voi käyttää lääketieteellisessä hoidossa.

Pulssi (Pulse)

- Tämänhetkinen pulssi näkyy kuuden sekunnin kuluttua siitä, kun konsoli on havainnut sen.
- Jos pulssisignaalia ei näy kuuteen sekuntiin, konsolin näytölle tulee "P".
- Pulssihälytys kuuluu, kun nykyinen pulssi ylittää tavoitepulssin.
- Alue: 0-30 ~ 230 BPM
- Näyttöalue: 0 ~ 230 BPM
- Tavoitealue: 30 ~ 230 BPM (± 1)

SPM

- SPM tarkoittaa vetoja minuutissa (Strokes per Minute), ja tässä kohdassa näkyy keskimääräinen vetomäärä minuutissa harjoituksen aikana.
- Näyttöalue: 0 ~ 999

Vedot (Strokes)

- Jos tavoitearvoa ei ole määritetty, vetomäärä kasvaa.
- Kun määritetään tavoitearvo, vetomäärän arvo etenee tavoitearvosta nolnaan, minkä jälkeen kuuluu tai näkyy hälytys. (Näytöllä näkyy "jäljellä oleva aika")
- Näyttöalue: 0 ~ 9999
- Tavoitealue: 10 ~ 9990 (± 10)

Vedot yhteensä (Total strokes)

- Näyttää kaikkien harjoitusten yhteenlasketun vetomäärän.
- Tätä arvoa ei voi nolлата muuten kuin vaihtamalla paristot.
- Näyttöalue: 0 ~ 9999

Painikkeiden selitykset

Set

- Paina SET-painiketta, kun haluat valita toimintoja: MANUAALIOHJELMA, INTERVALLIOHJELMA, TAVOITE
- Paina SET-painiketta, kun haluat suurentaa arvoa. Paina ja pidä pohjassa painiketta, kun haluat suurentaa arvoa nopeammin.
- AJAN asetusalue: 00:00~99:00 (±1:00)
- VETOJEN asetusalue: 0~9990 (± 10)
- MATKAN asetusalue: 0~9990 (± 10)
- KALORIEN asetusalue: 0~9990 (± 10)
- PULSSIN asetusalue: 0~230 (± 1)

Mode

- Painamalla MODE-painiketta voit valita mittaritoiminnot.
- Paina Mode-painiketta toimintatilassa pysäyttääksesi/keskeyttääksesi harjoituksen.
- Pysäytystilassa voit jatkaa harjoitusta painamalla Mode-painiketta.

Reset

- Asetustilassa voit nolлата nykyisen toiminnon luvut painamalla kerran RESET-painiketta.
- Pysäytystilassa voit nolлата harjoitustilan ja palata ohjelmointitilaan painamalla "RESET"-painiketta kerran.
- Nollaa kaikki toimintoluvut ja käynnistä konsoli uudelleen painamalla RESET-painiketta yhtäjaksoisesti kahden sekunnin ajan.

Toiminto

Laitteen kytkeminen päälle

- Kytke lepotilassa oleva konsoli päälle painamalla mitä tahansa näppäintä.
- Kytke lepotilassa oleva konsoli päälle aloittamalla harjoitus.

Laitteen kytkeminen pois päältä

Jos monitorille ei lähetetä mitään signaalia neljään minuuttiin, se siirtyy automaattisesti LEPOTILAAN. (Käynnissä olevan harjoituksen tiedot menetetään.)



VAROITUS

- Suosittelemme paristojen poistamista konsolista, jos laite on pitkään käyttämättä.

Ohjelmat

Manuaalinen tila

- Avaa ohjelmanvalintatila painamalla "Mode"-painiketta, valitse "Manuaaliohjelma" "Set"-painikkeen avulla ja vahvasta painamalla "Mode"-painiketta.

Intervalliohjelma MODE

- Avaa ohjelmanvalintatila painamalla "Mode"-painiketta, valitse "Intervalliohjelma" "Set"-painikkeen avulla ja vahvasta painamalla "Mode"-painiketta.
- Valitse 10/20, 20/10 tai Custom-tila painamalla "Set"-painiketta ja vahvasta painamalla "Mode"-painiketta.

Valittu 10/20.

- Konsoli näyttää kolme sekuntia kestävän lähtölaskennan ennen ohjelman käynnistämistä.
 - » 10 sekunnin harjoitusaika etenee nolllaan.
 - » 20 sekunnin lepoaika etenee nolllaan.
 - » Vaiheet 1 ja 2 vuorottelevat 8 kertaa.

Valittu 20/10.

- Konsoli näyttää kolme sekuntia kestävän lähtölaskennan ennen ohjelman käynnistämistä.
 - » 20 sekunnin harjoitusaika etenee nolllaan.
 - » 10 sekunnin lepoaika etenee nolllaan.
 - » Vaiheet 1 ja 2 vuorottelevat 8 kertaa.

Valittu Custom-tila.

- SET ROUND -teksti vilkkuu, valitse ohjelman prosessien määrä painamalla "Set"-painiketta ja vahvasta painamalla "Enter"-painiketta. (Alue 1 ~ 99 ± 1)
- SET WORK -teksti vilkkuu, valitse harjoitusaika painamalla "Set"-painiketta ja vahvasta painamalla "Enter"-painiketta (Alue: 0:05~10:00 min. ± 0:01 sek.)

- SET REST -teksti vilkkuu, valitse lepoaika painamalla "Set"-painiketta ja vahvasta painamalla "Enter"-painiketta (Alue: 0:05~10:00 min. ± 0:01 sek.)
- Konsoli näyttää kolme sekuntia kestävän lähtölaskennan ennen ohjelman käynnistämistä.
 - » Ennalta asetettu harjoitusaika etenee nolllaan.
 - » Ennalta asetettu lepoaika etenee nolllaan.
 - » Vaiheet 1 ja 2 vuorottelevat niin monta kertaa kuin ennalta on asetettu.

Tavoitetila

- Avaa ohjelmanvalintatila painamalla "Mode"-painiketta, valitse "TAVOITE" "Set"-painikkeen avulla ja vahvasta painamalla "Mode"-painiketta.

Aikatavoite.

Paina "Mode"-painiketta aikatavoitteen asettamista varten.

Aseta tavoiteaika painamalla "Set"-painiketta. (Tavoite: 0:00~99:00 min. ± 1:00 min.)

Vetotavoite.

Paina "Mode"-painiketta vetotavoitteen asettamista varten.

Aseta vetotavoite painamalla "Set"-painiketta. (Tavoite: 10~9990 min. ± 10.)

Pulssitavoite.

Paina "Mode"-painiketta pulssitavoitteen asettamista varten.

Aseta pulssitavoite painamalla "Set"-painiketta. (Tavoite: 30~230 min. ± 1.)

Kalorimäärätavoite.

Paina "Mode"-painiketta kalorimäärätavoitteen asettamista varten.

Aseta kalorimäärätavoite painamalla "Set"-painiketta. (Tavoite: 10~9990 min. ± 10.)

Harjoitusmatkatavoite.

Paina "Mode"-painiketta harjoitusmatkatavoitteen asettamista varten.

Aseta harjoitusmatkatavoite painamalla "Set"-painiketta. (Tavoite: 10~9990 min. ± 10.)

Kun haluttu tavoite on asetettu, konsoli käynnistää harjoituksen. Tavoitearvo etenee alaspäin, kun muut parametrit etenevät ylöspäin.



HUOM

- Tavoitteita voi asettaa vain yhden.

Puhdistus ja huolto



VAROITUS

- Älä käytä liuottimia laitteen puhdistukseen.
- Puhdista laite pehmeällä, imukykyisellä kankaalla jokaisen käytön jälkeen.
- Tarkista säännöllisesti kaikkien ruuvien ja mutterien olevan tiukasti kiinni.
- Voitele nivelet tarvittaessa.

Vesi värjäytyy tai näyttää samealta.

Mahdollinen selitys:

Laite on suorassa auringonvalossa tai vedenkäsittelyohjeita ei ole noudatettu

Ratkaisu:

- Siirrä laite pois suorasta uringonvalosta.
- Lisää vedenkäsittelytabletti tai vaihda säiliön vesi kuten tämän ohjekirjan vedenkäsittelyohjeissa neuvotaan..

Paristojen vaihto

Ohjauspaneeli on varustettu 2:llä AA-paristolla ohjauspaneelin takaosassa.

- Poista kansi.
- Poista vanhat paristot.
- Laita uudet paristot paikalleen. Varmista paristojen olevan asennettu (+) ja (-) napaisuusmerkintöjen mukaisesti.
- Asenna kansi paikalleen.

Istuimen rullat muuttuvat äänekkäiksi

(Kuva. E-2).

Kun istuimen rullat muuttuvat äänekkäiksi (alkavat kitistä), on suositeltavaa tiputtaa pisara silikonivoiteluainetta vierintäkiskolle, jota pitkin rullat kulkevat harjoituksen aikana.



HUOM

- Älä käytä liikaa voiteluainetta, koska se saa laitteen tuntumaan liukkaalta.

Viat ja häiriöt

Huolimatta jatkuvasti laadunvarmistuksesta laitteessa voi tapahtua yksittäisen osan aiheuttamia vikoja ja häiriöitä. Useimmissa tapauksissa viallisen osan vaihtaminen on riittävää

- Jos laite ei toimi normaalisti, ota välittömästi yhteys jälleenmyyjään.
- Anna jälleenmyyjälle laitteen malli- ja sarjanumero. Kerro ongelman luonne, käyttöolosuhteet ja ostopäivä.

Vianmääritys:

- Nestekidenäytön himmeys on osoitus siitä, että paristot pitää vaihtaa.
- Jos konsoli ei vastaanota signaalia polkemisen aikana, tarkista että johto on liitetty kunnolla.



HUOM

- Kun keskeytät harjoittelun 4 minuutiksi, päänäyttö kytkeytyy pois päältä.
- Jos tietojen esitys näytössä on epätavallista, asenna paristot uudestaan ja katso onko ongelma poistunut.

Kuljetus ja säilytys



VAROITUS

- Vähintään kahden henkilön on kannettava ja siirrettävä laitetta.
- Siirrä laitetta varovasti epätasaisilla pinnoilla. Älä siirrä laitetta yläkertaan pyöriä käyttäen. Suorita siirto kahvatuista kantaen.
- Säilytä laitetta kuivassa, mahdollisimman tasalämpötilaisessa paikassa.

Lisätietoa laitteen omistajalle

Pakkauksen hävittäminen

Lainsäädäntö ohjeistaa meitä vähentämään kaatopaikoille toimitetun jätteen määrää. Sen vuoksi pyydämme sinua toimittamaan kaikki pakkausjätteet sitä varten tarkoitettuun kierrätyspisteeseen.

Laitteen hävittäminen käyttöiän päättyessä

Me Tunturilla toivomme, että iloitset kuntolaitteestasi vuosia. Jokainen kuntolaite tulee kuitenkin aikanaan oman käyttöikänsä loppuun. Kotitalouksien sähkö- ja elektroniikkalaiteromua käsittelevien eurooppalaisten määräysten (WEEE) mukaan sinun kuuluu toimittaa kuntolaitteesi sitä varten tarkoitettuun keräyspaikkaan.

Tekniset tiedot

Parametri	Mittayksikkö	Arvo
Pituus	cm inch	228.0 89.8
Leveys	cm inch	56.0 21,9
Korkeus	cm inch	65.6 25,8
Paino	kg lbs	50.4 111,0
Suurin sallittu käyttäjän paino	kg lbs	135 300
Paristokoko		AA

Takuu

Tunturi-kuntolaitteen omistajan takuu

Takuuehdot

Kuluttajalla on sovellettavan kulutustavaroiden kauppaa koskevan kansallisen lainsäädännön mukaiset lailliset oikeudet, eikä takuulla rajoiteta näitä oikeuksia. Omistajan Takuu on voimassa vain, mikäli laitetta käytetään Tunturi New Fitness BV:n kyseiselle laitteelle sallimassa käyttöympäristössä. Kunkin laitteen sallittu käyttöympäristö mainitaan laitteen käyttöohjeessa.

Takuuehdot

Takuuehdot tulevat voimaan tuotteen ostopäivästä lukien. Takuuehdot voivat olla erilaiset eri maissa, joten pyydä takuuehdot paikalliselta jälleenmyyjältä.

Takuun kattavuus

Missään olosuhteissa Tunturi New Fitness BV tai Tunturi-jälleenmyyjä ei vastaa ostajalle mahdollisesti aiheutuvista välillisistä vahingoista, kuten käyttöhyödyn tai tulojen menetyksestä taikka muista taloudellisista seurausvahingoista.

Takuun rajoitukset

Takuu kattaa työstä ja materiaalista johtuvat virheet kuntolaitteessa, joka on alkuperäisessä kokoonpanossaan.

Takuu koskee vain virheitä, jotka ilmenevät normaalissa ja laitteen mukana tulleen ohjekirjan mukaisessa käytössä edellyttäen, että Tunturin asennus-, huolto- ja käyttöohjeita on noudatettu. Tunturi New Fitness BV:n ja Tunturin jälleenmyyjät eivät vastaa virheistä, jotka aiheutuvat heidän vaikutusmahdollisuuksiensa ulkopuolella olevista seikoista. Takuu on voimassa vain niissä maissa, joissa Tunturi New Fitness BV:llä on valtuutettu maahantuoja. Takuu ei koske sellaisia kuntolaitteita tai osia, joita on muutettu ilman Tunturi New Fitness BV:n suostumusta. Takuu ei koske virheitä, jotka johtuvat luonnollisesta kulumisesta, virheellisestä käytöstä, käytöstä olosuhteissa, joihin kuntolaitetta ei ole tarkoitettu, korroosiosta tai lastaus- tai kuljetusvahingoista.

Takuu ei koske käyttöäniä, jotka eivät olennaisesti haittaa laitteen käyttöä eivätkä johdu laitteessa olevasta virheestä.

Takuu ei myöskään sisällä kunnossapitotoimenpiteitä, kuten puhdistusta, voitelua tai sen osien normaalia tarkistamista, eikä sellaisia asennustoimenpiteitä, jotka asiakas voi suorittaa itse ja jotka eivät edellytä erityistä kuntolaitteen purkamista / kokeamista. Tällaisia toimenpiteitä ovat esim. mittareiden, polkimien tai muiden vastaavien yksinkertaisten osien vaihdot. Muun kuin valtuutetun Tunturi-edustajan suorittamia takuukorjauksia ei korvata. Laitteen käyttöohjeen noudattamatta jättäminen aiheuttaa takuun raukeamisen.

Valmistajan vakuutus

Tunturi New Fitness BV vakuuttaa tuotteen täyttävän seuraavien standardien ja direktiivien vaatimukset: EN 957 (HB), 89/336/ETY. Tässä tuotteessa on sen vuoksi CE-merkki..

04-2017

Tunturi New Fitness BV
Purmerweg 1
1311 XE Almere
Alankomaat

Vastuuvapauslauseke

© 2017 Tunturi New Fitness BV
Kaikki oikeudet pidätetään.

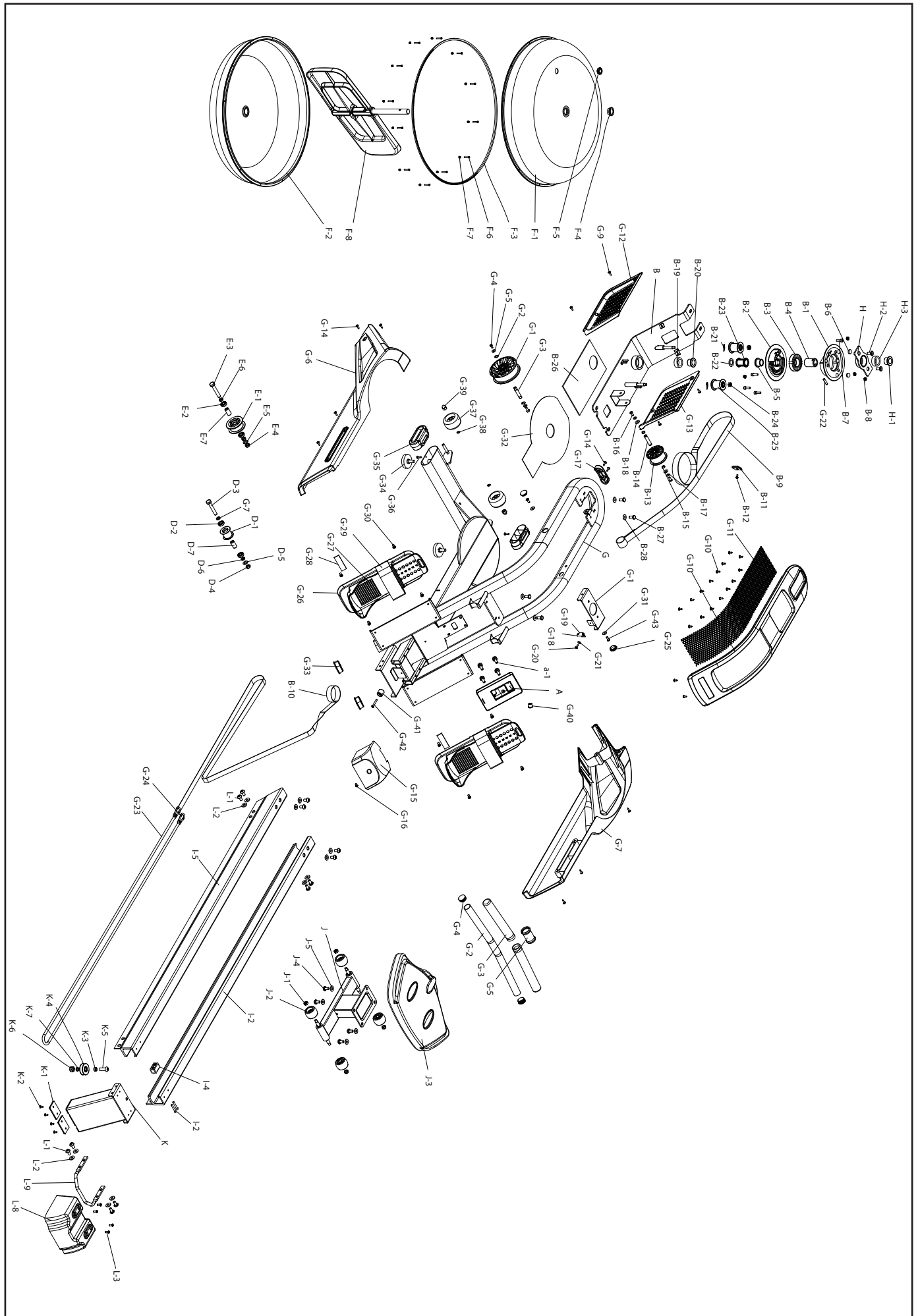
Tuote ja käyttöopas saattavat muuttua. Teknisiä tietoja saatetaan muuttaa ilman eri ilmoitusta.

No.	Description	Spec.	Q'ty	Unit
A	Console		1	PCS
A-1	Screw	M5*12L	4	PCS
B	Fixed Plate		1	PCS
B-1	Weaving Wheel(Upper)		1	PCS
B-2	Weaving Wheel(Lower)		1	PCS
B-3	Bearing	Ø62*Ø30*16L 6206	1	PCS
B-4	Sleeve	Ø30*Ø19*40L	1	PCS
B-5	Powder Copper Bushing	Ø33.3*Ø19*19L	1	PCS
B-6	Magent	Ø15	3	PCS
B-7	Screw	M6*20L	4	PCS
B-8	Nylon Nut	M6	4	PCS
B-9	Weaving	3600mm*1.5*25	1	PCS
B-10	Weaving	2500mm*1*20	1	PCS
B-11	U-Type plate		1	PCS
B-12	Screw	M5*10L	1	PCS
B-13	Small Roller	Ø66.26*36.54	1	PCS
B-14	Weaving Axle	Ø10*47L	1	PCS
B-15	C-Type Clip	Ø10.2	2	PCS
B-16	Allen Bolt	M6*14L	2	PCS
B-17	Spring Washer	M6	2	PCS
B-18	Flat Washer	Ø6*Ø13	2	PCS
B-19	Rubber Gasket	Ø36.5*12.8L	1	PCS
B-20	Powder Copper Bushing	Ø33.3*Ø19*19L	1	PCS
B-21	Wave washer	Ø10.5*Ø15	2	PCS
B-22	Flat Washer	Ø20*Ø25	1	PCS
B-24	Nylon Nut	M8	2	PCS
B-25	Weaving Wheel(Small)	Ø40*40	2	PCS
B-26	Eva Double-Sided Tape	150*240	1	PCS
B-27	Screw	M8*P1.25*18L	4	PCS
B-28	Flat Washer	Ø8*Ø19	4	PCS
C	Weaving Assembly	Incl. C-1 ~ C-5	1	SET
C-1	Big Roller	Ø107*43.69	1	PCS
C-2	C-Type Clip	Ø10.2	2	PCS
C-3	Weaving Axle	Ø10*52L(M6)	1	PCS
C-4	Screw	M6*P1.0*16L	2	PCS
C-5	Flat Washer	Ø6*Ø13	2	PCS
D	Small Weaving Assembly	Incl. D-1 ~ D-7	1	SET
D-1	Weaving Wheel(Small)	Ø35*30 Incl. 2* bearing 6900RS)	1	SET
D-2	Bearing	6900RS	2	PCS
D-3	Screw	3/8"*61mm	1	PCS
D-4	Nylon Nut	3/8"	1	PCS
D-5	Flat Washer	Ø10*Ø18	1	PCS
D-6	Bushing	Ø10*Ø14*3mm	2	PCS
D-7	Bushing	Ø10.5*Ø13.5*18mm	1	PCS
E	Big Weaving Assembly	Incl. E-1 ~ E-7	1	SET

No.	Description	Spec.	Q'ty	Unit
E-1	Big Roller	Ø65*26W	1	PCS
E-2	Bearing	6900RS	2	PCS
E-3	Screw	3/8"*61mm	1	PCS
E-4	Nylon Nut	3/8"	1	PCS
E-5	Flat Washer	Ø10*Ø18	1	PCS
E-6	Bushing	Ø10*Ø14*5mm	2	PCS
E-7	Bushing	Ø14*Ø10.5*14.1mm	1	PCS
F	Tank Assembly	Incl. F-1 ~ F-8	1	SET
F-1	Water Tank Upper	Ø550	1	PCS
F-2	Water Tank Lower	Ø550	1	PCS
F-3	Rubber Band		1	PCS
F-4	Rubber Tube	Ø30	1	PCS
F-5	Rubber Plug	Ø30	1	PCS
F-6	Screw	M3*25	12	PCS
F-7	Nylon Nut	M3	12	PCS
F-8	Fan Blade	19*344L	1	PCS
G	Mainframe		1	PCS
G-1	Fixed Plate		1	PCS
G-2	Griasp Painted		1	PCS
G-3	Foam Grip	Ø22.2*207	2	PCS
G-4	End Cap	Ø1"	2	PCS
G-5	Griasp Cover		1	PCS
G-6	Cover Left		1	PCS
G-7	Cover Right		1	PCS
G-8	Main Frame Cover(Upper)		1	PCS
G-9	Screw	M4*14L	4	PCS
G-10	Screw	M4*8L	17	PCS
G-11	Aluminum Mesh	193*136	1	PCS
G-12	Main Frame Cover(Left)		1	PCS
G-13	Main Frame Cover(Right)		1	PCS
G-14	Screw	M4*16	13	PCS
G-15	Rail Cover		1	PCS
G-16	Screw	M5*14	1	PCS
G-17	Foot Pad		1	PCS
G-18	Sensor Wire	850mm 2P	1	PCS
G-19	Sensor Holder		1	PCS
G-20	Screw	M4*10	1	PCS
G-21	Flat Washer	Ø5*Ø10	1	PCS
G-22	Cotter Pins	Ø6.3*28	1	PCS
G-23	Elastic Rope	Ø9*2200 (with 2pcs large fastening buckle)	1	PCS
G-24	Fixed Hook		1	PCS
G-25	Console Plug	Ø22.2	2	PCS
G-26	Pedal		2	PCS
G-27	Pedal Mat		2	PCS
G-28	Eva Double-Sided Tape	69*19	2	PCS

No.	Description	Spec.	Q'ty	Unit
G-29	Pedal Strap	550L	2	PCS
G-30	Allen Bolt	M6*14L	8	PCS
G-31	Flat Washer	Ø8*Ø19	2	PCS
G-32	Eva Double-Sided Tape		1	PCS
G-33	Plug	30*60	2	PCS
G-34	Adjustable Foot Pad	Ø50	2	PCS
G-35	Foot End Cap		2	PCS
G-36	Screw	3/16 *1/2	2	PCS
G-37	Transportation Wheel		2	PCS
G-38	C-Type Clip	Ø8	2	PCS
G-39	Bolt	M8	2	PCS
G-40	Cap		1	PCS
G-41	Stopper	Ø20*19	1	PCS
G-42	Screw	M5*35	1	PCS
G-43	Screw	M8*12L	2	PCS
H	Fixed Plate Painted		1	PCS
H-1	Powder Copper Bushing	Ø33.3*Ø19*19L	1	PCS
H-2	Screw	M8*16	2	PCS
H-3	Rubber Gasket	Ø36.5*12.8L	1	PCS
I	Aluminum Rail Assembly	Incl. I-1 ~ I-5	1	SET
I-1	Right Aluminum Rail	46*80*1350	1	PCS
I-2	Screw	M5*30	2	PCS
I-4	Stopper		1	PCS
I-5	Left Aluminum Rail	46*80*1350	1	PCS
J	Seat mounting Assembly	Incl. J-1 ~ J-5	1	PCS
J-1	Nylon Nut	M8	4	PCS
J-2	Roller for seat		4	PCS
J-3	Saddle		1	PCS
J-4	Screw	M8*16L	4	PCS
J-5	Flat Washer	Ø8*Ø19	4	PCS
K	Rear Foot Painted Assembly	K-1 ~ K-7	1	PCS
K-1	Rear Stabilizer Foot Pad	58*34	2	PCS
K-2	Screw	M5*12L	4	PCS
K-3	Bushing	Ø10*Ø14*6mm	1	PCS
K-4	Roller	Ø42*13	1	PCS
K-5	Allen Bolt	M10*30	1	PCS
K-6	Nylon Nut	M10	1	PCS
K-7	Bushing	Ø10*Ø14*3mm	1	PCS
K-8	Cover for Rail		1	PCS
K-9	Handgrip for Rail	Ø10	1	PCS
L	Hardware Kit	Incl. L-1 ~ L-5	1	SET
L-1	Screw	M8*16L	12	PCS
L-2	Flat Washer	Ø8*Ø19	12	PCS
L-3	Screw	M5*14	4	PCS
L-4	Allen Key	50*90	1	PCS
L-5	Box Spanner		1	PCS

No.	Description	Spec.	Q'ty	Unit
	Water purification		1	PCS
	Pump		1	PCS
	Lubricating oil		1	PCS





Tunturi New Fitness BV

Purmerweg 1 NL - 1311 XE Almere

P.O. Box 60001 NL - 1320 AA Almere

The Netherlands

www.tunturi.com

info@tunturi.com

